



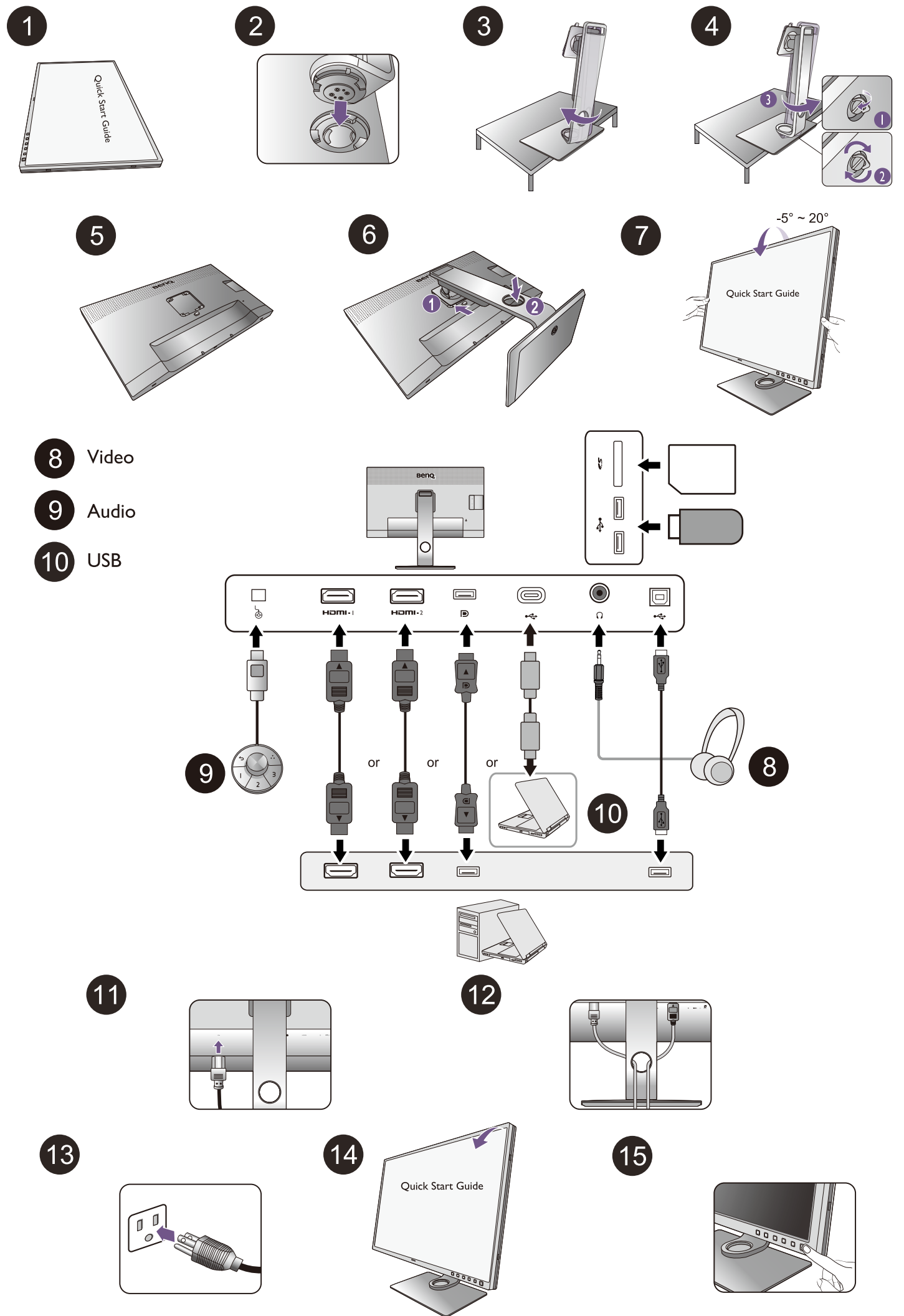
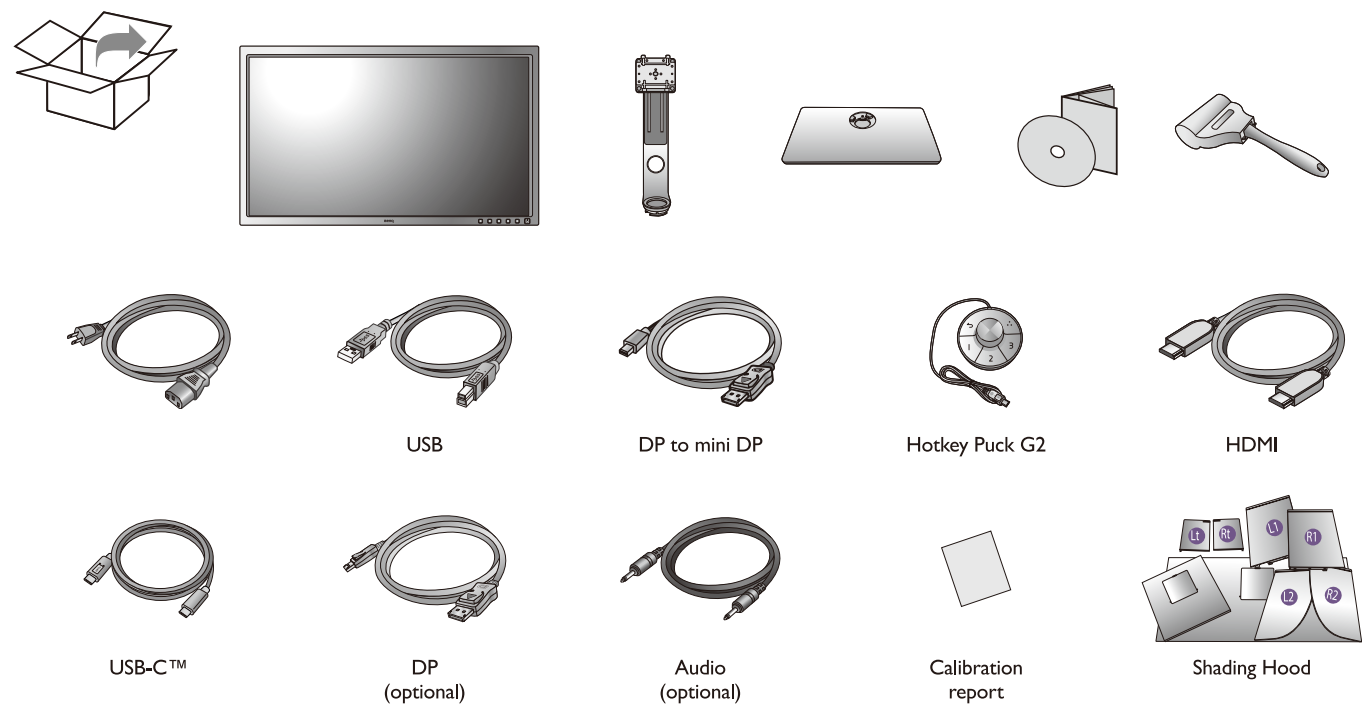
LCD Monitor Quick Start Guide

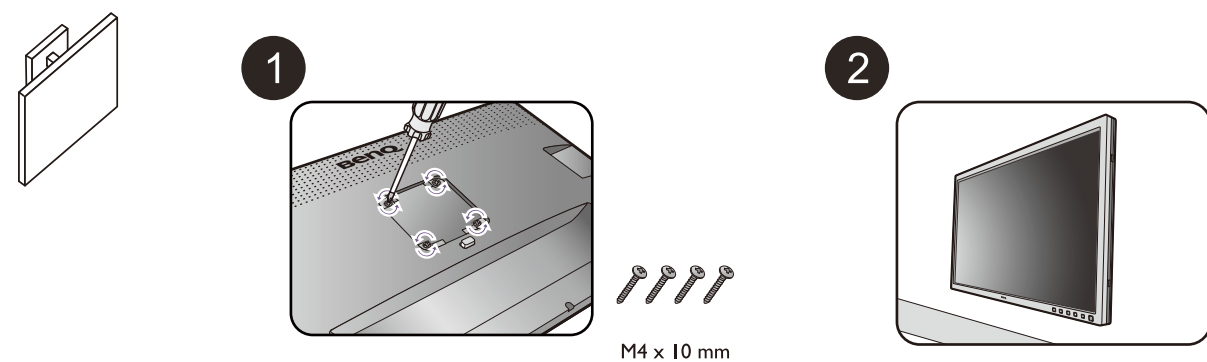
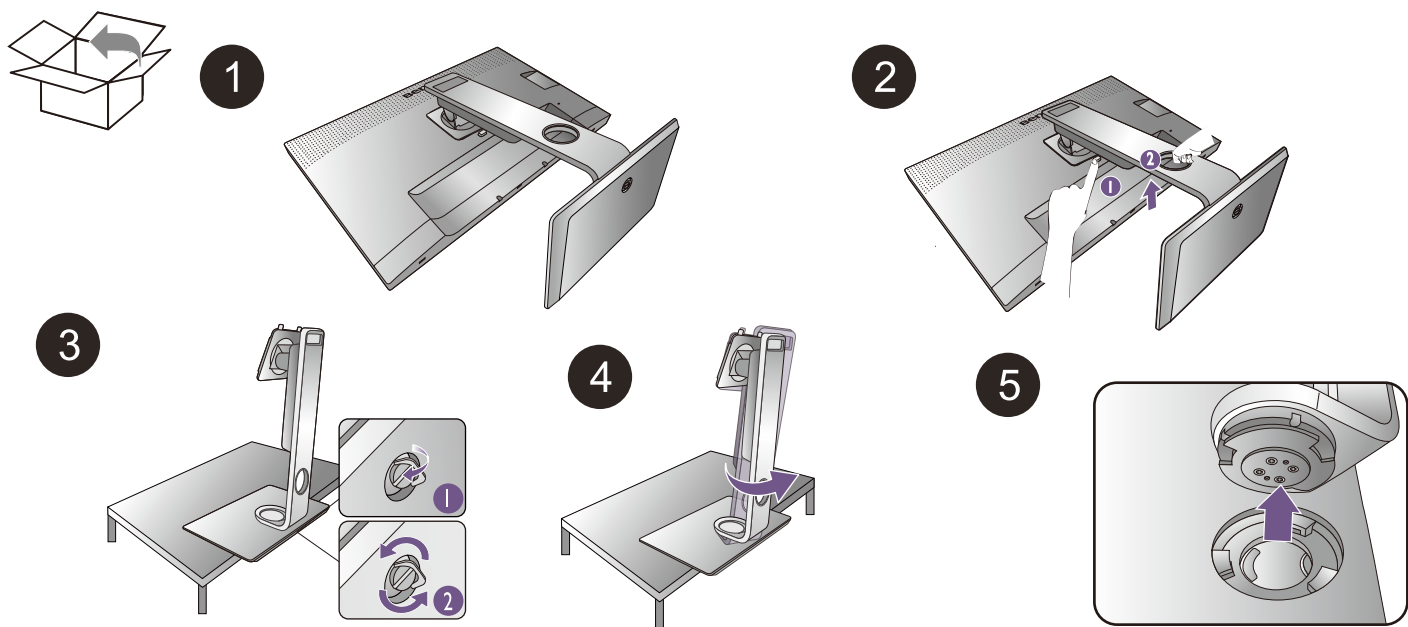
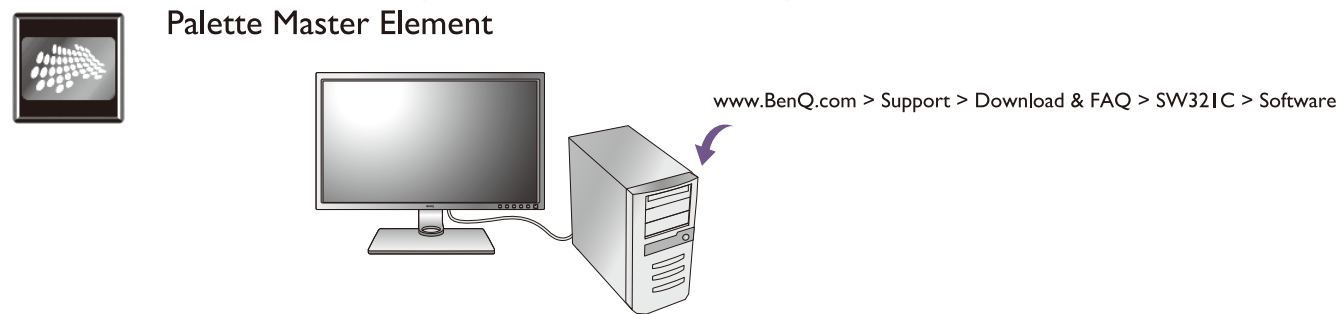
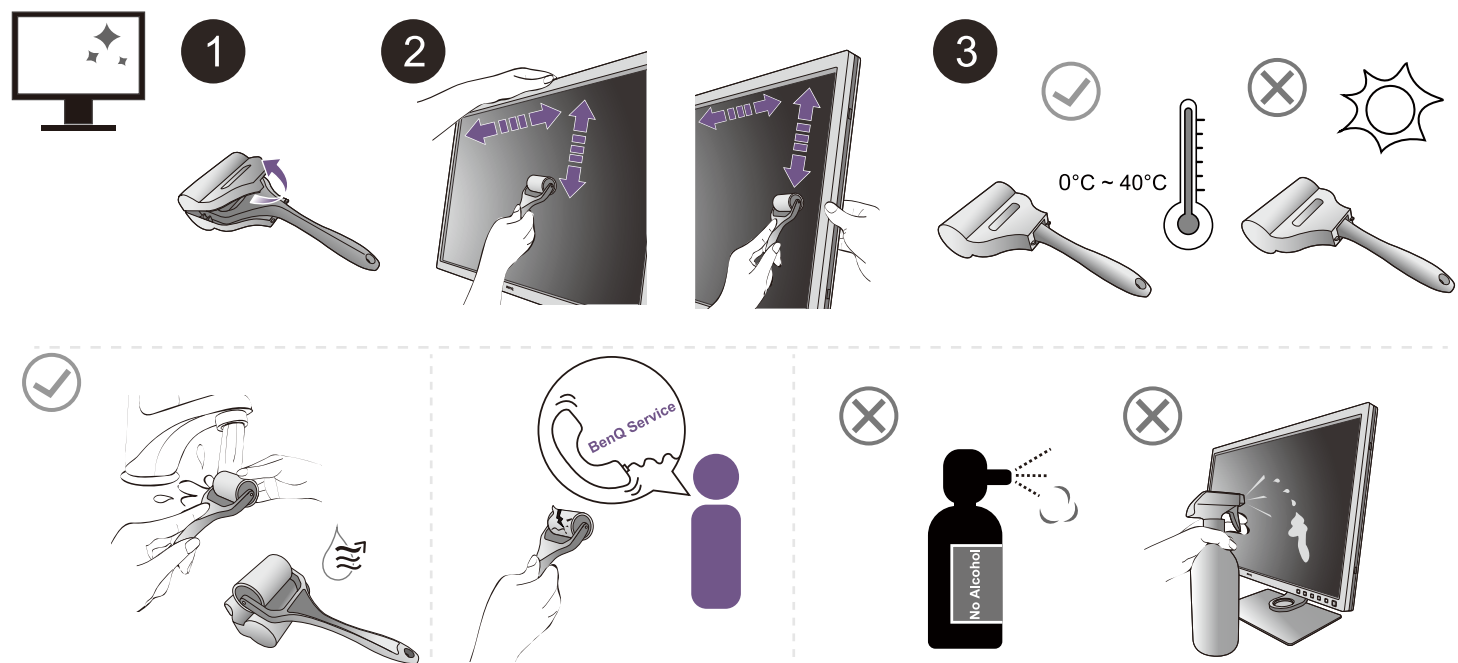
PhotoVue Photographer Monitor | SW Series



DN: SW321-Q-V0

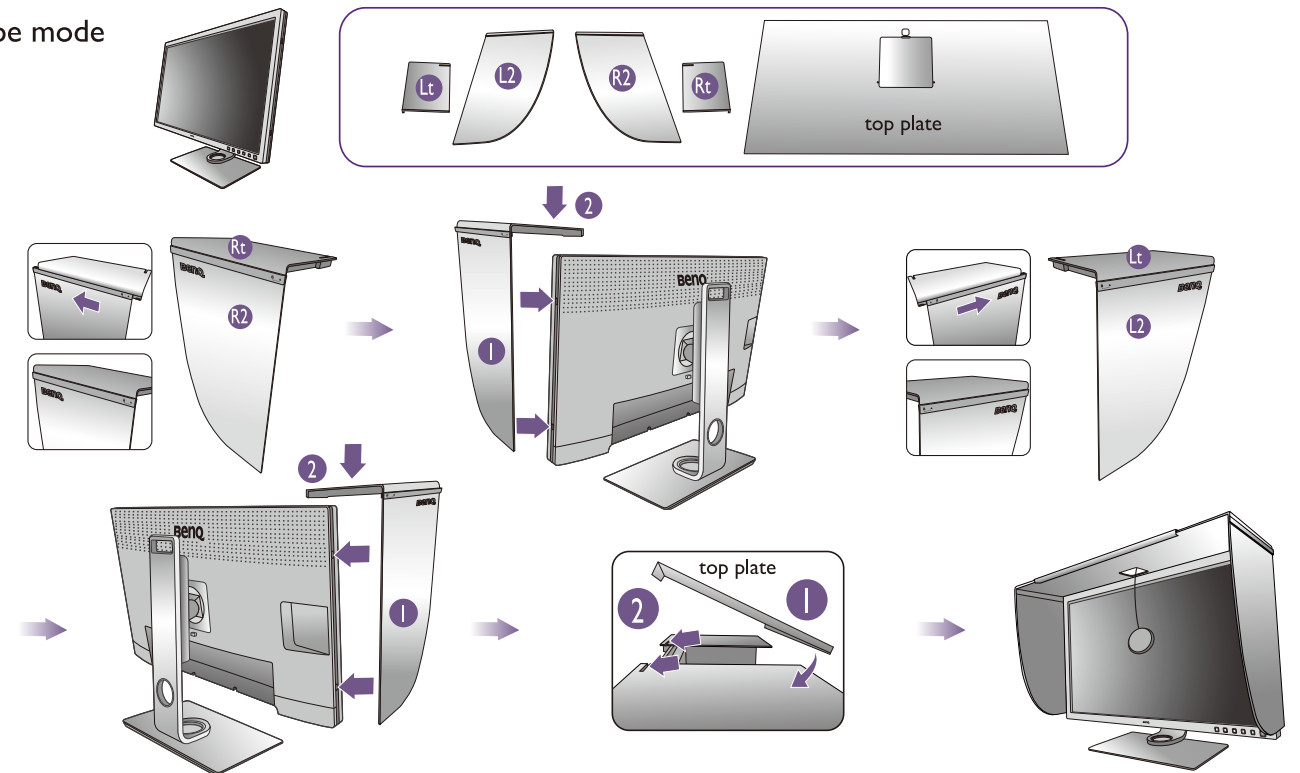
© 2019 BenQ Corporation. All rights reserved. Rights of modification reserved.



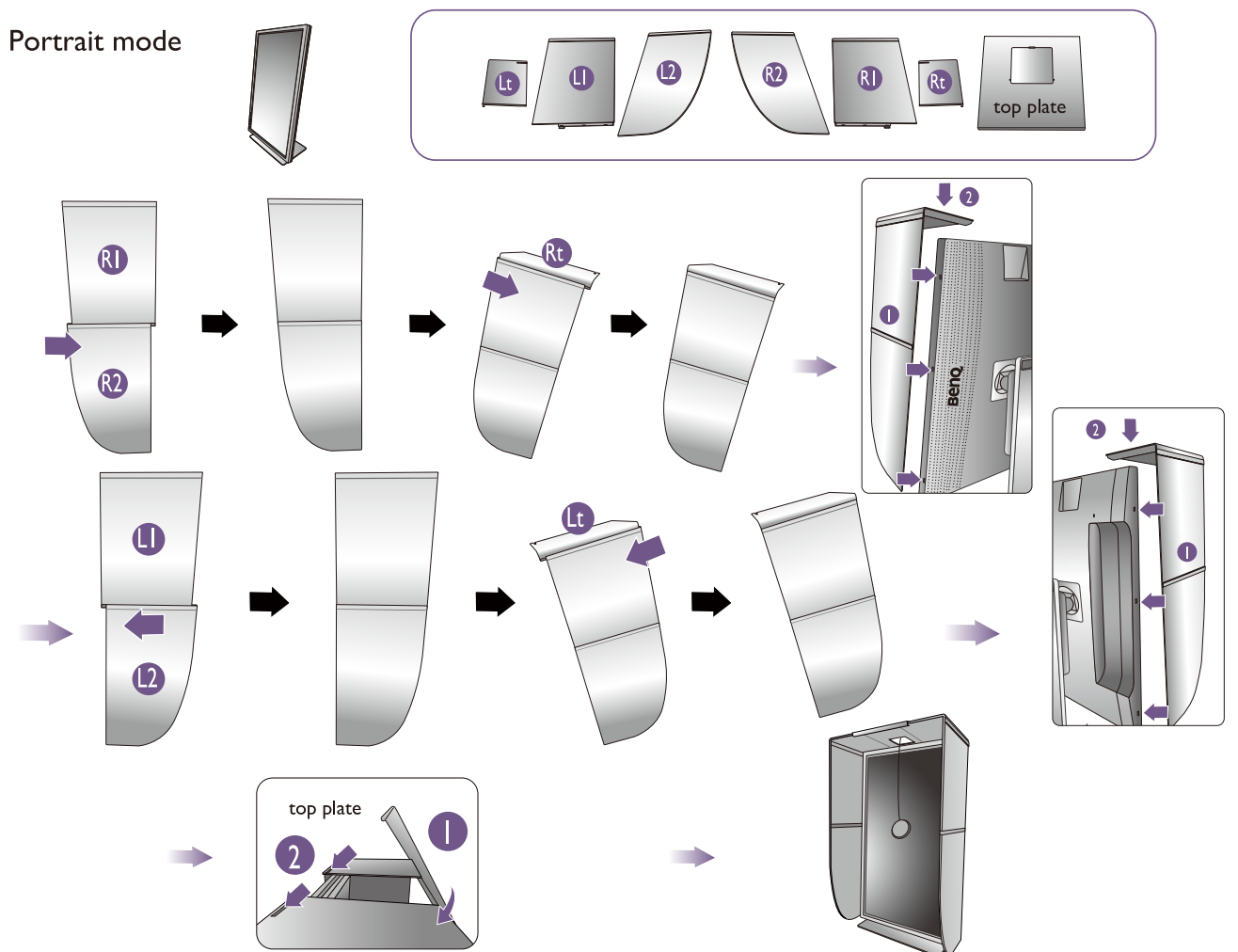


How to install the shading hood (optional step)

Landscape mode



Portrait mode



www.BenQ.com > Support > Download & FAQ > SW321C



Shading Hood



Hotkey Puck G2

