

ZEC500

Enterprise Computer



ZEBRA

Quick Start Guide

2025/12/04

ZEBRA and the stylized Zebra head are trademarks of Zebra Technologies Corporation, registered in many jurisdictions worldwide. All other trademarks are the property of their respective owners. ©2025 Zebra Technologies Corporation and/or its affiliates. All rights reserved.

Information in this document is subject to change without notice. The software described in this document is furnished under a license agreement or nondisclosure agreement. The software may be used or copied only in accordance with the terms of those agreements.

For further information regarding legal and proprietary statements, please go to:

SOFTWARE: zebra.com/informationpolicy.

COPYRIGHTS: zebra.com/copyright.

PATENTS: ip.zebra.com.

WARRANTY: zebra.com/warranty.

END USER LICENSE AGREEMENT: zebra.com/eula.

Terms of Use

Proprietary Statement

This manual contains proprietary information of Zebra Technologies Corporation and its subsidiaries ("Zebra Technologies"). It is intended solely for the information and use of parties operating and maintaining the equipment described herein. Such proprietary information may not be used, reproduced, or disclosed to any other parties for any other purpose without the express, written permission of Zebra Technologies.

Product Improvements

Continuous improvement of products is a policy of Zebra Technologies. All specifications and designs are subject to change without notice.

Liability Disclaimer

Zebra Technologies takes steps to ensure that its published Engineering specifications and manuals are correct; however, errors do occur. Zebra Technologies reserves the right to correct any such errors and disclaims liability resulting therefrom.

Limitation of Liability

In no event shall Zebra Technologies or anyone else involved in the creation, production, or delivery of the accompanying product (including hardware and software) be liable for any damages whatsoever (including, without limitation, consequential damages including loss of business profits, business interruption, or loss of business information) arising out of the use of, the results of use of, or inability to use such product, even if Zebra Technologies has been advised of the possibility of such damages. Some jurisdictions do not allow the exclusion or limitation of incidental or consequential damages, so the above limitation or exclusion may not apply to you.

Model Number

This guide applies to the model number: ZEC500 (Value model: ZEC500-V / Premium model: ZEC500-P)

Unpacking the Device

This topic provides instructions to safely unpack your device.

1. Carefully remove the device from the box.
2. Verify the following items are in the box:
 - ZEC500
 - DC Cable Lock
 - ZEC500 Regulatory Guide
3. Inspect the equipment for any damage. If any equipment is missing or damaged, contact Zebra Support immediately.

Features

The following sections describe the features of the ZEC500-V and ZEC500-P.

ZEC500-V Features

This section describes the features for the ZEC500-V.

Figure 1 Front View Features

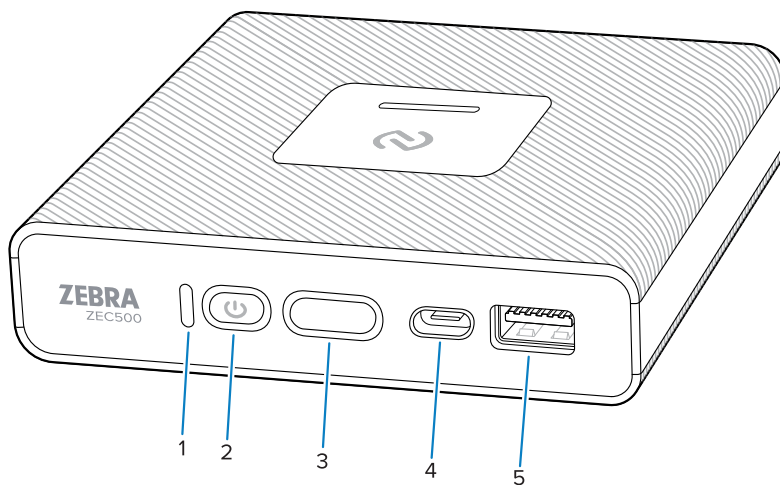


Table 1 Front View Features

Number	Item	Description
1	Power Status LED	Indicates power status. Go to LED Status Light .
2	Power Button	A button used to power on/off the device.
3	Programmable Button	A programmable button that will return to the home screen by default.
4	USB-C 3.2 Port	Supports USB-C peripherals. Supports DisplayPort output up to 3840 x 2160 @ 60fps. Used for ADB.
5	USB-A 3.2 Port	Supports USB-A peripherals.

Figure 2 Rear View

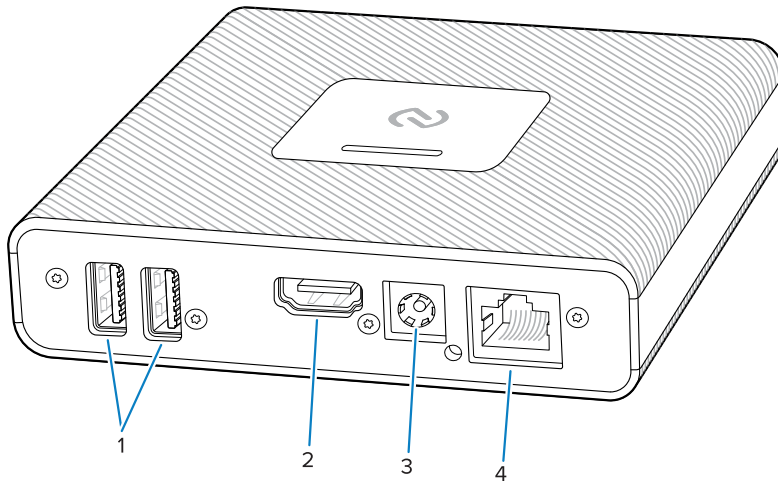


Table 2 Rear View Features

Number	Item	Description
1	USB-A 3.2 Ports	Supports USB-A peripherals.
2	HDMI	Supports HDMI output to external display. Maximum display resolution: 3840 x 2160 @ 30 fps.
3	DC Input	Input for a supported power supply.
4	RJ45 Ethernet Port	Supports speeds up to 1000 Mbps.

Figure 3 Bottom View

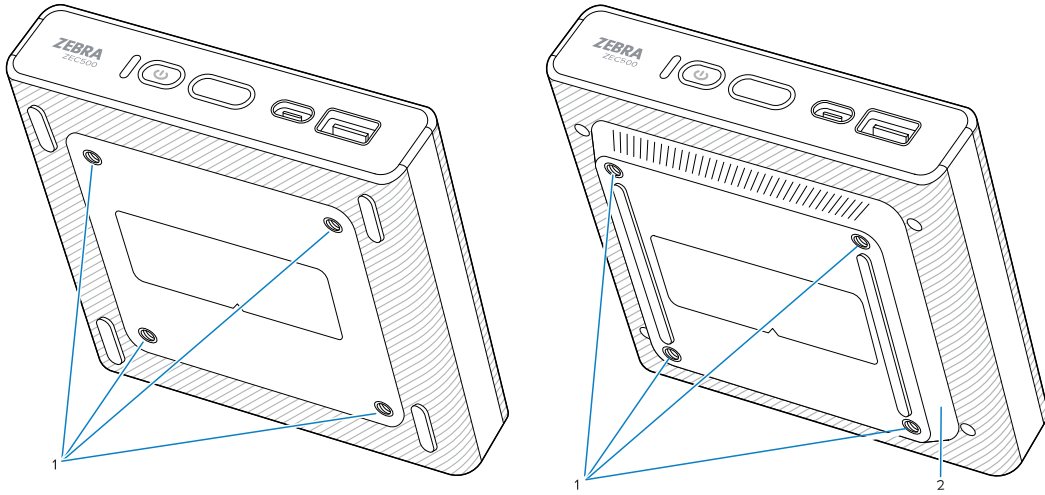


Table 3 Bottom View Features

Number	Item	Description
1	VESA	75x75mm VESA mounting holes.
2	Extended Fan	Extended fan is applicable only to certain SKUs. For more information, refer to the Configurations section in the ZEC500 Enterprise Computer Product Reference Guide.



NOTE: When mounting the device, use four M4 screws with a minimum length of 6mm (0.24 in.).

Figure 4 Top View

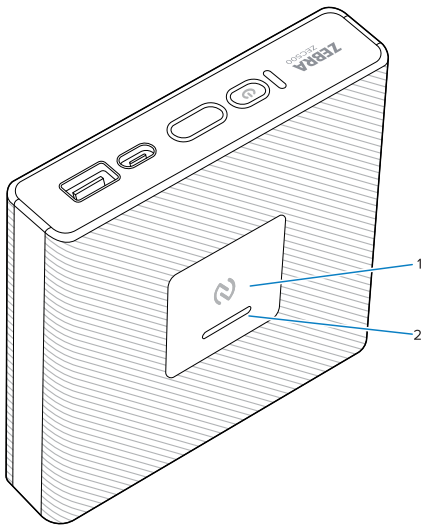


Table 4 Top View Features

Number	Item	Description
1	NFC Antenna	Provides communication with other NFC-enabled devices or NFC-enabled cards.
2	Wireless Workstation Connect Status LED	Go to LED Status Light .

ZEC500-P Features

This section describes the features for the ZEC500-P.

Figure 5 Front View Features

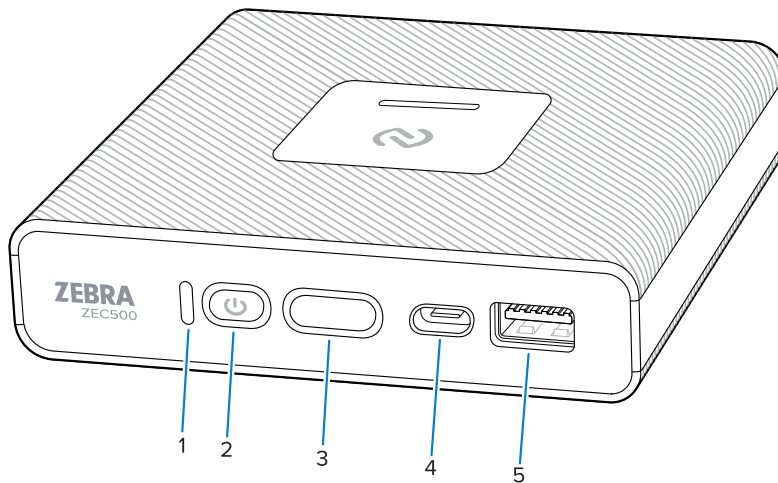


Table 5 Front View Features

Number	Item	Description
1	Power Status LED	Indicates power status. Go to LED Status Light .
2	Power Button	A button used to power on/off the device.
3	Programmable Button	A programmable button that will return to the home screen by default.
4	USB-C 3.2 Port	Supports USB-C peripherals. Supports DisplayPort output up to 3840 x 2160 @ 60fps. Capable of powering the device. Used for ADB.

Table 5 Front View Features (Continued)

Number	Item	Description
5	USB-A 3.2 Port	Supports USB-A peripherals.

Figure 6 Rear View

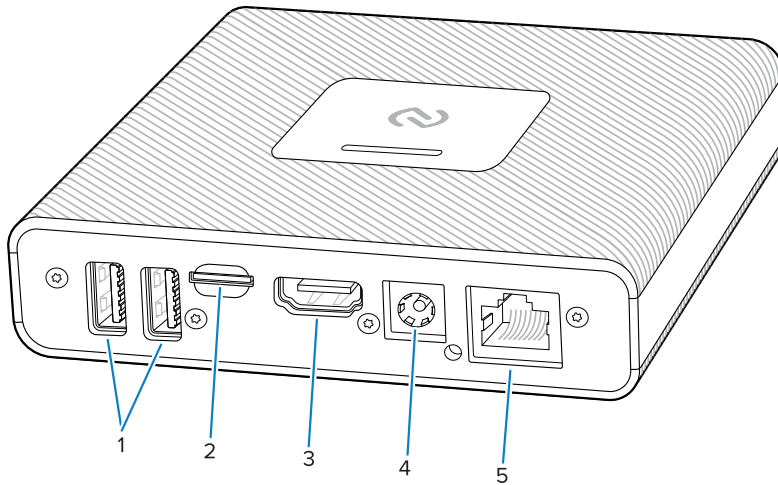


Table 6 Rear View Features

Number	Item	Description
1	USB-A 3.2 Ports	Supports USB-A peripherals.
2	MicroSD Slot	Input for microSD cards.
3	HDMI	Supports HDMI output to external display. Maximum display resolution: 3840 x 2160 @ 30 fps.
4	DC Input	Input for a supported power supply.
5	RJ45 Ethernet Port	Supports speeds up to 1000 Mbps. Capable of powering the device with compatible Power over Ethernet (PoE) injector.

Figure 7 Bottom View

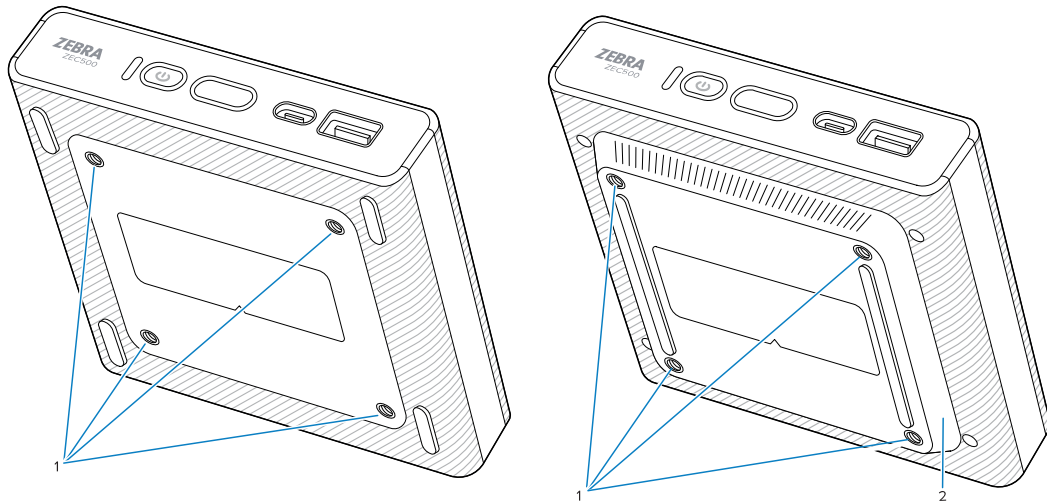


Table 7 Bottom View Features

Number	Item	Description
1	VESA	75x75mm VESA mounting holes.
2	Extended Fan	Extended fan is applicable only to certain SKUs. For more information, refer to the Configurations section in the ZEC500 Enterprise Computer Product Reference Guide.



NOTE: When mounting the device, use four M4 screws with a minimum length of 6mm (0.24 in.).

Figure 8 Top View

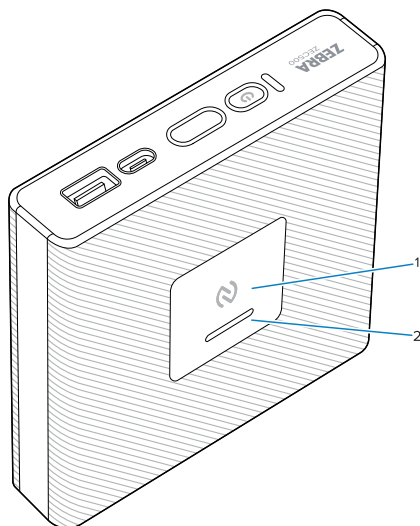


Table 8 Top View Features

Number	Item	Description
1	NFC Antenna	Provides communication with other NFC-enabled devices or NFC-enabled cards.
2	Wireless Workstation Connect Status LED	Go to LED Status Light .

Setting Up The Device

This section explains how to set up your device for a smooth and quick start.

1. (Optional) Mount the device.
2. Connect the desired peripherals: Display, mouse, keyboard, and so on.
3. Connect the device to a power supply.
4. Follow the Android Setup wizard to configure your device.

Installing a MicroSD Card

This section describes how to install a microSD card into the device.

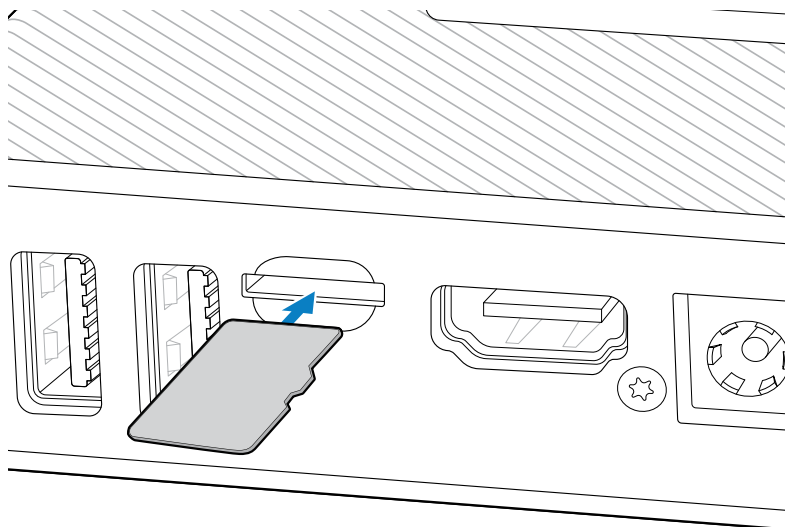


NOTE: This applies only to the ZEC500-P.



CAUTION: If the device is powered on, be sure to safely eject the MicroSD card and turn off the device before removing.

1. Orient the microSD card with the pins face down.



2. Push the microSD card into the slot until it clicks into place.

Powering the Device

The following sections explain methods for powering the ZEC500-V and ZEC500-P.

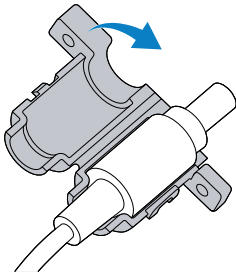


NOTE: Ensure the power sourcing equipment is rated appropriately for the operating environment of the device.

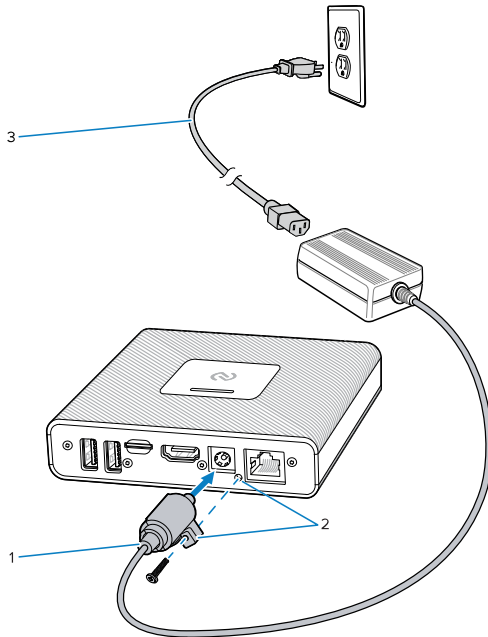
Powering the Device with a DC Power Supply

This section explains how to power the device using a DC power supply.

To properly secure the cable to the device, it is recommended that you put the cable lock on prior to powering the device.



- Connect the DC cable to the DC input (1), using a screwdriver, securely fasten the screw through the DC cable lock into the device (2), and then connect the power supply to AC power (3).



Powering the Device with a USB-C Connection

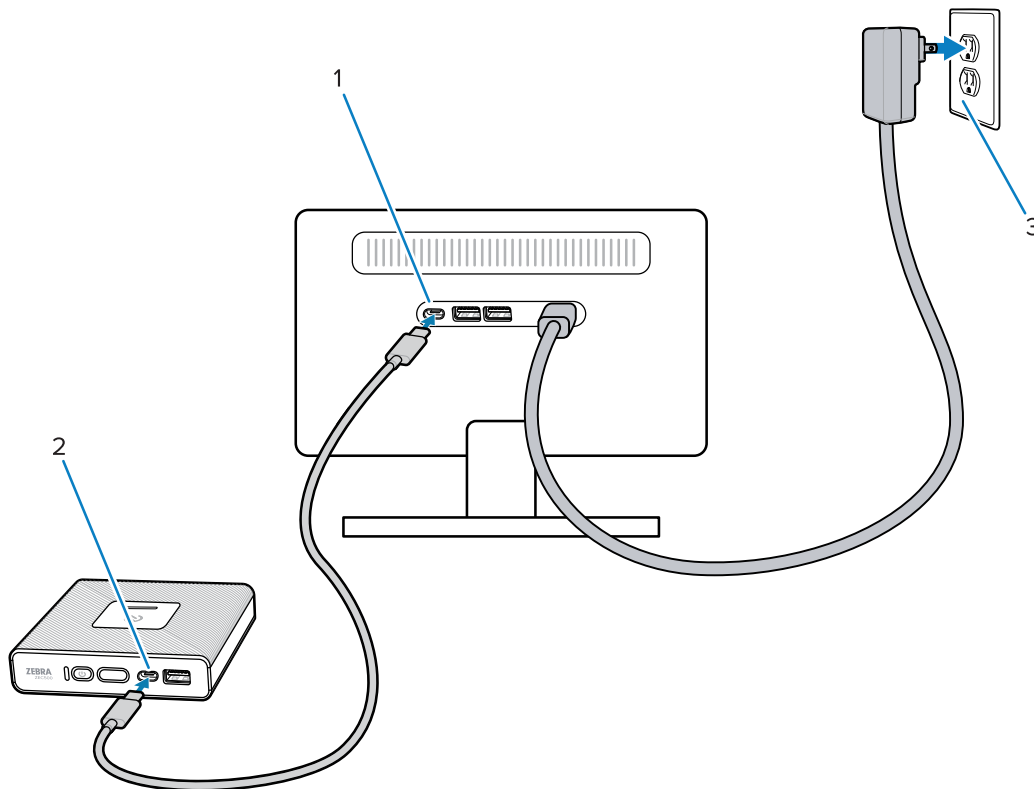
This section describes how to power the device by connecting it to a Power Delivery-capable display.



NOTE: This applies only to the ZEC500-P.

To use a USB-C cable to connect your external monitor to the device, make sure your monitor can provide USB Power Delivery (PD) of at least 60W or greater; lower values may be supported with possible limitations.

- Connect the USB-C cable to a USB Power Delivery-capable display (1), connect the USB-C cable to the device's USB-C port (2), connect the USB Power Delivery-capable display to a power source (3), and then power the device on.



The device is now powered by the display, and the display is now displaying the device's contents.

Powering the Device with Power over Ethernet (PoE)

This section explains how to power the device using Power over Ethernet.



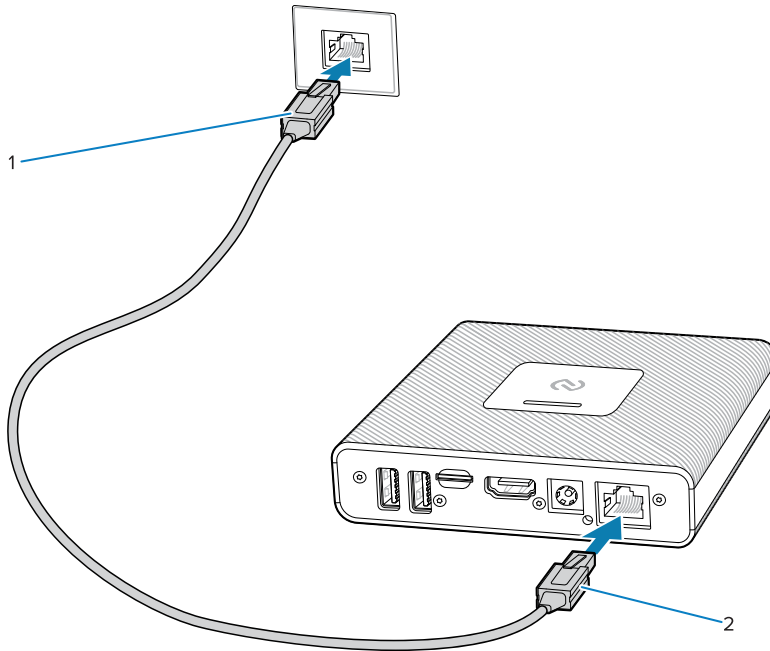
NOTE: This applies only to the ZEC500-P.



IMPORTANT: The PoE accessory must be compliant with 802.3at/bt standards and classified as Class 4 or higher Power Sourcing Equipment (PSE).

Ensure your network provides enough energy to power the device. Refer to the PoE-capable network switch or Power Injector Configuration Guide and the Power over Ethernet section in the ZEC500 Enterprise Computer Product Reference Guide for more information.

- Connect the Ethernet cable to the PoE accessory (1), and connect the Ethernet cable to the device's Ethernet port (2).



NOTE: Avoid excessive disconnecting/reconnecting the RJ45 on a PoE system to minimize electrical arcing on the RJ45 connector.

Powering Off the Device

This section describes how to power off the device.

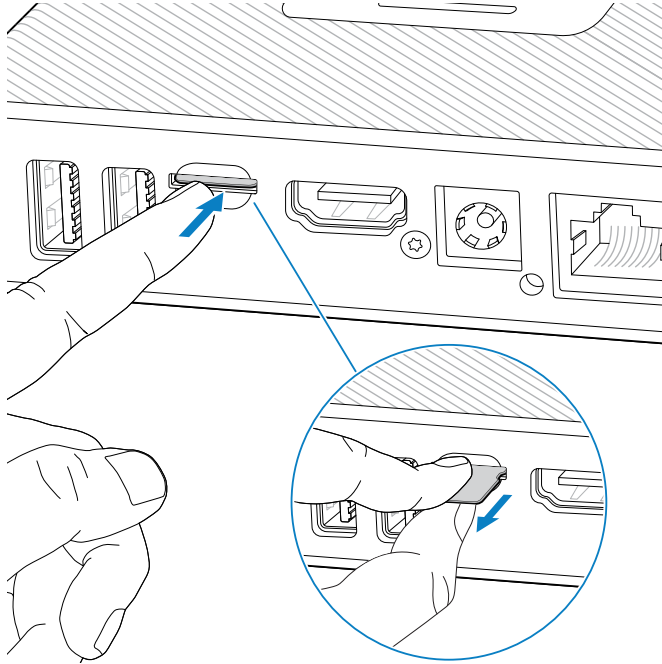
1. Press and hold the power button until the menu displays.
2. Select **Power off**.

Replacing the MicroSD Card

This section describes how to replace the microSD card.

1. Power off the device.

2. Press the microSD card, and then pull the microSD card out.



3. Install the replacement microSD card.

LED Status Light

These sections explain the LED status light and what each color represents.

Power Status LED

This section describes the power status LED lights.

Table 9 LED Status Indicators


State	LED Color	Indications
Solid	Amber	The ZEC500 is on and has no issues.
Flashing	Amber	A staging/OS upgrade is in progress.
Solid	Green	The ZEC500 is booting up.
Blinking	Green	The ZEC500 is in sleep mode.
 NOTE: If you are performing a staging/OS upgrade, the status light will be solid green once the upgrade completes.		
Flashing	Red	The ZEC500 had a critical bootup error.
Fast Blinking	Red	A critical staging failure occurred.

Table 9 LED Status Indicators (Continued)

State	LED Color	Indications
Flashing (Red and Green)	Mixed Colors	This indicates a PoE error.

Wireless Workstation Connection Status LED

This section describes the wireless connection status LED lights.

Table 10 LED Status Indicators

State	LED Color	Indications
Fast Blinking	Blue	The ZEC500 is connecting to a host device.
Solid	Blue	The ZEC500 is connected to a host device.
Flashing (Red and Blue)	Mixed Colors	This indicates an attempted connection to the host error.

