



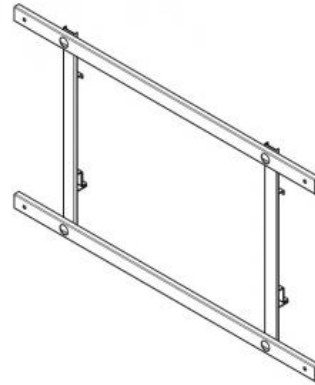
Ready when you are

M CISCO Spark Board Kit 55 for Motorized Mount Black HD/SD

Article: 7 350 073 735 426

Multibrackets - Mounting component (CISCO Spark Board 55" adapters) for Cisco Spark Touchscreen - steel - black epoxy - screen size: 55"

Product category: MOTORIZED



Specification

M CISCO Spark Board 55 Kit Motorized Mount 1114x645 Black HD/SD

Article No:	7 350 073 735 426
Suitable for:	CISCO Spark Board 55
Feature:	Holder for CISCO displays
Colour:	Black
Material:	Steel
Adjustable Height/Tilt:	Yes, with pillar
Max load:	160 kg
Package Size in mm: (WxDxH)	1215 x 110 x 55 mm
Weight:	6.0 kg
Warranty:	5 years

Retail Package Specification

Package Parcels:	1 pcs
Package Measurements:	121.5 x 11 x 5.5 cm
Package Weight:	6.00 kg

The content of this specification is subject to change without further notice. Always visit our web for the latest updated specifications. <https://products.multibrackets.com/>