



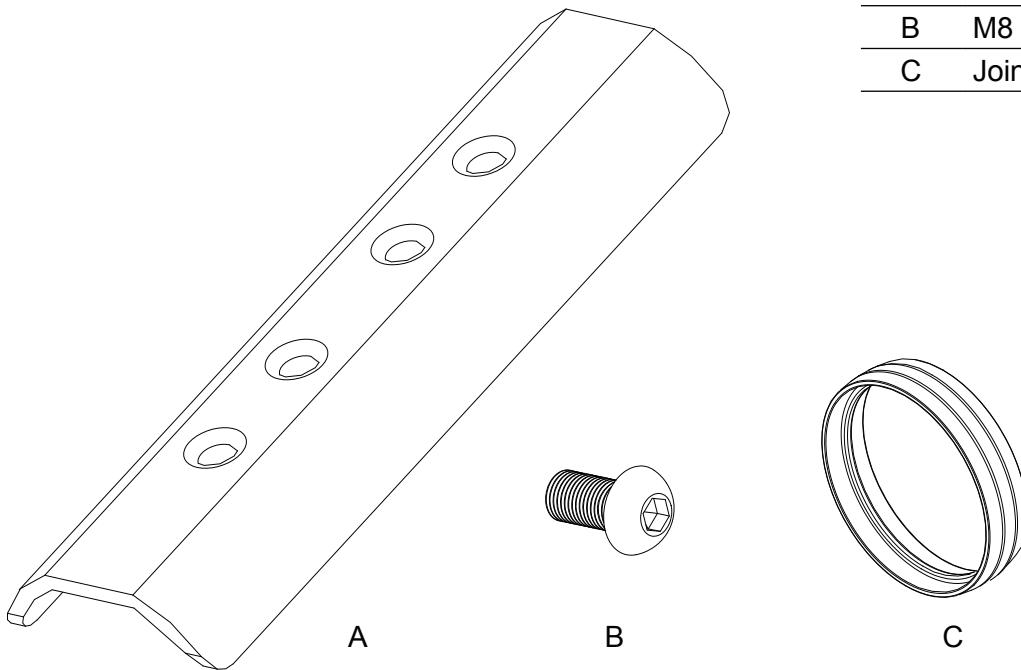
Technical Summary

Pole joiner

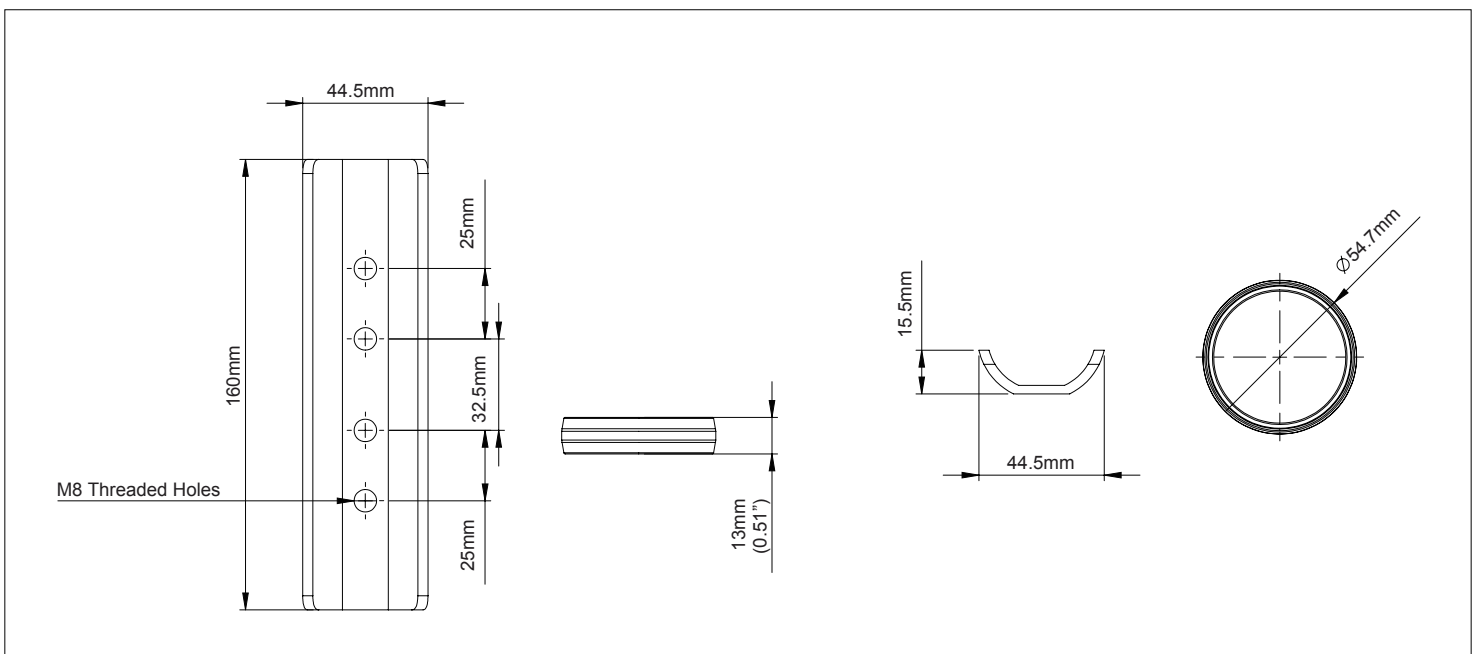
EAN: 7350073734191

COMPONENT CHECKLIST

| Item | Name | QTY |
|------|-----------------|-----|
| A | Joiner Plate | 2 |
| B | M8 x 12mm Screw | 8 |
| C | Joiner Ring | 1 |

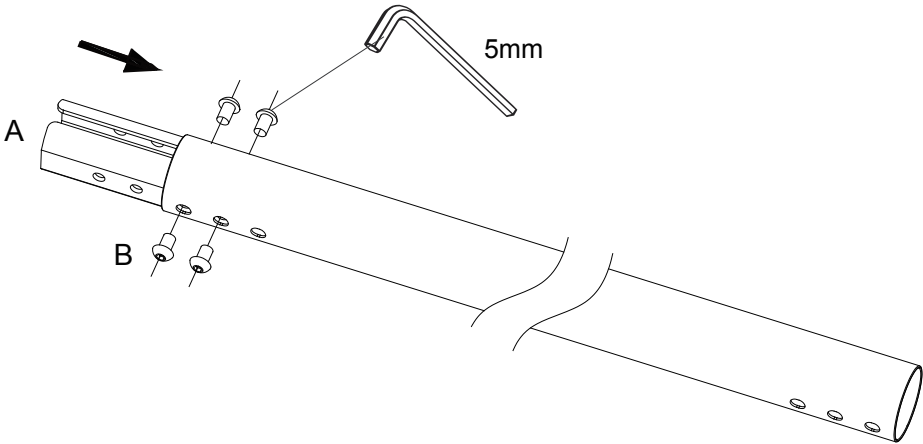


PRODUCT DIMENSIONS

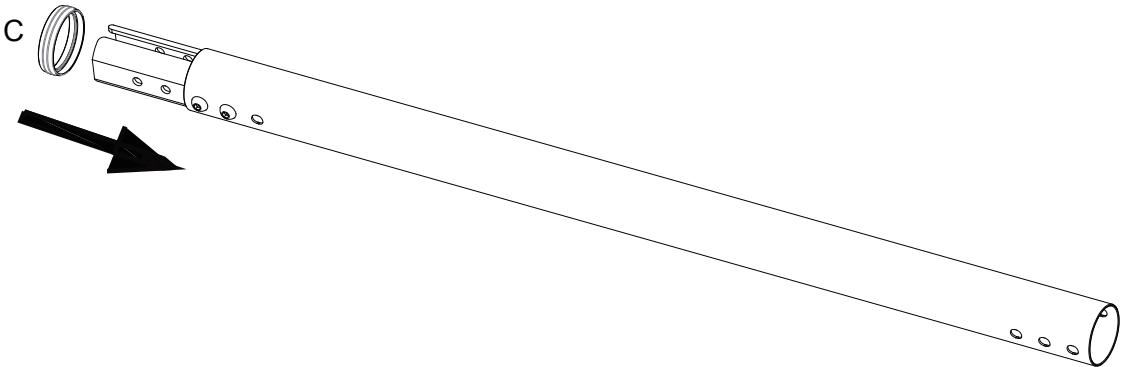


INSTALLATION INSTRUCTION

1. Fasten joiner plate to pole end



2. Slip joiner ring on to pole end



3. Attach additional pole

