

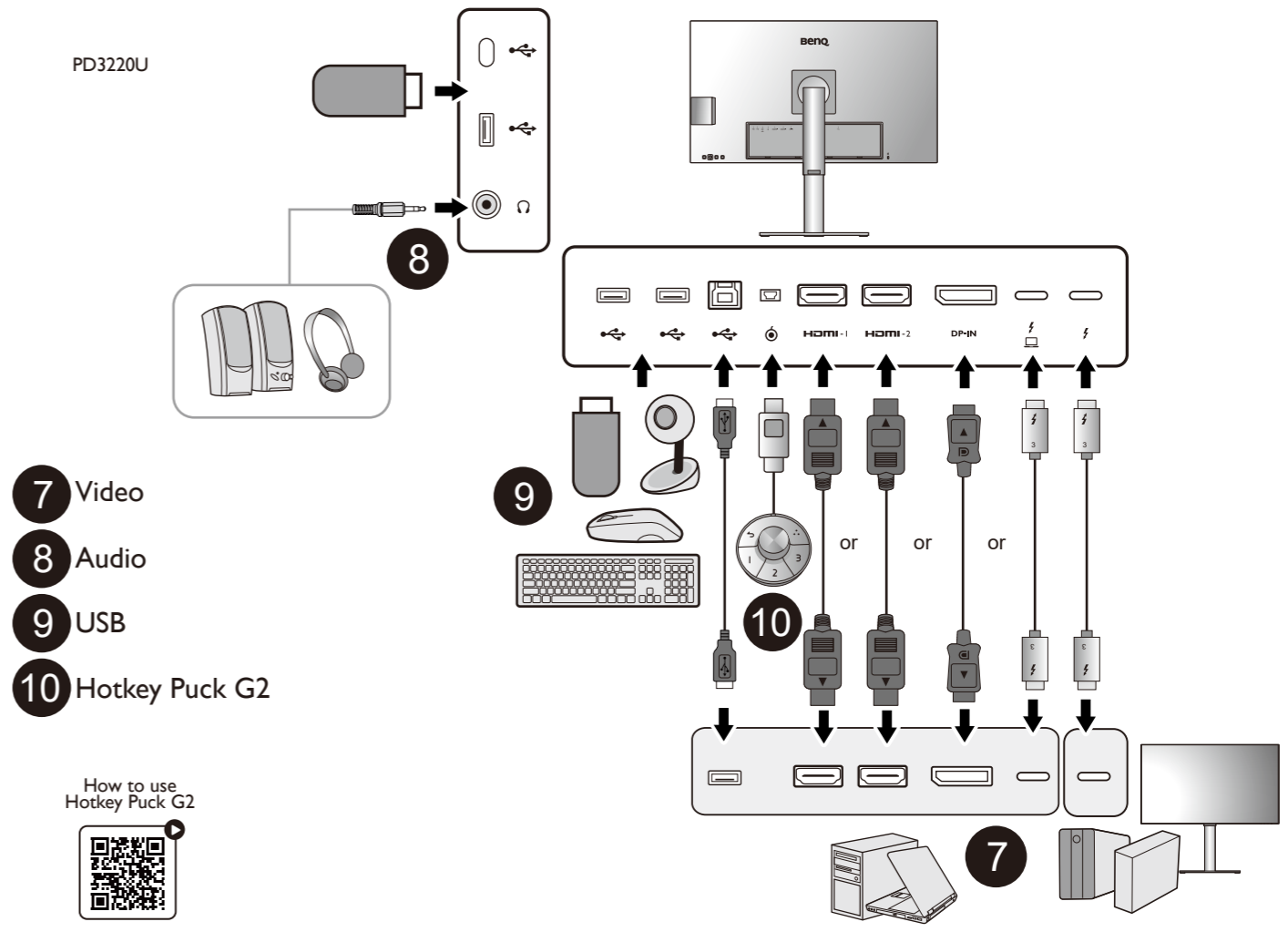
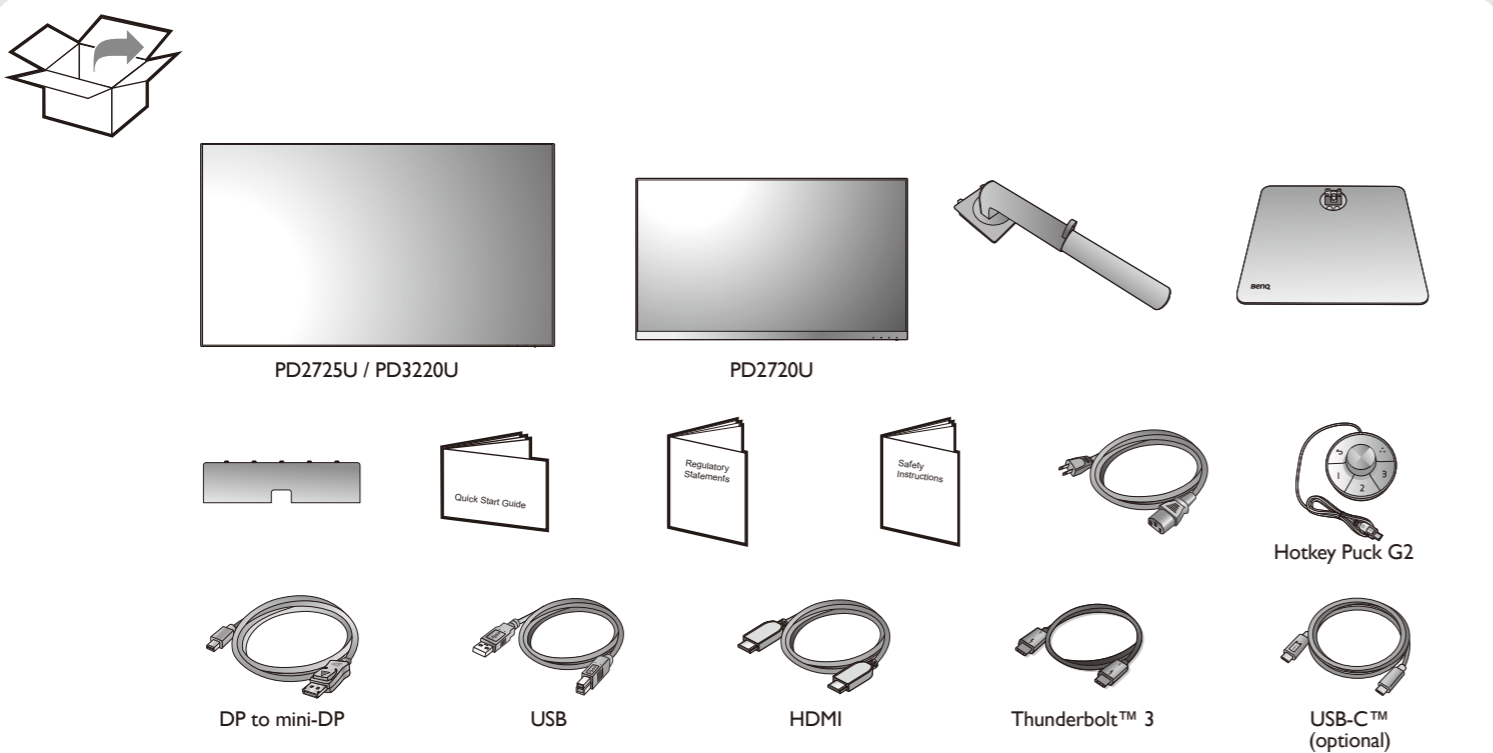
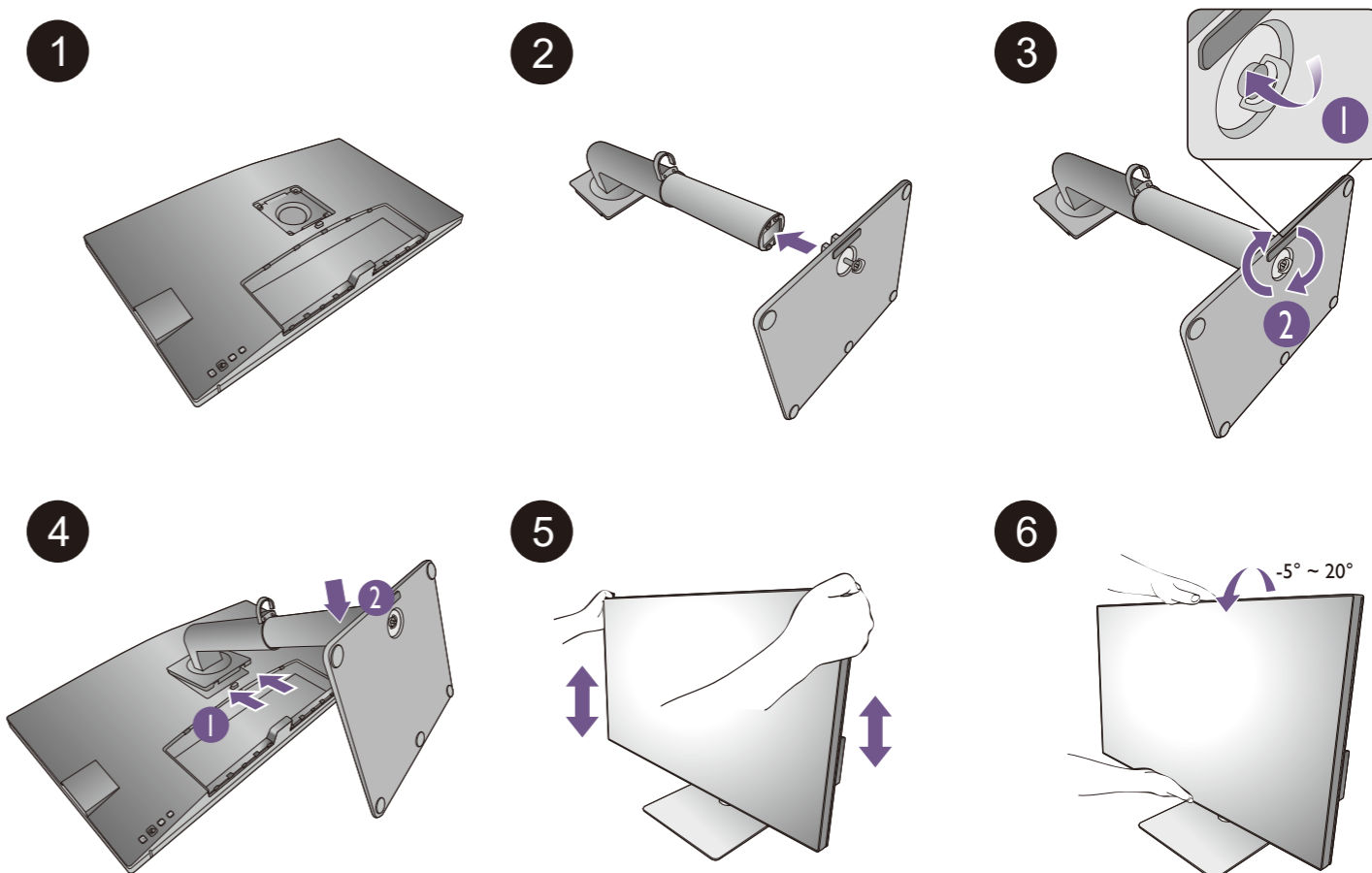
# LCD Monitor Quick Start Guide

DesignVue Designer Monitor | PD Series

**AQCOLOR**  
Colors You Can Trust

DN:PD20U-EQ-V1

© 2020 BenQ Corporation. All rights reserved. Rights of modification reserved.



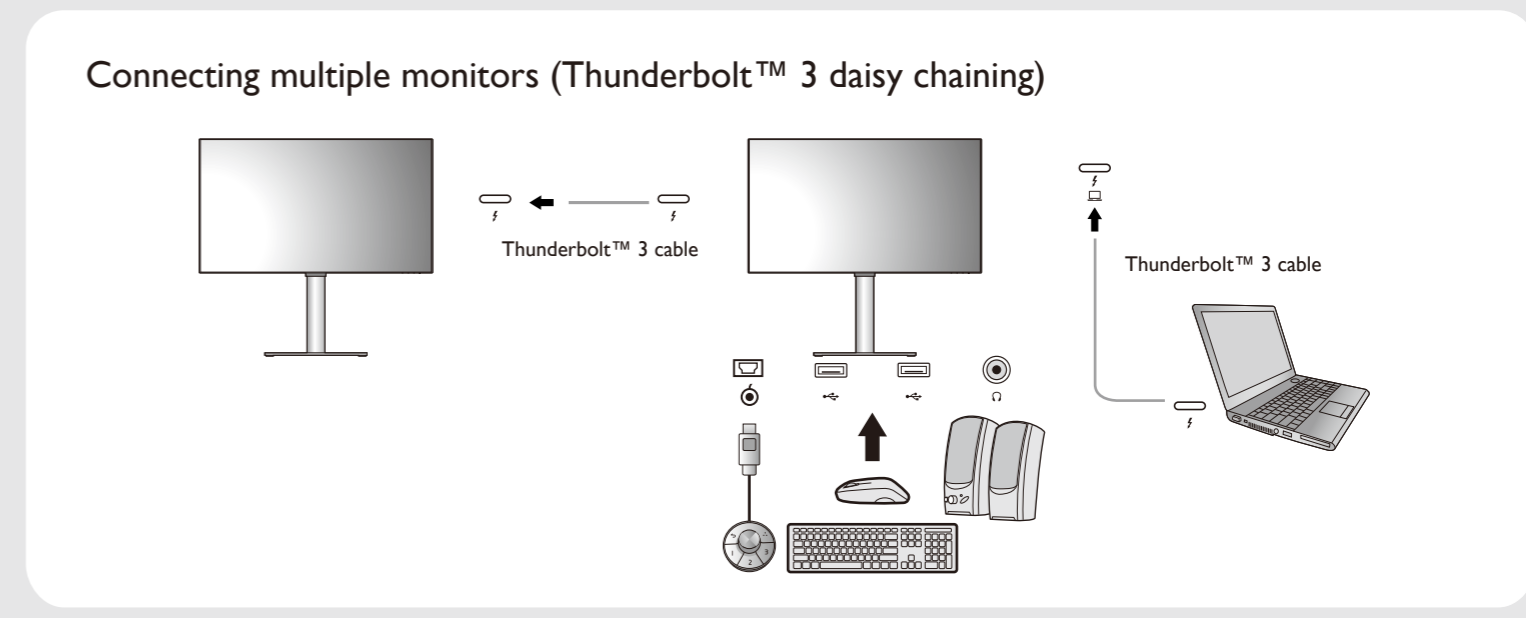
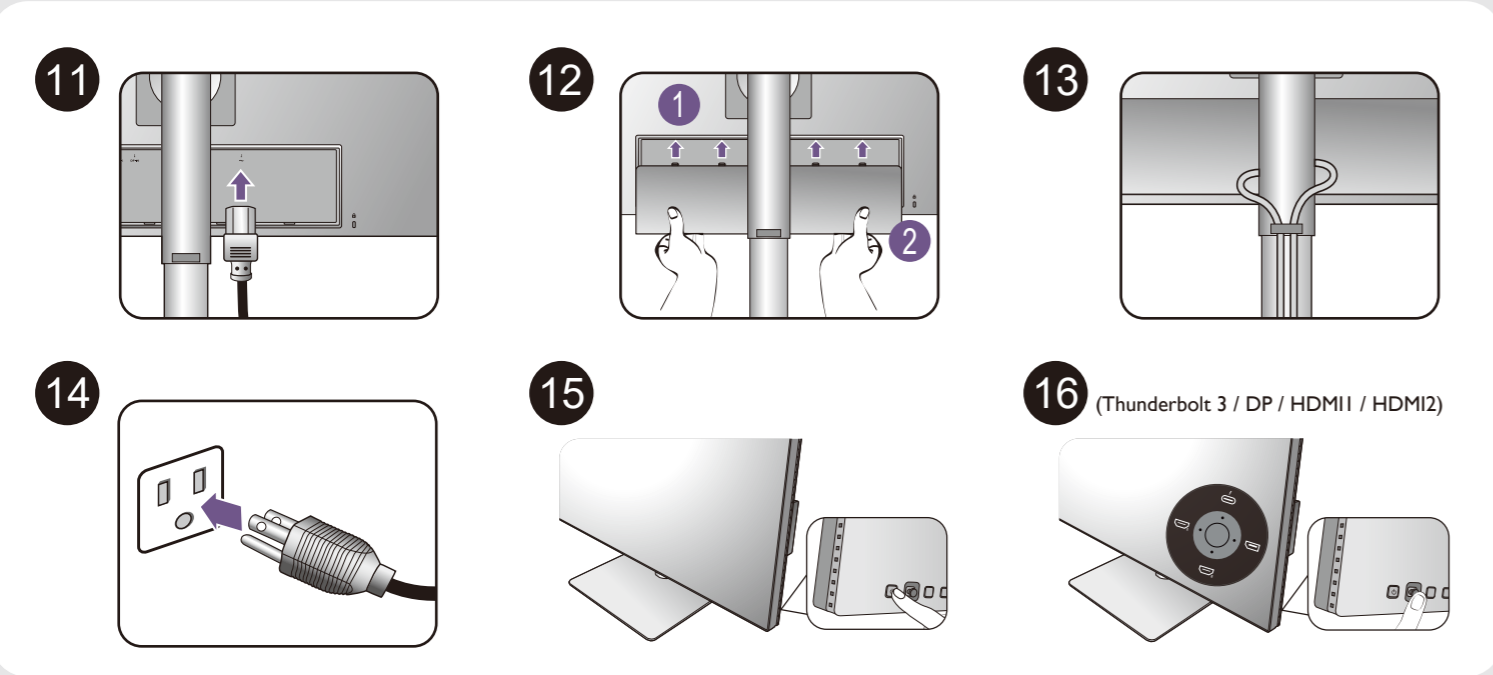
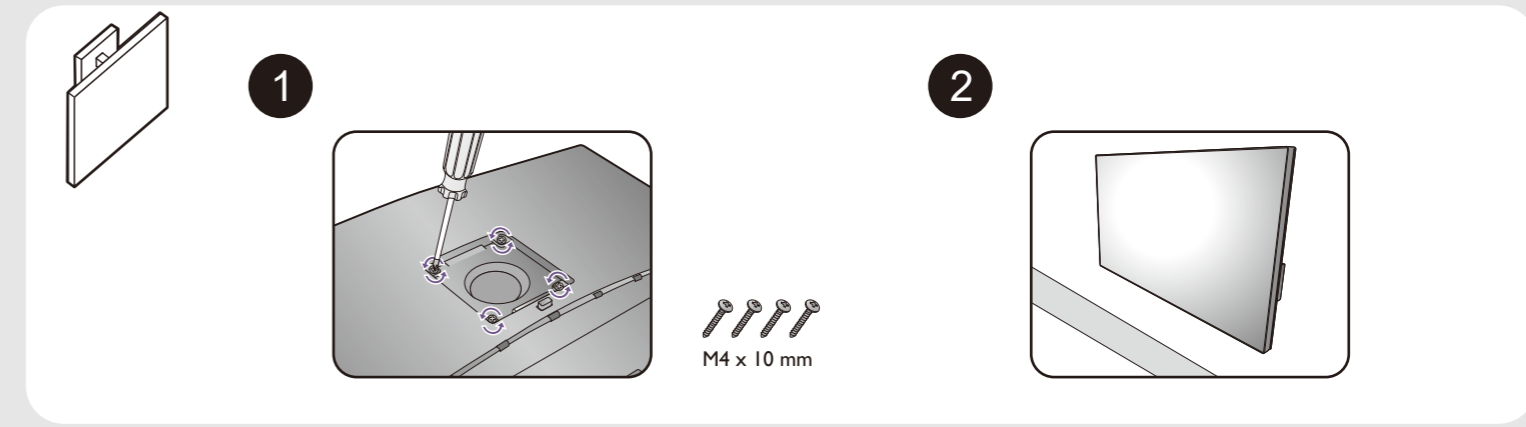
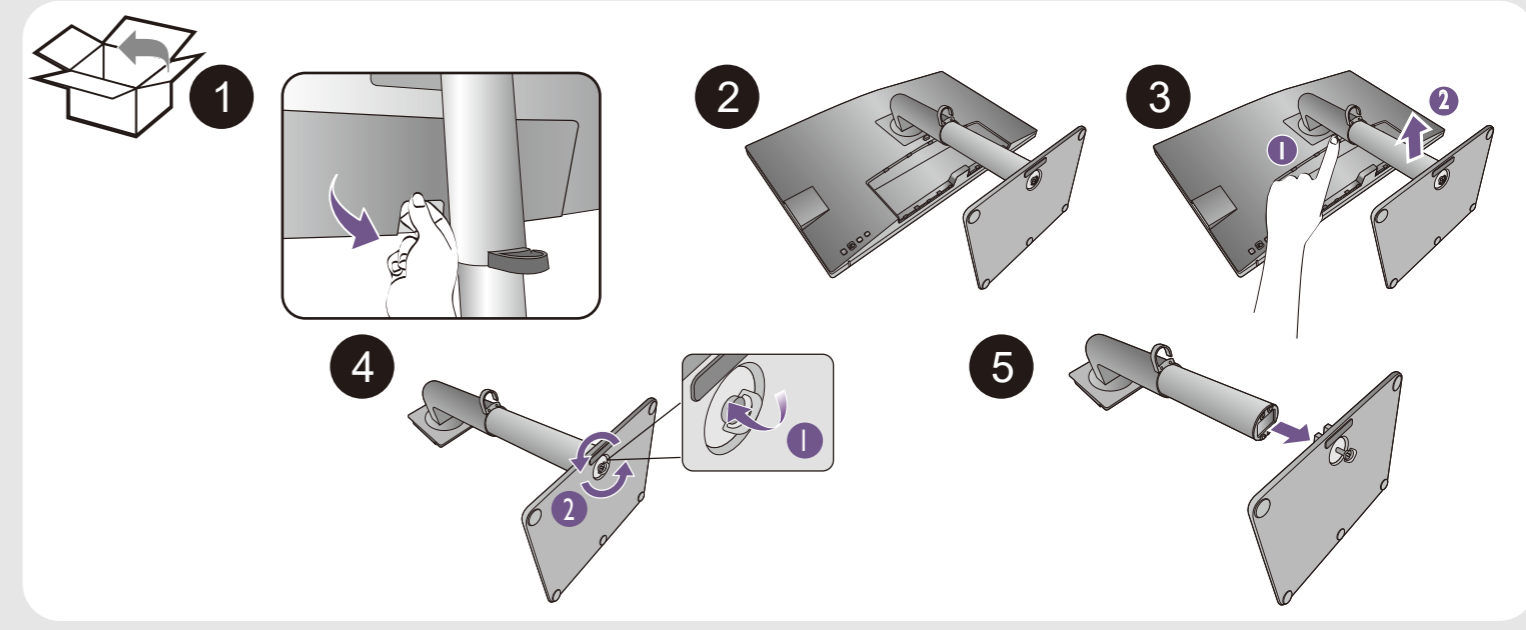
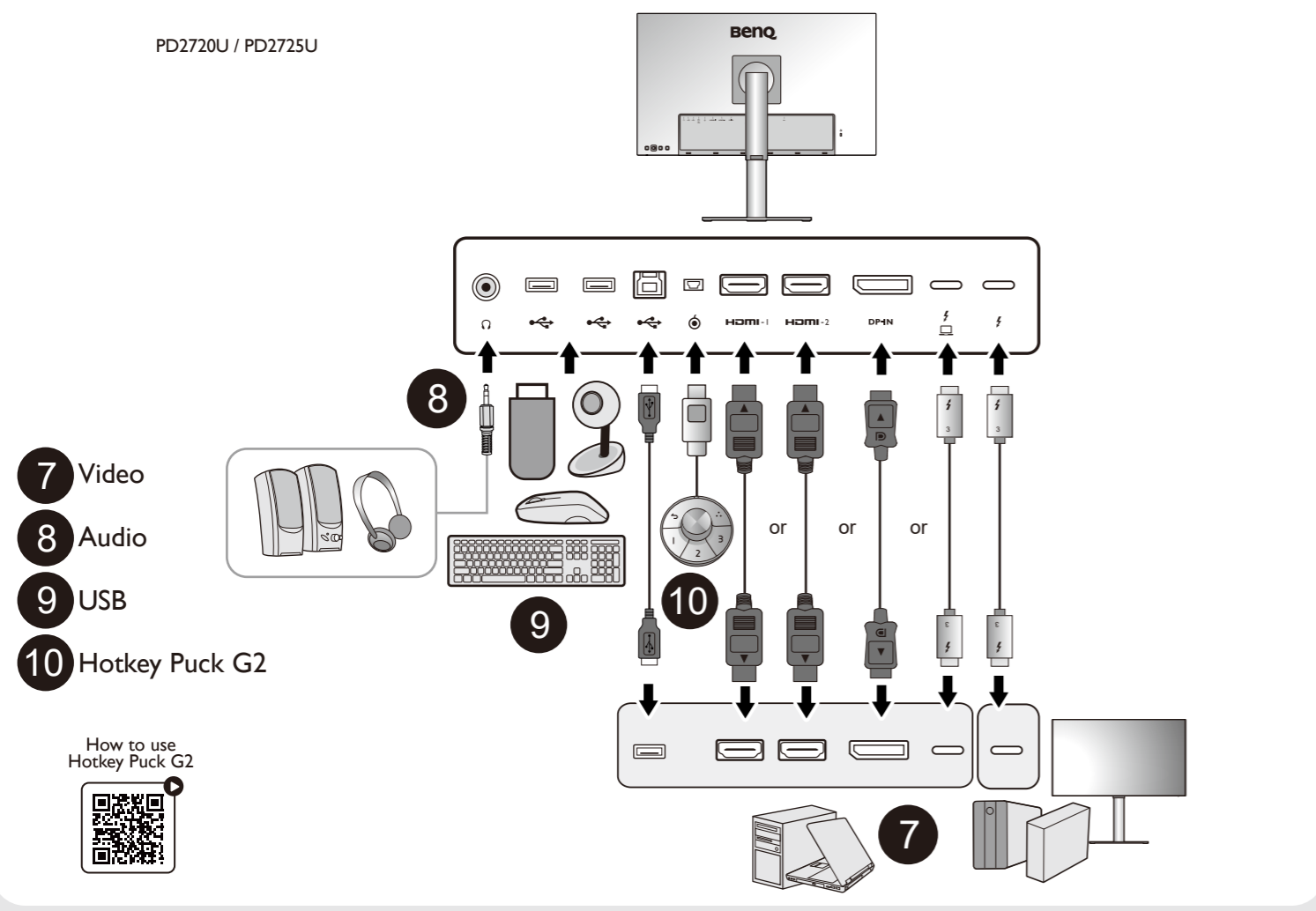
0-40°C 10-90% 0-3000m

-20-60°C 10-60% 0-12000m

**ecoFACTS**  
csr.BenQ.com

**HDMI**  
HIGH-DEFINITION MULTIMEDIA INTERFACE  
(For models with HDMI inputs)

P/N: 4J.XXXXX.XXX



**Software installation**  
Display Pilot: for display arrangement & color matching (ICC Sync)

Support.BenQ.com

Display Pilot

How to use Display Pilot

How to use ICC Sync

Support.BenQ.com

Online Manual

Product Support

Software Download

For professional color display

CAD / CAM Mode

Animation Mode

For work efficiency

DualView

KVM Switch