



Eaton 5PX UPS

Integrated Power Management. Discover what you've been missing.

The Eaton 5PX provides advanced power conditioning and unparalleled battery backup for network closets and small data centers.

Eaton 5PX features and benefits:

Efficiency: The Eaton 5PX provides industry leading efficiency of up to 99 percent.

Manageability:

- **Energy metering:** The 5PX meters energy consumption right down to the outlet segments. No other UPS in the industry offers this capability.
- **UPS management:** By integrating Eaton's free Intelligent Power® Software Suite, you can monitor and manage the power devices on your network.

LCD display: Eaton's next generation LCD offers a graphical interface which provides all critical UPS information in a single screen view. The user friendly menu allows you to view information and control settings at the push of a button.

More power: The 5PX protects more devices by providing 28 percent more wattage compared to traditional UPSs.

Battery life: Eaton's exclusive ABM® technology increases battery service life by 50 percent. ABM uses an advanced, three-stage charging technique and closely monitors battery health to provide advanced notice when batteries need replacement.

Intelligent Power Software Suite

By integrating the suite with the Eaton 5PX, you gain:

- Compatibility with VMware® and Microsoft® virtualization platforms
- Seamless integration with VMware's vCenter™ dashboard
- The ability to trigger vMotion™ and Live Migration™ and move virtual machines during a power failure
- Graceful shutdown of computers and virtual machines/servers during an extended power outage

To learn more, please visit:

www.eaton.com/intelligentpower

Services and support

Eaton provides product support 24 hours a day, 7 days a week. From battery replacement to full UPS service plans, Eaton has one of the top service models in the industry.

Three-year warranty

The 5PX warranty covers both the UPS and the batteries for three years. No other manufacturer in the industry offers as comprehensive a warranty.



Add extended battery modules for hours of runtime.

EATON

Powering Business Worldwide

Celebrating
100 YEARS
Ideals that Endure

5PX MODEL SELECTION GUIDE*

Catalog Number	Rating (VA/Watts)	Input connection	Output receptacles	Dimensions (H x W x D), in	Net weight, lb
120V, 50/60 Hz					
5PX1000RT	1000/1000	5-15P	(8) 5-15R	3.4 x 17.4 x 20.6	62
5PX1500RT	1440/1440				65
5PX2200RT	1950/1920				65
5PX3000RT2U	3000/2700	L5-30P	(1) L5-30R (6) 5-20R	3.4 x 17.4 x 25.4	87
5PX3000RT3U					86
208V or 230V, 50/60 Hz					
5PX1500iRT	1500/1350	C14-10A	(8) C13-10A	3.4 x 17.4 x 20.6	61
5PX2200iRT	2200/1980	C20-16A	(1) C19-16A		63
5PX3000iRT2U	3000/2700			(8) C13-10A	3.4 x 17.4 x 25.4
Extended Battery Modules					
DC voltage	For use with	Max qty / UPS	Dimensions (H x W x D), in	Net weight, lb	
48V	5PX1000RT 5PX1500RT 5PX2200RT	4	3.4 x 17.4 x 20.6	72	
	5PX3000RT2U		3.4 x 17.4 x 25.4	102	
72V	5PX3000RT3U		5.1 x 17.4 x 19.6	98	

*Due to continuous product improvement programs, all specifications are subject to change without notice. Please visit www.eaton.com/5PX to view complete and updated product specifications.

Additional Options	Catalog Number	For use with
Connectivity		
ConnectUPS-MS Network Management Card	103006826	All models
Power Distribution & Bypass		
HotSwap Maintenance Bypass (MBP) The HotSwap Maintenance Bypass allows you to exchange or service the UPS without shutting down the connected load	EHBPL1500R-PDU1U	5PX1000RT 5PX1500RT
	EHBPL2000R-PDU1U	5PX2200RT
	EHBPL3000R-PDU1U	5PX3000RT2U 5PX3000RT3U
Mounting Hardware		
2-post rail kit	103007018-5591	5PX1000RT 5PX1500RT 5PX2200RT 5PX3000RT2U

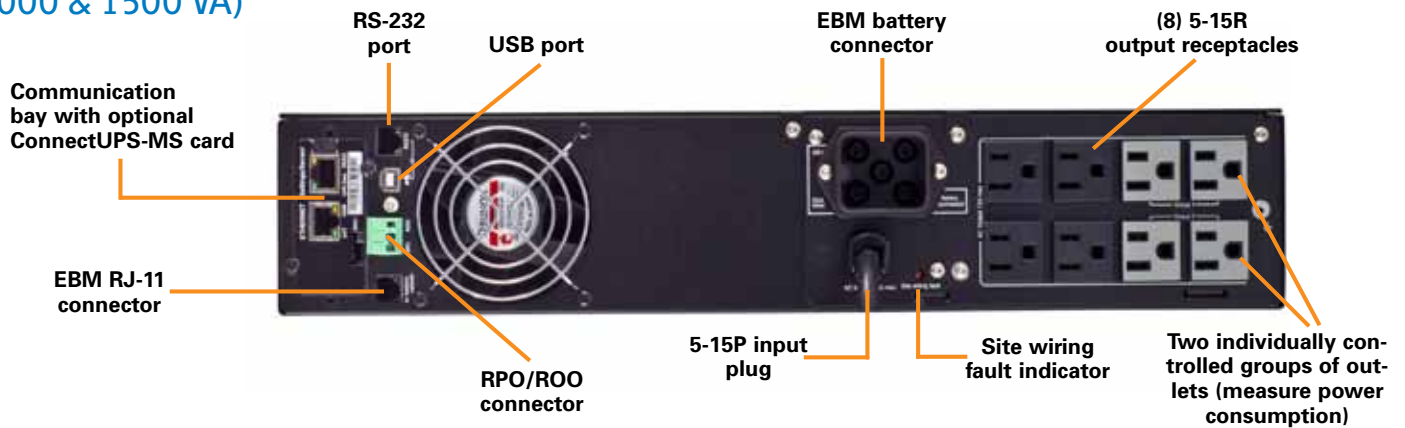
What's in the box

- Tower pedestals
- Four-post rail kit
- User manual CD
- Intelligent Power Software Suite CD
- Quick start guide
- RS-232 serial cable
- USB cable
- Phillips Head screw driver
- 2 IEC to IEC jumper cables (208V/230V models)

Battery runtime

You can get up to five hours of battery runtime using the internal batteries and extended battery modules. For a detailed, interactive battery runtime chart, please visit: www.eaton.com/5PX - then view the individual technical pages for details of each UPS.

5PX UPS rear panel (1000 & 1500 VA)



To interact with the Eaton 5PX UPS, please visit: www.eaton.com/5PX

Eaton Corporation
8609 Six Forks Road
Raleigh, NC 27615
United States
800.356.5794

Eaton.com/powerquality

©2011 Eaton Corporation
All Rights Reserved
Printed in USA
5PX01FXA
April 2011



The 5PX is part of the UPSgrade program



www.eaton.com/UPSgrade

Eaton is a registered trademark of Eaton Corporation.

All other trademarks are property of their respective owners.

