

# Dell™ P992 Color Monitor

## Quick Setup Guide



### Safety Instructions

Observe the following safety guidelines when connecting and using your monitor:

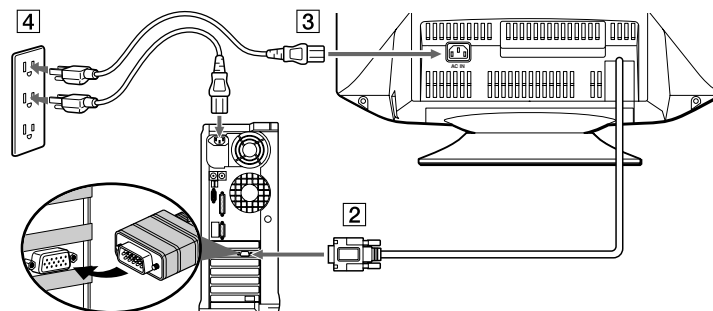
- Be sure that your monitor is electrically rated to operate with the AC power available in your location.
- Locate your monitor near an easily accessible electrical outlet.
- Place the monitor on a solid surface and treat it carefully. The screen can be damaged if dropped, sharply hit, or touched with a sharp or abrasive implement.
- Put your monitor in a location with low humidity and a minimum of dust.
- Never use your monitor if the power cable has been damaged. Do not allow anything to rest on the power cable, and keep the cable away from where people could trip over it.
- Never insert anything metallic into the monitor openings. Doing so may create the danger of electric shock.
- To avoid electric shock, never touch the inside of the monitor. Only a qualified technician should open the monitor's case.
- Be sure to hold the plug, not the cable, when disconnecting the monitor from an electrical outlet.
- Openings in the monitor cabinet are provided for ventilation. To prevent overheating, these openings should not be blocked or covered. Also, avoid using the monitor on a bed, sofa, rug, or other soft surface. Doing so may block the ventilation openings in the bottom of the cabinet. If you put the monitor in a bookcase or some other enclosed space, be sure to provide adequate ventilation.
- Do not expose the monitor to rain or use it near water. If the monitor accidentally gets wet, unplug it and contact an authorized dealer immediately. You can clean the exterior of the monitor with a damp cloth when necessary, but be sure to unplug the monitor first.
- If your monitor does not operate normally-in particular, if there are any unusual sounds or smells coming from it-unplug the monitor immediately and contact an authorized dealer or service center.

### Quick Specifications

AC input voltage/frequency	100 – 240 V ~ 50 – 60 Hz
Current	2.0 A (RMS) at 120 VAC and 1.0 A (RMS) at 220 VAC
Operating Temperature	0° to 40°C (32° to 104°F)
Dimensions	471 mm × 451 mm × 461 mm (height × width × depth) (18.54 × 17.76 × 18.15 inches)
Weight (monitor only)	25.5 kg (56 lbs 1 oz)
Other accessory items in the package	CD-ROM User's Guide, AC Cord



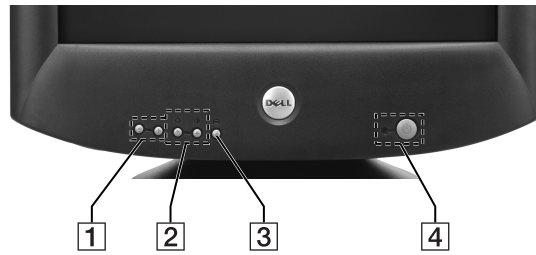
### Connecting Your Monitor to a Computer



- 1 Turn off your computer and unplug its power cable.
- 2 Connect the HD15 video signal cable to the video output of your computer.
- 3 Connect the power cable for your monitor to the power port on the back of the monitor.
- 4 Plug the power cable of your computer and your monitor into a nearby outlet.
- 5 Turn on your monitor and computer. If the monitor does not display an image, refer to the troubleshooting section of this guide.



## Monitor Controls and Indicators



- 1 These buttons are used to make adjustments to the monitor in the desired menu items.
- 2 These buttons display the BRIGHT (☀) / CONTRAST (●) menu. These buttons are also used to navigate the menu.
- 3 This button is used to display the main menu on your screen. This button is also used to select the menu items and to activate the adjustment.
- 4 This button switches the power on and off. The LED indicator lights up in green when the monitor is turned on, and lights up in amber when the monitor is in power saving mode. If the monitor is in the power save mode and the power is turned off with the power switch, it may take up to 10 seconds for the LED to go black.



## Driver Installation

Use the monitor CD to install the appropriate monitor driver for your operating system.

The following OS messages might be slightly different from the actual message that appears on your PC, but the meaning is the same.

### Microsoft® Windows® XP Operating System

To manually install or update the driver, perform the following steps:

1. Insert the monitor CD into the CD-ROM drive.
2. Click **Start --> Control Panel --> Appearance & Themes** and then click the Display icon.
3. In the **Display Properties** window, click the **Settings** tab and then click **Advanced**.
4. Click the **Monitor** tab, and then click **Properties --> Driver tab --> Update Driver**.
5. When the **Hardware Update Wizard** dialog box appears, choose "Install the software automatically," and click **Next>** and the **Finish** to complete the installation.
6. Close the **Display Properties** window.

### Microsoft® Windows® Millennium Operating System

To manually install or update the driver, perform the following steps:

1. Click **Start--> Settings--> Control Panel** and then double-click **Display**.
2. In the **Display Properties** window, click the **Settings** tab, and then click **Advanced**.
3. Click the **Monitor** tab, and then click **Change--> Specify the location of the driver-->Next**.
4. When the **Update Device Driver Wizard** dialog box appears, select "Display a list of all the drivers in a specific location, so you can select the driver you want," and click **Next>**.
5. Insert the monitor CD into the CD-ROM drive, then click **Have Disk...**
6. Type d: \ (change the drive letter to match your CD-ROM drive if it is not drive D) in the **Copy manufacturer's files from:** box, then click **OK**.
7. Click **Next>**, **Next>**, and then **Finish** to complete the installation.
8. Close the **Display Properties** window.

### Microsoft® Windows® 2000 Operating System

To manually install or update the driver, perform the following steps:

1. Click **Start--> Settings--> Control Panel** and then double-click **Display**.
2. In the **Display Properties** window, click the **Settings** tab, and then click **Advanced**.
3. Click the **Monitor** tab, and then click **Properties--> Driver--> Update Driver**.
4. When the **Update Device Driver Wizard** dialog box appears, choose "Search for a suitable driver for my device," and click **Next>**.
5. Insert the monitor CD into the CD-ROM drive, type d: \ (change the drive letter to match your CD-ROM drive if it is not drive D) in the **Copy manufacturer's files from:** box, and click **Next>** and then **Finish** to complete the installation.
6. Close the **Display Properties** window.

## Microsoft® Windows® 98 Operating System

Windows 98 automatically detects the new monitor and displays the **Add New Hardware Wizard** dialog box if the monitor driver is not already installed.

1. Insert the monitor CD into the CD-ROM drive, and click **Next>** twice when the **Add New Hardware Wizard** dialog box appears.
2. Click the **CD-ROM drive** box to install the drivers from the CD and then click **Next>**.
3. Confirm that the driver was found on the CD, and click **Next>** twice to install the driver.
4. Click **Finish** to exit the **Add New Hardware Wizard** dialog box.

To manually install or update the driver, perform the following steps:

1. Click **Start--> Settings--> Control Panel** and then double-click **Display**.
2. In the **Display Properties** window, click the **Settings** tab, and then click **Advanced**.
3. Click the **Monitor** tab, and then click **Change**.
4. When the **Update Device Driver Wizard** dialog box appears, follow the steps in the previous paragraph.

## Setting Display Resolution

For optimal monitor performance while using Microsoft® Windows® XP, Windows® 2000, Windows® 98 or Windows NT®, set the display resolution to 1024 × 768 as follows:

1. Click **Start--> Settings--> Control Panel**.
2. Double-click the **Display** icon in the **Control Panel** window, and then click the **Settings** tab.
3. In the Desktop area, move the slider to 1024 × 768 pixels. Then click **OK**.



## Accessing the User's Guide Online or via CD

To view the latest monitor User's Guide, access the **SUPPORT** section of the Dell Web site (<http://support.dell.com>).

If you do not have Internet access, you can access the guide on the monitor CD:

1. Insert the monitor CD into your CD-ROM drive.  
*A start-up document should launch automatically; however, if the start-up document does not launch automatically, click **Start--> Run**, type `D:\monitor.htm`, and click **OK**. (Substitute the correct CD-ROM drive letter if it is not the D drive.)*
2. Click the appropriate icon to open the User's Guide in the desired language.



**NOTE:** All applicable warranty and regulatory information regarding your monitor is contained in the User's Guide on your CD.



## **Troubleshooting Tips**

### **Monitor Has No Power**

If the monitor's power indicator is off and no image appears on the display, perform the following checks:

- Ensure that the power cable is fully inserted in the monitor's power port and the electrical outlet.
- Test the electrical outlet by plugging in a working electrical device such as a lamp.
- Ensure that the power button has been depressed, and wait for the power indicator to light.
- Try another power cable on the monitor. Use the computer's power cable and turn on the monitor with the signal cable disconnected. If the monitor is working correctly, a self-test pattern appears.

### **No Image Is Displayed on the Monitor**

If the monitor power indicator is on but no image appears on the display, perform the following checks:

- Ensure that the video connector is seated properly. Tighten the connector screws securely with your fingers.
- Ensure that the computer is on.
- Increase brightness and contrast controls.
- Turn off the monitor and unplug the signal cable. Check the cable connector for bent or broken pins.
- With the signal cable still disconnected, turn on the monitor. If the monitor is working correctly, a self-test pattern appears.
- Perform a monitor reset or recall.

### **IMPORTANT!**

**Before contacting Dell for technical assistance, refer to the Troubleshooting section in the User's Guide on your monitor CD. This section contains detailed information for resolving most monitor problems.**

---

**Information in this document is subject to change without notice.**

**© 2001 Dell Computer Corporation all rights reserved.**

**Reproduction in any manner whatsoever without the written permission of Dell Computer Corporation is strictly forbidden.**

Trademarks used in this text: *Dell* and the *DELL* logo are trademarks of Dell Computer Corporation; Microsoft and Windows are registered trademarks of Microsoft Corporation.

Other trademarks and trade names may be used in this document to refer to either the entities claiming the marks and names or their products. Dell Computer Corporation disclaims any proprietary interest in trademarks and trade names other than its own.

September 2001