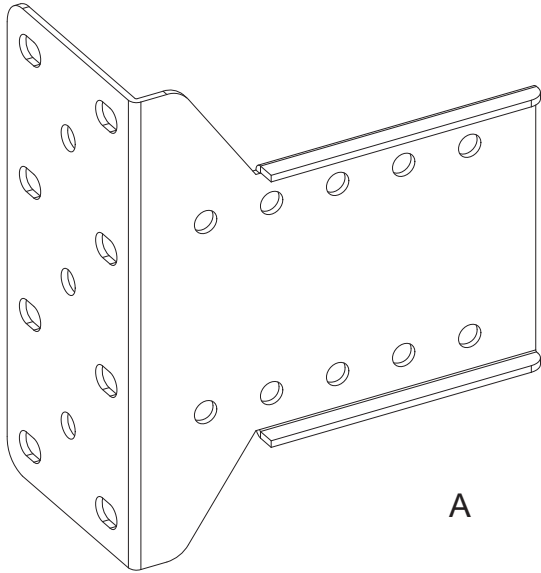




Technical Summary

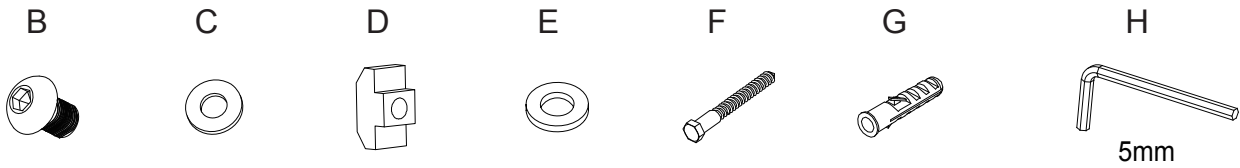
Single display plate from wall

EAN: 7350073737338

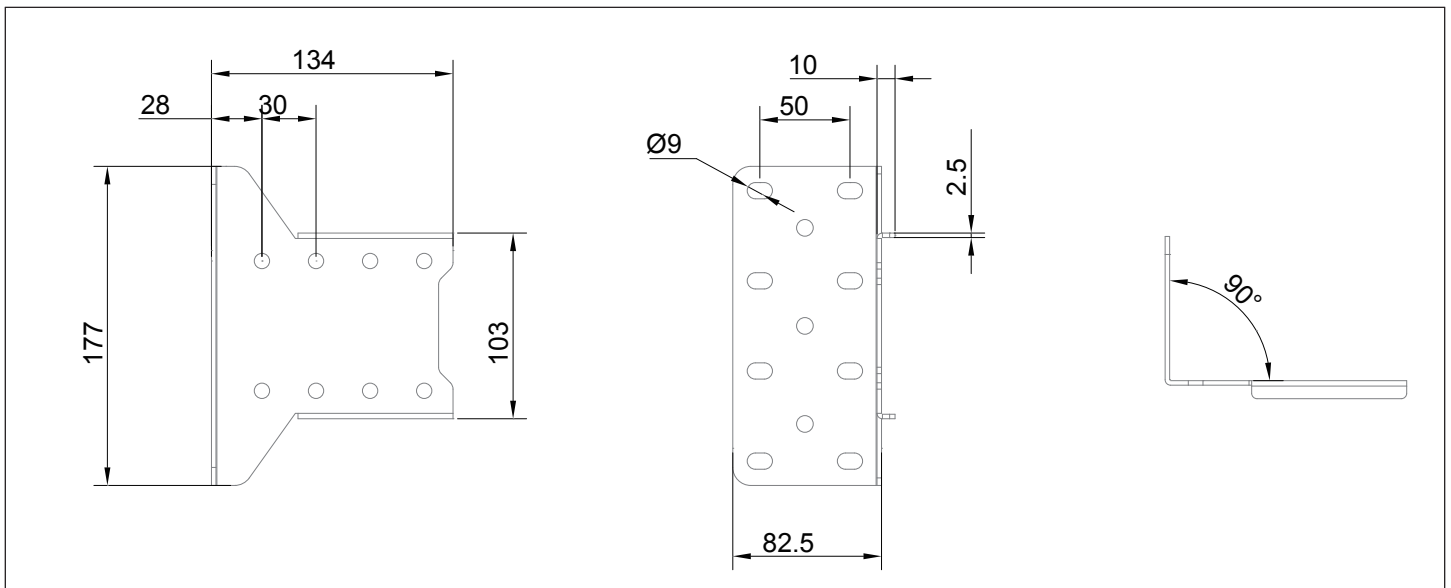


COMPONENT CHECKLIST

Item	Name	QTY
A	Single display plate from wall	1
B	M8 x 12mm Screw	4
C	M8 Washer	4
D	M8 Nut	4
E	M8 Washer	6
F	Coach Screw	6
G	Plastic Anchor	6
H	5mm Allen Key	1



PRODUCT DIMENSIONS



INSTALLATION INSTRUCTION

