



Installation Instructions



© Copyright 2016 HP Development Company, L.P.
The information contained herein is subject to change without notice.

Printed in

First Edition: June 2016



843783-001

Before you begin

1. Turn off the computer properly through the operating system, and turn off any external devices.
2. Disconnect the power cord from the AC outlet and disconnect any external devices.

⚠ WARNING! To avoid the risk of serious injury or damage to the system, ensure that the power cord is unplugged from the AC outlet at the wall before installing this product. Failure to do so may expose you to the risk of electric shock.

📄 NOTE: For regulatory and safety notices, refer to the *Product Notices* included with your product.

Product support

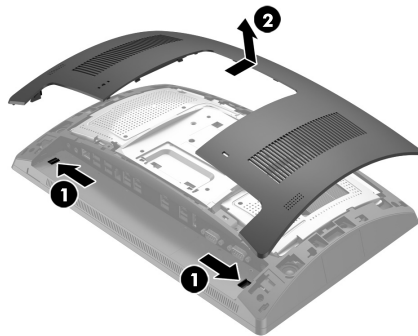
For online access to technical support information, self-solve tools, online assistance, community forums or IT experts, broad multivendor knowledge base, monitoring and diagnostic tools, go to www.hp.com/support.

📄 NOTE: If you need help preparing your computer model for this installation, refer to the documentation provided with the computer, or go to www.hp.com/support to locate the manual for your model.

Installing the LCD

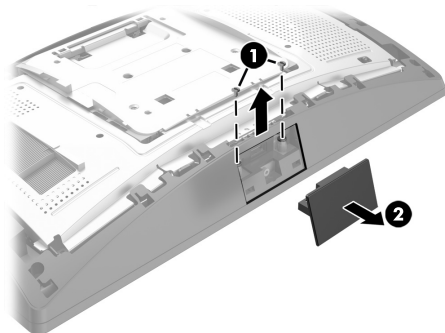
You must install the LCD in the top USB port on the RP9 display head. Before installing the LCD, you must remove the display head rear cover and the top port cover.

1. Press the two latches on the display head rear cover outward **1**. Slide the rear cover up, and then lift it off the display head **2**.

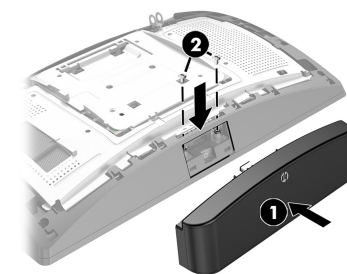


2. Remove the two screws that secure the top port cover **1**, and then pull the port cover off the display head **2**.

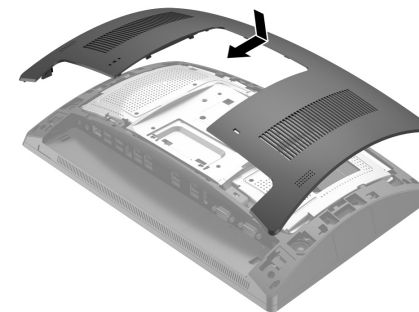
📄 NOTE: You may need to gently loosen the port cover from inside the screw holes with a flat-bladed screwdriver.



3. Insert the USB connector on the LCD module into the top USB port **1**, and then secure the module with the two screws that were previously removed **2**.



4. Align the tabs on the display head rear cover with the slots on the display head. Place the cover on the display head, and then slide the cover down so that it snaps into place.



5. Reconnect the power cord and any external devices, and then turn on the computer.

Documentation feedback

HP is committed to providing documentation that meets your needs. To help us improve the documentation, please send any suggestions, comments, or errors to doc.feedback@hp.com. Include the document title and part number (located near the barcode) when submitting your feedback.