

BenQ

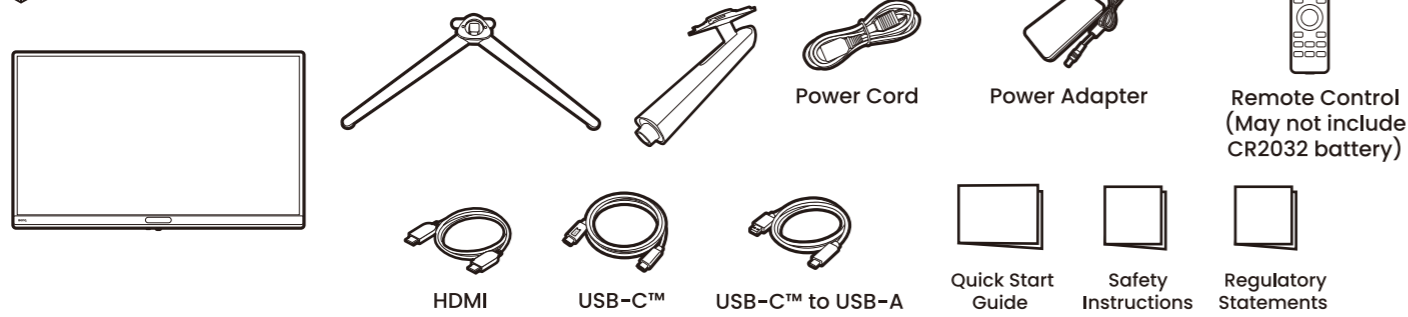
MOBIUZ

LCD Monitor Quick Start Guide

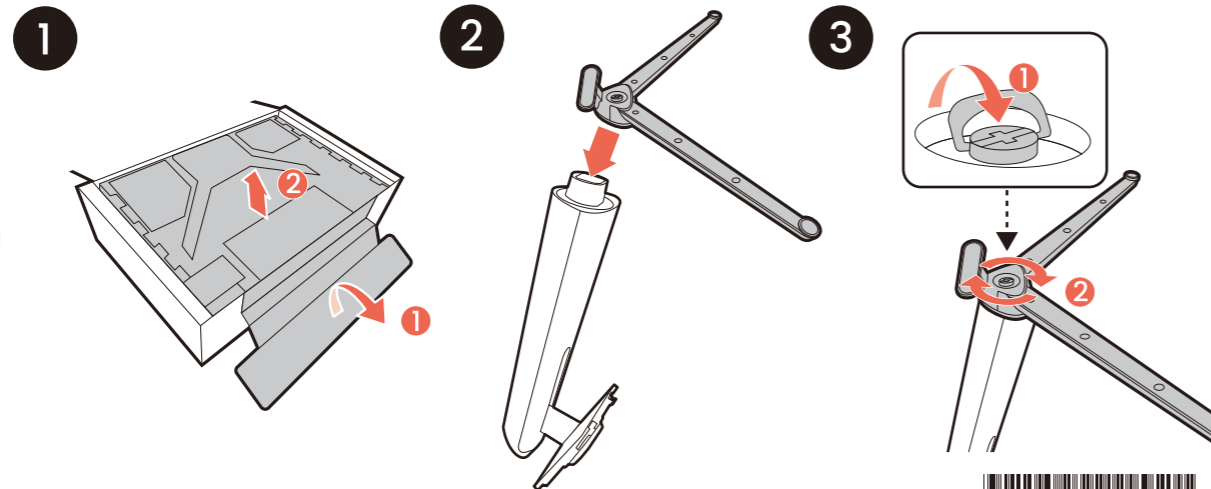
EX Series

DN: EX20U-EQ-V2
© 2024 BenQ Corporation. All rights reserved. Rights of modification reserved.

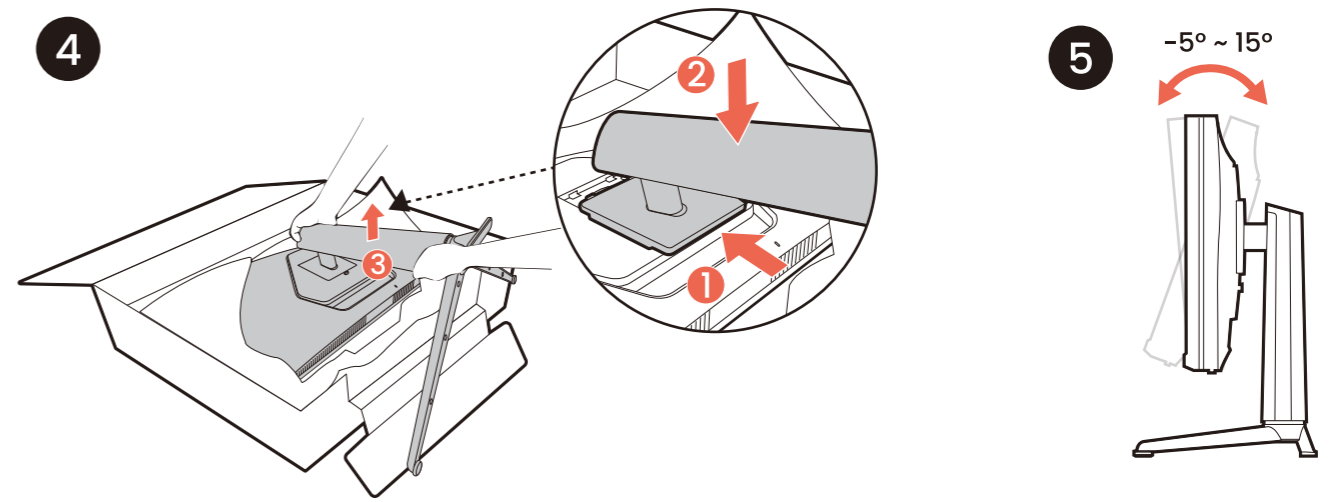
Package contents



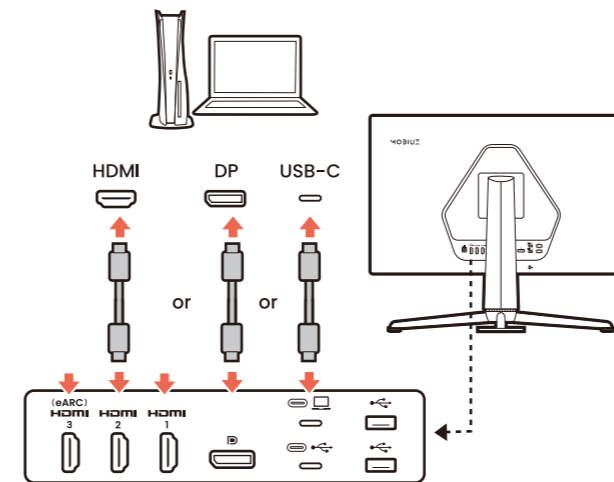
Setup



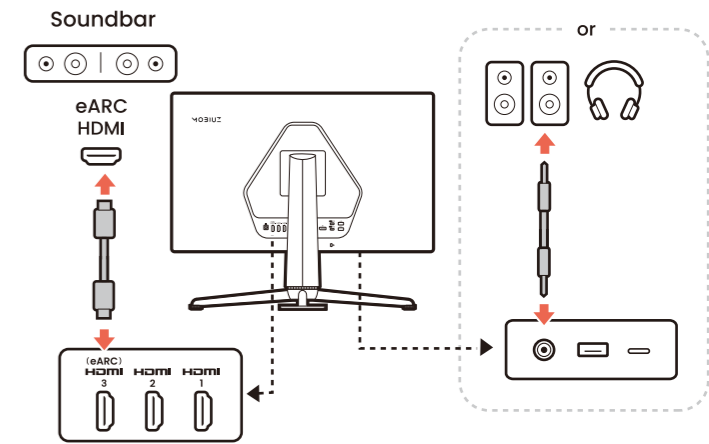
Setup video



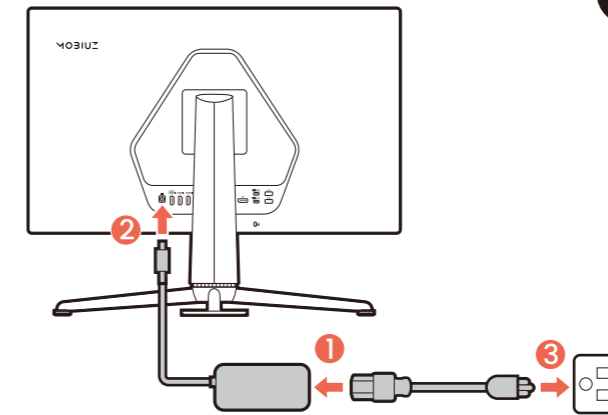
6 Video



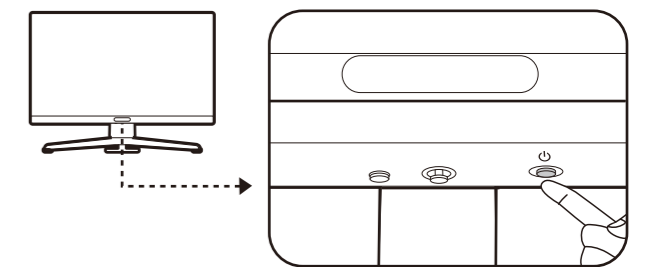
7 Audio



8



9



BenQ's Gaming Monitor

Unveil the Unseen

AI-Driven Technologies

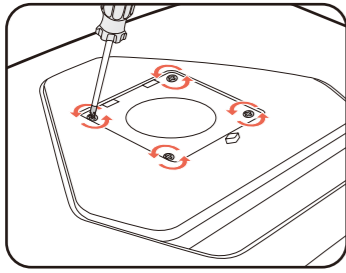
Gamer-Experienced Colors

Color modes

Shadow Phage | Sci-fi | Fantasy | Realistic

Setup for gaming

VESA mounting



M4 x 10 mm

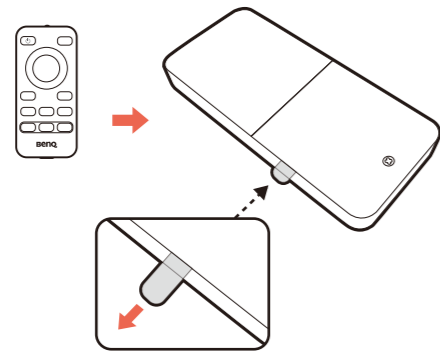
Installing software

Color Shuttle: Easily download, manage, and share color modes for game titles.

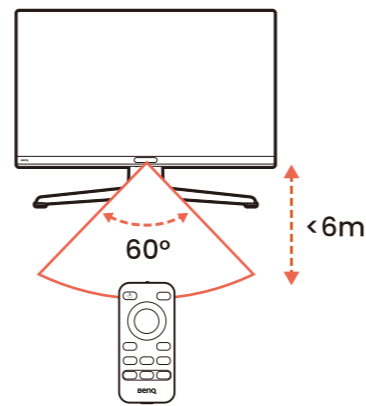
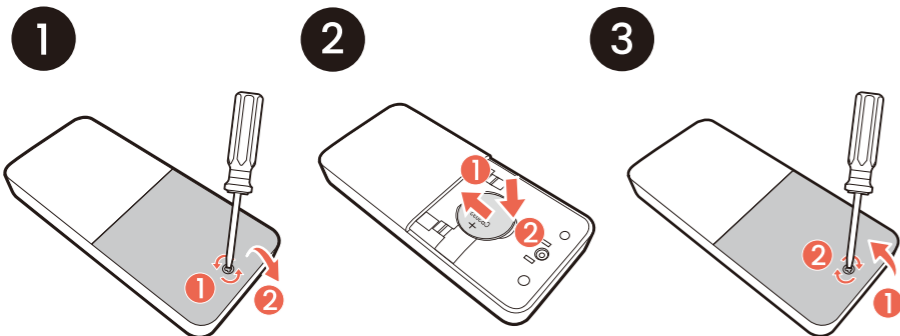


Remote control

Non-Europe



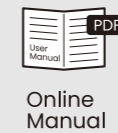
Europe



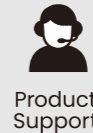
Support.BenQ.com



Warranty Information



Online Manual



Product Support



Software Download

