



MEG Series

OLED Monitor

MEG 342C QD-OLED (3DC4)

User Guide

Contents

Getting Started.....	3
Package Contents.....	3
Installing the Monitor Stand.....	4
Installing the Rear I/O Cover.....	5
Adjusting the Monitor.....	6
Monitor Overview.....	7
Connecting the Monitor to PC.....	10
OSD Setup.....	11
Navi Key.....	11
Hot Key.....	11
OSD Menus.....	12
G.I.....	13
Gaming.....	14
Professional.....	16
Image.....	16
Input Source.....	17
PIP/PBP.....	18
Navi Key.....	19
Setting.....	19
MSI OLED Care.....	22
Specifications.....	24
Preset Display Modes.....	26
Troubleshooting.....	29
Safety Instructions.....	30
TÜV Rheinland Certification.....	32
Regulatory Notices.....	33

Revision

V1.1, 2023/05

Getting Started

This chapter provides you with the information on hardware setup procedures. While connecting devices, be careful in holding the devices and use a grounded wrist strap to avoid static electricity.

Package Contents

Monitor	MEG 342C QD-OLED
Documentation	Quick Start Guide
Accessories	Stand with Screw(s)
	Stand Base with Screw(s)
	Mouse Bungee
	Rear I/O Cover
	Stand Cover
	Screw(s) for Wall Mount Bracket(s)
	Power Cord
Cables	DisplayPort Cable (Optional)
	Ultra High Speed HDMI™ Cable (Optional)
	USB Type-C Cable (Optional)
	USB Upstream Cable (Optional) (for USB Type-B Upstream Port)
	3.5mm Combo Audio Cable (Optional)

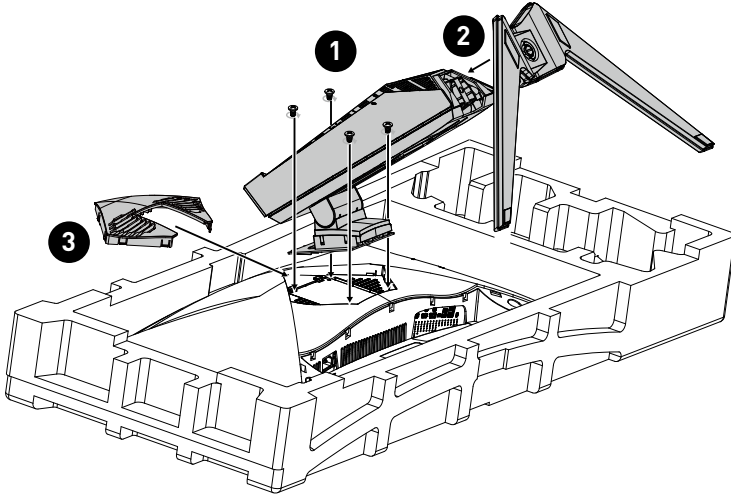


Important

- Contact your place of purchase or local distributor if any of the items is damaged or missing.
- Package contents may vary by country.
- The included power cord is exclusively for this monitor and should not be used with other products.

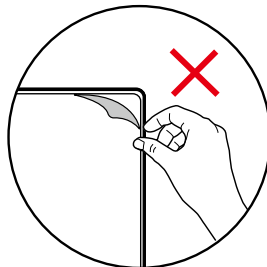
Installing the Monitor Stand

1. Leave the monitor in its protective foam packaging. Align the stand to the monitor groove. Tighten the stand with screws.
2. Connect the base to the stand and tighten the screw to secure the base.
3. Align and push the stand cover towards the monitor groove until it locks in place.
4. Make sure the stand assembly is properly installed before setting the monitor upright.



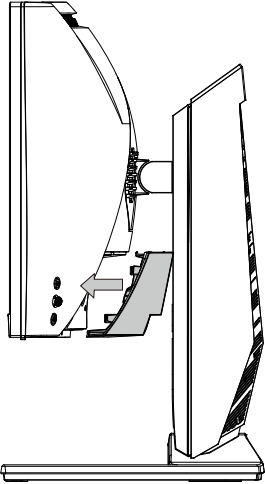
Important

- Place the monitor on a soft, protected surface to avoid scratching the display panel.
- Do not use any sharp objects on the panel.
- The groove for installing the stand bracket can also be used for wall mount. Please contact your dealer for proper wall mount kit.
- This product comes with **NO** protective film to be removed by the user! Any mechanical damages to the product including removal of the polarizing film may affect the warranty!



Installing the Rear I/O Cover

Install the accompanied rear I/O cover as shown below.

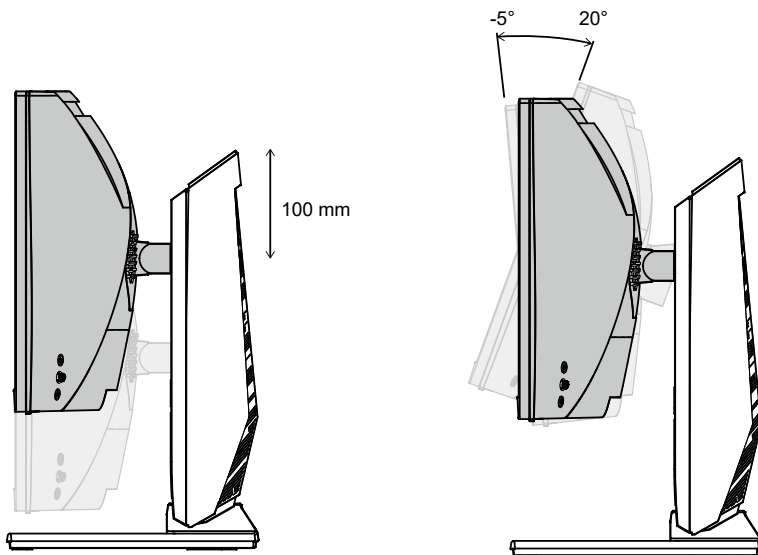


Adjusting the Monitor

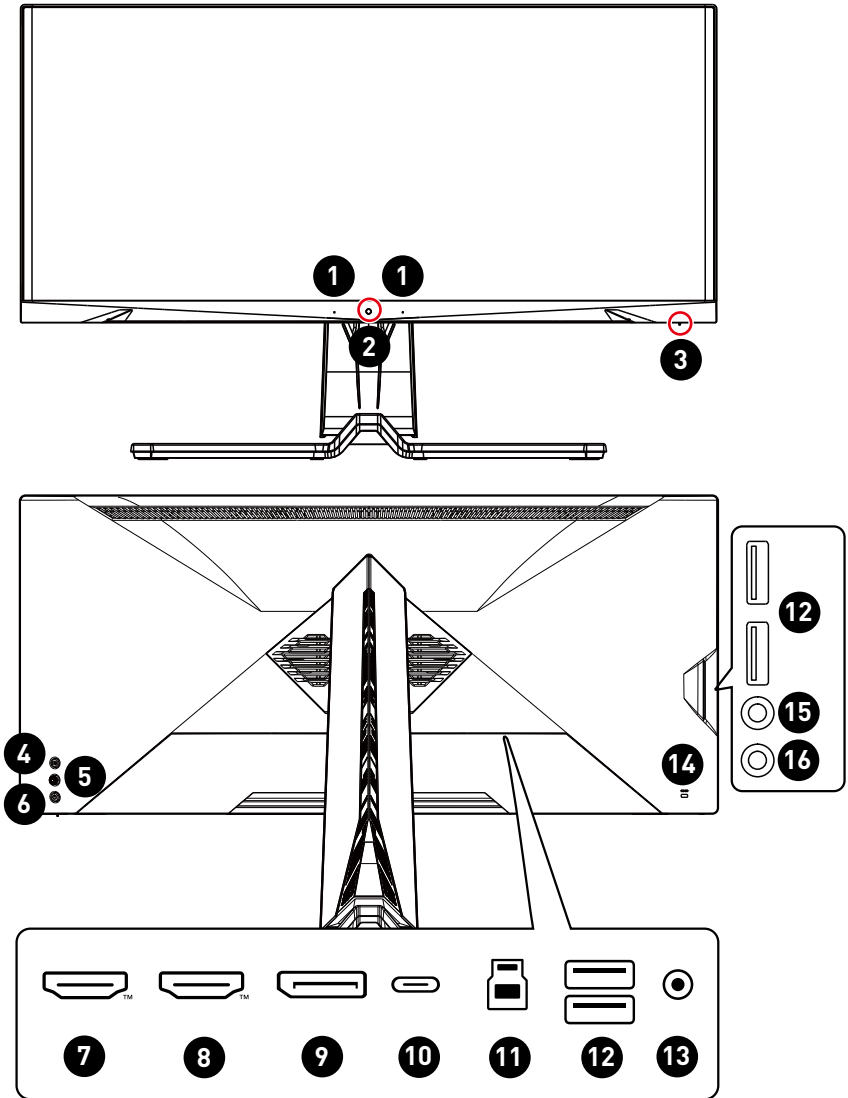
This monitor is designed to maximize your viewing comfort with its adjustment capabilities.




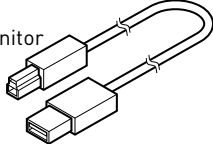
Important

- Avoid touching the display panel when adjusting the monitor.
- Please slightly tilt the monitor backwards before pivoting it.



Monitor Overview

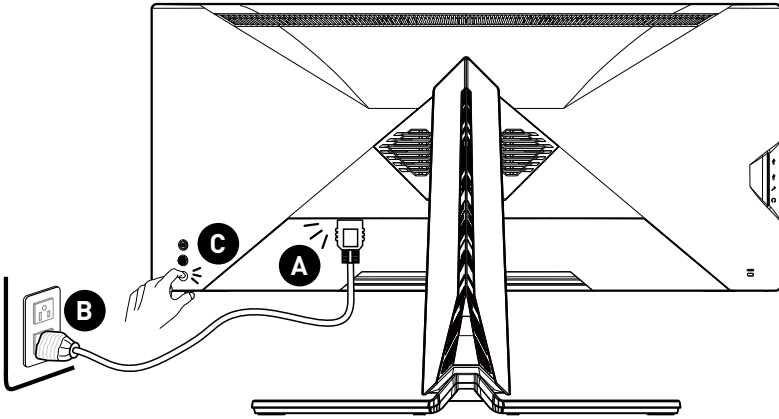


1	Microphone						
2	Light Sensor						
3	Power LED Lit in white after the monitor is turned on. If no signal input, the LED will turn into orange. Lit in orange when the monitor is in Stand-by mode.						
4	Macro Key To activate OSD Application.						
5	Navi Key						
6	Power Button						
7	HDMI™ Connector  Supports HDMI™ CEC, 3440x1440@175Hz as specified in HDMI™ 2.1.						
8	HDMI™ Connector  Supports 3440x1440@175Hz as specified in HDMI™ 2.1.						
9	DisplayPort Supports 3440x1440@175Hz as specified in DisplayPort 1.4.						
10	<table border="1" data-bbox="678 852 878 1069"> <thead> <tr> <th data-bbox="678 852 878 903">USB Type-C Power Delivery</th> </tr> </thead> <tbody> <tr> <td data-bbox="678 903 878 938">5V / 3A (15W)</td> </tr> <tr> <td data-bbox="678 938 878 973">9V / 3A (27W)</td> </tr> <tr> <td data-bbox="678 973 878 1008">12V / 3A (36W)</td> </tr> <tr> <td data-bbox="678 1008 878 1043">15V / 3A (45W)</td> </tr> <tr> <td data-bbox="678 1043 878 1069">20V / 3.25A (65W)</td> </tr> </tbody> </table> <p data-bbox="200 884 587 960">This port supports DisplayPort Alternate (DP Alt) Mode and up to 20V/3.25A (65W) power delivery.</p>	USB Type-C Power Delivery	5V / 3A (15W)	9V / 3A (27W)	12V / 3A (36W)	15V / 3A (45W)	20V / 3.25A (65W)
USB Type-C Power Delivery							
5V / 3A (15W)							
9V / 3A (27W)							
12V / 3A (36W)							
15V / 3A (45W)							
20V / 3.25A (65W)							
11	<p data-bbox="200 1088 561 1152">USB 3.2 Gen 1 Type-B Upstream Port For USB Upstream Cable.</p> <p data-bbox="200 1168 366 1216"> Important</p> <p data-bbox="200 1232 600 1353"><i>Check the package for USB Upstream Cable and connect it to the PC and monitor. Once this cable is connected, the USB Type-A Downstream Ports on the monitor will be ready for use.</i></p> <div data-bbox="646 1136 923 1311">  <p data-bbox="646 1161 753 1184">To Monitor</p> <p data-bbox="746 1289 806 1311">To PC</p> </div>						
12	USB 3.2 Gen 1 Port This connector is provided for USB peripheral devices. (Speed up to 5 Gbps)						

13	Combo Audio Jack
14	Kensington Lock
15	Microphone Jack
16	Headphone Jack

Connecting the Monitor to PC

1. Turn off your computer.
2. Connect the video cable from the monitor to your computer.
3. Connect the power cord to the monitor power jack. (Figure A)
4. Plug the power cord into the electrical outlet. (Figure B)
5. Turn on the monitor. (Figure C)
6. Power on the computer and the monitor will auto detect the signal source.



OSD Setup

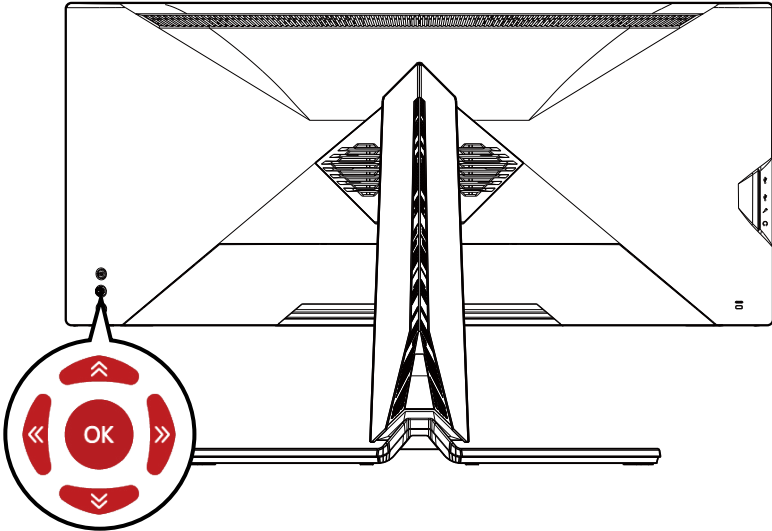
This chapter provides you with essential information on OSD Setup.



All information is subject to change without prior notice.

Navi Key

The monitor comes with a Navi Key, a multi-directional control that helps navigate the On-Screen Display (OSD) menu.



Up/Down/Left/Right:

- selecting function menus and items
- adjusting function values
- entering into/exiting from function menus

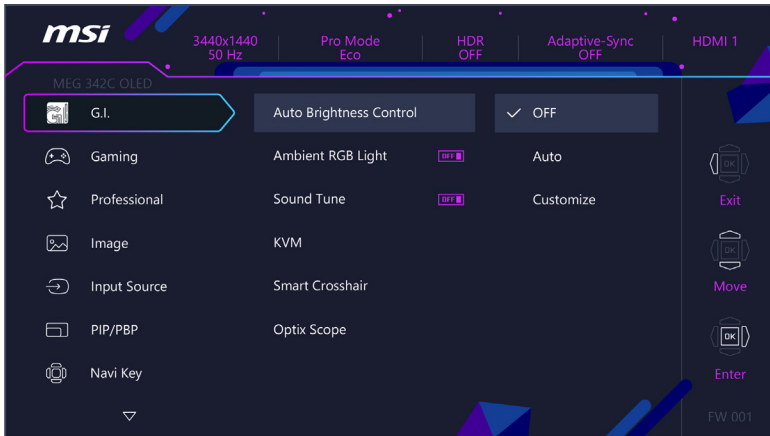
Press (OK):

- launching the On-Screen Display (OSD)
- entering submenus
- confirming a selection or setting

Hot Key

- Users may enter into preset function menus by moving the Navi Key up, down, left or right when the OSD menu is inactive.
- Users may customize their own Hot Keys to enter into different function menus.

OSD Menu



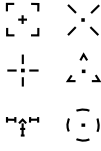
Important

The following settings will be grayed out when HDR signals are received:

- Night Vision
- Low Blue Light
- Brightness
- Contrast
- Color Temperature
- Optix Scope
- Auto Brightness Control
- Ambient RGB Light
- PIP/PBP

G.I.

1st Level Menu	2nd/3rd Level Menu	Description						
Auto Brightness Control	OFF	<ul style="list-style-type: none"> Through the internal Light Sensor and AI (Artificial Intelligence) algorithm, this function detects the ambient light and automatically sets the monitor to optimal brightness for users. Customize allows users to adjust the auto brightness curve. Activating Auto Brightness Control will affect: <table border="1"> <thead> <tr> <th>Affected Function</th> <th>Function Status</th> </tr> </thead> <tbody> <tr> <td>» Brightness</td> <td>Unable to select</td> </tr> </tbody> </table>	Affected Function	Function Status	» Brightness	Unable to select		
	Affected Function		Function Status					
	» Brightness		Unable to select					
Auto								
Customize								
Ambient RGB Light	OFF	<ul style="list-style-type: none"> Through the internal RGB Sensor and AI algorithm, this function detects the ambient color temperature and presents the best light effects synced to the environment. Activating Ambient RGB Light will affect: <table border="1"> <thead> <tr> <th>Affected Function</th> <th>Function Status</th> </tr> </thead> <tbody> <tr> <td>» Low Blue Light</td> <td>Set to OFF</td> </tr> <tr> <td>» Color Temperature</td> <td>Unable to select</td> </tr> </tbody> </table>	Affected Function	Function Status	» Low Blue Light	Set to OFF	» Color Temperature	Unable to select
	Affected Function		Function Status					
» Low Blue Light	Set to OFF							
» Color Temperature	Unable to select							
ON								
Sound Tune	OFF	<ul style="list-style-type: none"> Through the internal digital array microphone and AI algorithm, this function enables Active Noise Cancellation (ANC) technology. For Sound Tune to properly work, the computer needs to be connected to the USB Upstream port of the monitor. 						
	ON							
KVM	Auto	<ul style="list-style-type: none"> Auto allows the monitor to automatically switch between USB input sources, such as keyboards, mice or other USB devices. Users can also designate Upstream port or USB Type-C as the only USB signal source. 						
	Upstream							
	Type C							

1st Level Menu	2nd/3rd Level Menu		Description								
Smart Crosshair	Icon	None	<ul style="list-style-type: none"> Through AI algorithm, this function enhances the visibility of in-game crosshair. Users can select the color and position of the crosshair. 								
											
		Color		White							
		Red									
	Auto										
	Position	Reset									
Optix Scope	Scope Size	Small	<ul style="list-style-type: none"> The center point will zoom in when Optix Scope is enabled, user can adjust the details through the "Scope Size" and "Scope Ratio" settings. Smart Crosshair and Optix Scope can be enabled at the same time. Activating Optix Scope will affect: <table border="1" data-bbox="551 849 934 986"> <thead> <tr> <th>Affected Function</th> <th>Function Status</th> </tr> </thead> <tbody> <tr> <td>» Adaptive-Sync</td> <td>Set to OFF</td> </tr> <tr> <td>» PIP/PBP</td> <td>Set to Auto</td> </tr> <tr> <td>» Screen Size 1:1</td> <td>Set to Auto</td> </tr> </tbody> </table> 	Affected Function	Function Status	» Adaptive-Sync	Set to OFF	» PIP/PBP	Set to Auto	» Screen Size 1:1	Set to Auto
		Affected Function		Function Status							
		» Adaptive-Sync		Set to OFF							
	» PIP/PBP	Set to Auto									
	» Screen Size 1:1	Set to Auto									
	Medium										
	Large										
	Scope Ratio	x1.5									
x2											
x4											
OFF											
ON											

Gaming

1st Level Menu	2nd/3rd Level Menu	Description
Game Mode	Premium Color	<ul style="list-style-type: none"> Use Up or Down Button to select and preview mode effects. Press the OK Button to confirm and apply your mode type.
	User	
	FPS	
	Racing	
	RTS	
	RPG	

1st Level Menu	2nd/3rd Level Menu		Description							
Night Vision	OFF		<ul style="list-style-type: none"> This function optimizes background brightness and is recommended for FPS games. 							
	Normal									
	Strong									
	Strongest									
	A.I.									
Refresh Rate	Location	Left Top	<ul style="list-style-type: none"> Location is adjustable in OSD Menu. Press the OK Button to confirm and apply your Refresh Rate Location. This monitor follows and works at the Operating System's preset Screen Refresh Rate. 							
		Right Top								
		Left Bottom								
		Right Bottom								
		Customize								
	OFF									
	ON									
Alarm Clock	Location	Left Top	<ul style="list-style-type: none"> After setting the time, press the OK Button to activate the timer. Users have to manually restore their preset Alarm Clock after any AC power loss and reconnection. 							
		Right Top								
		Left Bottom								
		Right Bottom								
		Customize								
	OFF									
	15:00	00:01 ~ 99:59								
	30:00									
	45:00									
	60:00									
Adaptive-Sync	OFF		<ul style="list-style-type: none"> Adaptive-Sync prevents screen tearing. Activating Adaptive-Sync will affect: <table border="1" data-bbox="551 1182 933 1337"> <thead> <tr> <th>Affected Function</th> <th>Function Status</th> </tr> </thead> <tbody> <tr> <td>» Screen Size 1:1</td> <td>Set to Auto</td> </tr> <tr> <td>» PIP/PBP</td> <td rowspan="2">Set to OFF</td> </tr> <tr> <td>» Optix Scope</td> </tr> </tbody> </table> 	Affected Function	Function Status	» Screen Size 1:1	Set to Auto	» PIP/PBP	Set to OFF	» Optix Scope
	Affected Function	Function Status								
	» Screen Size 1:1	Set to Auto								
» PIP/PBP	Set to OFF									
» Optix Scope										
ON										

Professional

1st Level Menu	2nd Level Menu	Description				
Pro Mode	Eco	<ul style="list-style-type: none"> • Use Up or Down Button to select and preview mode effects. • Press the OK Button to confirm and apply your mode type. 				
	User					
	Anti-Blue					
	Movie					
	Office					
	sRGB					
	Adobe RGB					
	Display P3					
Low Blue Light	OFF	<ul style="list-style-type: none"> • Low Blue Light protects your eyes against blue light. When enabled, Low Blue Light adjusts the screen color temperature to a more yellow glow. • When Pro Mode is set to Anti-Blue, it is mandatory to enable Low Blue Light. • This monitor is a Low Blue Light monitor which will decrease the blue light emitted without adjusting the OSD settings. • Activating Low Blue Light will affect: <table border="1" data-bbox="512 858 916 943"> <thead> <tr> <th>Affected Function</th> <th>Function Status</th> </tr> </thead> <tbody> <tr> <td>» Ambient RGB Light</td> <td>Set to OFF</td> </tr> </tbody> </table> 	Affected Function	Function Status	» Ambient RGB Light	Set to OFF
	Affected Function		Function Status			
» Ambient RGB Light	Set to OFF					
ON						
Image Enhancement	OFF	<ul style="list-style-type: none"> • Image Enhancement enhances image edges to improve their acutance. 				
	Weak					
	Medium					
	Strong					
	Strongest					

Image

1st Level Menu	2nd/3rd Level Menu	Description
Brightness	0-100	<ul style="list-style-type: none"> • Properly adjust Brightness according to the surrounding lighting.
Contrast	0-100	<ul style="list-style-type: none"> • Properly adjust Contrast to relax your eyes.
Sharpness	0-5	<ul style="list-style-type: none"> • Sharpness improves clarity and details of images.

1st Level Menu	2nd/3rd Level Menu	Description								
Color Temperature	Cool	<ul style="list-style-type: none"> • Use Up or Down Button to select and preview mode effects. • Press the OK Button to confirm and apply your mode type. • Users can adjust Color Temperature in Customization mode. 								
	Normal									
	Warm									
	Customization		R (0-100)							
		G (0-100)								
		B (0-100)								
Screen Size	Auto	<ul style="list-style-type: none"> • Users can adjust Screen Size in any mode, any resolution and any screen refresh rate. • Activating Screen Size 1:1 will affect: <table border="1"> <thead> <tr> <th>Affected Function</th> <th>Function Status</th> </tr> </thead> <tbody> <tr> <td>» Adaptive-Sync</td> <td>Set to OFF</td> </tr> <tr> <td>» Optix Scope</td> <td></td> </tr> <tr> <td>» PIP/PBP</td> <td></td> </tr> </tbody> </table>	Affected Function	Function Status	» Adaptive-Sync	Set to OFF	» Optix Scope		» PIP/PBP	
	Affected Function		Function Status							
	» Adaptive-Sync		Set to OFF							
	» Optix Scope									
	» PIP/PBP									
4:3										
16:9										
21:9										
1:1										
DisplayHDR	True Black 400	Users can set the DisplayHDR to True Black 400 or Peak 1000 nits.								
	Peak 1000 nits									

Input Source

1st Level Menu	2nd Level Menu	Description
HDMI™ 1		<ul style="list-style-type: none"> • Users can adjust Input Source in any mode.
HDMI™ 2		
DP		
Type C		
Auto Scan	OFF	<ul style="list-style-type: none"> • Users can use the Navi Key to select Input Source at below status: • While "Auto Scan" is set to "OFF" with the monitor at power saving mode; • While "No Signal" message box is shown on the monitor.
	ON	

PIP/PBP

1st Level Menu	2nd/3rd Level Menu		Description											
OFF														
PIP	Source	HDMI™ 1	<ul style="list-style-type: none"> PIP (Picture in Picture) allows users to simultaneously display multiple video sources on one screen. One program is displayed on the full screen at the same time as one or more other programs are displayed in inset windows. PBP (Picture by Picture) is a similar feature that displays two input sources side-by-side on the screen. Display Switch allows users to switch between primary and secondary input sources. If there is only one signal input, the Display Switch and Audio Switch will be grayed out. Users can adjust the ratio of window division by switching mode 1/ 2. Activating PIP/PBP will affect: <table border="1" data-bbox="551 774 932 997"> <thead> <tr> <th>Affected Function</th> <th>Function Status</th> </tr> </thead> <tbody> <tr> <td>» Adaptive-Sync</td> <td rowspan="3">Set to OFF</td> </tr> <tr> <td>» Optix Scope</td> </tr> <tr> <td>» HDMI™ CEC</td> </tr> <tr> <td>» Screen Size 1:1</td> <td>Set to Auto</td> </tr> <tr> <td>» DisplayHDR</td> <td rowspan="2">Unable to select</td> </tr> <tr> <td>» HDMI™ 2.1</td> </tr> </tbody> </table> 	Affected Function	Function Status	» Adaptive-Sync	Set to OFF	» Optix Scope	» HDMI™ CEC	» Screen Size 1:1	Set to Auto	» DisplayHDR	Unable to select	» HDMI™ 2.1
		Affected Function		Function Status										
		» Adaptive-Sync		Set to OFF										
		» Optix Scope												
	» HDMI™ CEC													
	» Screen Size 1:1	Set to Auto												
	» DisplayHDR	Unable to select												
	» HDMI™ 2.1													
	HDMI™ 2													
	DP													
	Type C													
	PIP Size	Small												
Medium														
Large														
Location	Left Top													
	Right Top													
	Left Bottom													
	Right Bottom													
	Customize													
Display Switch														
Audio Switch														
PBP	Mode 1		<table border="1" data-bbox="551 774 932 997"> <thead> <tr> <th>Affected Function</th> <th>Function Status</th> </tr> </thead> <tbody> <tr> <td>» Adaptive-Sync</td> <td rowspan="3">Set to OFF</td> </tr> <tr> <td>» Optix Scope</td> </tr> <tr> <td>» HDMI™ CEC</td> </tr> <tr> <td>» Screen Size 1:1</td> <td>Set to Auto</td> </tr> <tr> <td>» DisplayHDR</td> <td rowspan="2">Unable to select</td> </tr> <tr> <td>» HDMI™ 2.1</td> </tr> </tbody> </table>	Affected Function	Function Status	» Adaptive-Sync	Set to OFF	» Optix Scope	» HDMI™ CEC	» Screen Size 1:1	Set to Auto	» DisplayHDR	Unable to select	» HDMI™ 2.1
	Affected Function	Function Status												
	» Adaptive-Sync	Set to OFF												
	» Optix Scope													
	» HDMI™ CEC													
	» Screen Size 1:1	Set to Auto												
	» DisplayHDR	Unable to select												
	» HDMI™ 2.1													
	Mode 2													
	Source 1	HDMI™ 1												
		HDMI™ 2												
		DP												
Type C														
Source 2	HDMI™ 1													
	HDMI™ 2													
	DP													
	Type C													
Display Switch														
Audio Switch														

Navi Key

1st Level Menu	2nd Level Menu	Description
Up	OFF	<ul style="list-style-type: none"> All Navi Key items can be adjusted via OSD Menus.
Down	Brightness	
Left	Game Mode	
Right	Smart Crosshair	
	Alarm Clock	
	Input Source	
	PIP/PBP Mode	
	Refresh Rate	
	Info. On Screen	
	Night Vision	
	Optix Scope	
	KVM	

Setting

1st Level Menu	2nd Level Menu	Description
Language	繁體中文	<ul style="list-style-type: none"> Users have to press the OK Button to confirm and apply the Language setting. Language is an independent setting. Users' own language setting will override the factory default. When users set Reset to Yes, Language will not be changed.
	English	
	Français	
	Deutsch	
	Italiano	
	Español	
	한국어	
	日本語	
	Русский	
	Português	
	简体中文	
	Bahasa Indonesia	
	Türkçe	
	(More languages coming soon)	
Transparency	0~5	<ul style="list-style-type: none"> Users can adjust Transparency in any mode.

1st Level Menu	2nd Level Menu	Description	
OSD Time Out	5~30s	<ul style="list-style-type: none"> Users can adjust OSD Time Out in any mode. 	
Audio Source	Analog	<ul style="list-style-type: none"> Make sure the audio cable is well connected between monitor and computer before selecting Analog Source. 	
	Digital		
SpectrumBar	OFF	<ul style="list-style-type: none"> Users can adjust SpectrumBar to MSI - Mystic Light, MSI - Glow Sync or OFF. 	
	MSI - Mystic Light		
	MSI - Glow Sync		
	RGB Brightness	20%	<ul style="list-style-type: none"> Users can adjust RGB Brightness.
		40%	
60%			
80%			
100%			
Power Button	OFF	<ul style="list-style-type: none"> When set to OFF, users can press the power button to turn off the monitor. 	
	Standby	<ul style="list-style-type: none"> When set to Standby, users can press the power button to turn off the panel and backlight. 	
Info. On Screen	OFF	<ul style="list-style-type: none"> The information of the monitor status will be shown on the right side of the screen. 	
	ON		
HDMI™ 2.1	Console	<ul style="list-style-type: none"> To reach maximum resolution of 3440x1440@175Hz, users have to set HDMI™ 2.1 to PC. 	
	PC		

1st Level Menu	2nd Level Menu	Description
HDMI™ CEC	OFF	<ul style="list-style-type: none"> HDMI™ CEC (Consumer Electronics Control) supports Sony PlayStation®, Nintendo® Switch™, Xbox Series X S consoles and various audio-visual devices that are CEC-capable. If HDMI™ CEC is set to ON: <ul style="list-style-type: none"> The monitor will automatically power on when the CEC device is turned on. The CEC device will enter power saving mode when the monitor is turned off. When Sony PlayStation®, Nintendo® Switch™, or Xbox Series X S console is connected, Game Mode and Pro Mode will be automatically set to default modes and can be adjusted to users' preferred modes later.
	ON	
Type C PD Charge	OFF	<ul style="list-style-type: none"> Type-C PD Charge enables users to charge their devices through a USB Type-C connector, which can deliver up to 65W (20V/3.25A).
	ON	
Reset	YES	<ul style="list-style-type: none"> Users can Reset and restore settings to original OSD Default in any mode.
	NO	

MSI OLED Care

1st Level Menu	2nd/3rd Level Menu	Description
Pixel Shift	Slow	<ul style="list-style-type: none"> Pixel Shift moves the pixels of your screen at regular intervals to reduce the possibility of screen burn-in or image retention.
	Normal	
	Fast	
Panel Protect	Short Time	<ul style="list-style-type: none"> To maintain panel image quality, panel protect (short time) function will automatically activate when monitor using over 4 hours. This protect function may take several minutes to complete. The power indicator will blink orange color until process done. During process executing, please do not unplug the power cord from monitor. During process executing, press power button again to cancel this function.
	Long Time	<ul style="list-style-type: none"> To maintain panel image quality, panel protect (long time) function will automatically activate when monitor using over 1,500 hours. This protect function may take an hour to complete. The power indicator will blink white color until process done. You may see a line scrolling on the screen during the process, which is normal and not a malfunction. During process executing, please do not unplug the power cord from monitor. During process executing, press power button again to cancel this function.

1st Level Menu	2nd/3rd Level Menu		Description
Static Screen Detection	OFF		<ul style="list-style-type: none"> If Static Screen Detection is set to ON: When detecting static visuals over long periods of time, the monitor reduces brightness to prevent screen burn-in. Once detecting moving visuals, the monitor restores its previous brightness setting.
	ON		
	Starting in	50 Sec	<ul style="list-style-type: none"> Starting in detects the time a static image remains on the screen.
		100 Sec	
	Time required	120 Sec	<ul style="list-style-type: none"> Time required specifies the time for brightness reduction after detecting a static image for 50/100 seconds. The brightness reduction level depends on the setting of Reducing Level.
240 Sec			
Reducing Level	1-7		<ul style="list-style-type: none"> Users can select a level for brightness reduction. Reducing effect depends on Brightness/DisplayHDR setting.
OLED Panel Info.			<ul style="list-style-type: none"> This field shows the information of MSI OLED Care.

Specifications

Monitor	MEG 342C QD-OLED
Size	34 inch
Curvature	1800R
Panel Type	OLED
Resolution	3440 x 1440 (UWQHD)
Aspect Ratio	21:9
Brightness	<ul style="list-style-type: none"> • SDR: 250 nits (typ.) • HDR Peak: 1000 nits
Contrast Ratio	1000000:1
Refresh Rate	175Hz
Response Time	0.03ms (GTG)
I/O	<ul style="list-style-type: none"> • HDMI™ Connector x 2 • DisplayPort x 1 • USB Type-C Port x 1 • USB 3.2 Gen 1 Type-B Upstream Port x1 • USB 3.2 Gen 1 Port x4 • Headphone Jack x1 • Microphone Jack x1 • Combo Audio Jack x 1
View Angles	178°(H) , 178°(V)
DCI-P3*/ sRGB	99.3%/ 139.1%
Surface Treatment	Anti-Reflection
Display Colors	1.07B (10 bits)
Monitor Power Options	100~240Vac, 50/60Hz, 3.5A
Power Consumption (Typical)	Power On < 280W Standby < 0.5W Power Off < 0.3W
Adjustment (Height)	0 ~ 100mm
Adjustment (Tilt)	-5° ~ 20°
Adjustment (Swivel)	
Adjustment (Pivot)	
Kensington Lock	Yes

Monitor		MEG 342C QD-OLED
VESA Mounting		<ul style="list-style-type: none"> • Plate Type: 100 x 100 mm • Screw Type: M4 x 10 mm <ul style="list-style-type: none"> • Thread Diameter: 4 mm • Thread Pitch: 0.7 mm • Thread Length: 10 mm
Dimension (W x H x D)		814.3 x 463.4 x 292.6 mm
Weight	Net	9.3 kg
	Gross	13.9 kg
Environment	Operating	<ul style="list-style-type: none"> • Temperature: 0°C to 40°C • Humidity: 20% to 90%, non-condensing • Altitude: 0 ~ 5000m
	Storage	<ul style="list-style-type: none"> • Temperature: -20°C to 60°C • Humidity: 10% to 90%, non-condensing

* Based on CIE1976 test standards.

Preset Display Modes



All information is subject to change without prior notice.

Standard	Resolution		MEG 342C QD-OLED		
			HDMI™	DP	Type-C
VGA	640x480	@60Hz	V	V	V
		@67Hz	V	V	V
		@72Hz	V	V	V
		@75Hz	V	V	V
SVGA	800x600	@56Hz	V	V	V
		@60Hz	V	V	V
		@72Hz	V	V	V
		@75Hz	V	V	V
XGA	1024x768	@60Hz	V	V	V
		@70Hz	V	V	V
		@75Hz	V	V	V
SXGA	1280x1024	@60Hz	V	V	V
		@75Hz	V	V	V
WXGA+	1440x900	@60Hz	V	V	V
WSXGA+	1680x1050	@60Hz	V	V	V
Full HD	1920x1080	@60Hz	V	V	V
QHD	2560x1440	@60Hz	V	V	V
		@120Hz	V	V	V
UWQHD	3440x1440	@50Hz	V		
		@60Hz	V *	V	V
		@100Hz	V	V	V
		@144Hz	V *	V	V
		@175Hz	V *	V	V

Standard	Resolution		MEG 342C QD-OLED		
			HDMI™	DP	Type-C
Video Timing Resolution	480P		V	V	V
	576P		V	V	V
	720P		V	V	V
	1080P	@60Hz	V	V	V
		@120Hz	V	V	V
	2160P	@30Hz	V		
		@50Hz	V		
		@60Hz	V		
@120Hz		V			

* Users have to set HDMI™ 2.1 to PC.

Standard	Resolution		PIP Mode w/o HDR		
			HDMI™	DP	Type-C
Full HD	1920x1080	@60Hz	V	V	V
QHD	2560x1440	@60Hz	V	V	V
WUQHD	3440x1440	@50Hz	V		
		@60Hz	V	V	V
Video Timing Resolution	480P		V	V	V
	576P		V	V	V
	720P		V	V	V
	1080P	@60Hz	V	V	V
		@30Hz	V	V	
	2160P	@50Hz	V	V	
@60Hz		V	V		

Standard	Resolution		PBP Mode 1 w/o HDR		
			HDMI™	DP	Type-C
Full HD	1920x1080	@60Hz	V	V	V
Video Timing Resolution	480P		V	V	V
	576P		V	V	V
	720P		V	V	V
	1080P	@60Hz	V	V	V
	2160P	@30Hz	V	V	
		@50Hz	V	V	
@60Hz		V	V		
Used for PBP Full Screen	860x1440	@60Hz	V	V	V
	2580x1440	@60Hz	V	V	V

Standard	Resolution		PBP Mode 2 w/o HDR		
			HDMI™	DP	Type-C
Full HD	1920x1080	@60Hz	V	V	V
QHD	2560x1440	@60Hz			V
Video Timing Resolution	480P		V	V	V
	576P		V	V	V
	720P		V	V	V
	1080P	@60Hz	V	V	V
	2160P	@30Hz	V	V	
		@50Hz	V	V	
@60Hz		V	V		
Used for PBP Full Screen	1720x1440	@60Hz	V	V	V

Troubleshooting

The power LED is off.

- Press the monitor power button again.
- Check if the monitor power cable is properly connected.

No image.

- Check if the computer graphics card is properly installed.
- Check if the computer and monitor are connected to electrical outlets and are turned on.
- Check if the monitor signal cable is properly connected.
- The computer may be in Standby mode. Press any key to activate the monitor.

The screen image is not properly sized or centered.

- Refer to Preset Display Modes to set the computer to a setting suitable for the monitor to display.

No Plug & Play.

- Check if the monitor power cable is properly connected.
- Check if the monitor signal cable is properly connected.
- Check if the computer and graphics card are Plug & Play compatible.

The icons, font or screen are fuzzy, blurry or have color problems.

- Avoid using any video extension cables.
- Adjust brightness and contrast.
- Adjust RGB color or tune color temperature.
- Check if the monitor signal cable is properly connected.
- Check for bent pins on the signal cable connector.

The monitor starts flickering or shows waves.

- Change the refresh rate to match the capabilities of your monitor.
- Update your graphics card drivers.
- Keep the monitor away from electrical devices that may cause electromagnetic interference (EMI).

Safety Instructions

- Read the safety instructions carefully and thoroughly.
- All cautions and warnings on the device or User Guide should be noted.
- Refer servicing to qualified personnel only.

Power

- Make sure that the power voltage is within its safety range and has been adjusted properly to the value of 100~240V before connecting the device to the power outlet.
- If the power cord comes with a 3-pin plug, do not disable the protective earth pin from the plug. The device must be connected to an earthed mains socket-outlet.
- Please confirm the power distribution system in the installation site shall provide the circuit breaker rated 120/240V, 20A (maximum).
- Always disconnect the power cord or switch the wall socket off if the device would be left unused for a certain time to achieve zero energy consumption.
- Place the power cord in a way that people are unlikely to step on it. Do not place anything on the power cord.
- If this device comes with an adapter, use only the MSI provided AC adapter approved for use with this device.

Battery

Please take special precautions because this device comes with a battery.

- Danger of explosion if battery is incorrectly replaced. Replace only with the same or equivalent type recommended by the manufacturer.
- Avoid disposal of a battery into fire or a hot oven, or mechanically crushing or cutting of a battery, which can result in an explosion.
- Avoid leaving a battery in an extremely high temperature or extremely low air pressure environment that can result in an explosion or the leakage of flammable liquid or gas.
- Do not ingest battery. If the coin/button cell battery is swallowed, it can cause severe internal burns and can lead to death. Keep new and used batteries away from children.

European Union:



Batteries, battery packs, and accumulators should not be disposed of as unsorted household waste. Please use the public collection system to return, recycle, or treat them in compliance with the local regulations.

BSMI:



廢電池請回收

For better environmental protection, waste batteries should be collected separately for recycling or special disposal.

California, USA:



The button cell battery may contain perchlorate material and requires special handling when recycled or disposed of in California. For further information please visit: <https://dtsc.ca.gov/perchlorate/>

Environment

- To reduce the possibility of heat-related injuries or of overheating the device, do not place the device on a soft, unsteady surface or obstruct its air ventilators.
- Use this device only on a hard, flat and steady surface.
- To prevent the device from tipping over, secure the device to a desk, wall or fixed object with an anti-tip fastener that helps to properly support the device and keep it safe in place.
- To prevent fire or shock hazard, keep this device away from humidity and high temperature.
- Do not leave the device in an unconditioned environment with a storage temperature above 60°C or below -20°C, which may damage the device.
- The maximum operating temperature is around 40°C.
- When cleaning the device, be sure to remove the power plug. Use a piece of soft cloth rather than industrial chemical to clean the device. Never pour any liquid into the opening; that could damage the device or cause electric shock.
- Always keep strong magnetic or electrical objects away from the device.
- If any of the following situations arises, get the device checked by service personnel:
 - The power cord or plug is damaged.
 - Liquid has penetrated into the device.
 - The device has been exposed to moisture.
 - The device does not work well or you can not get it working according to the User Guide.
 - The device has dropped and damaged.
 - The device has obvious sign of breakage.

TÜV Rheinland Certification

TÜV Rheinland Low Blue Light Certification

Blue light has been shown to cause eye fatigue and discomfort. MSI now offers monitors with TÜV Rheinland Low Blue Light certification to ensure users' eye comfort and well-being. Please follow the instructions below to reduce the symptoms from extended exposure to the screen and blue light.



Low Blue Light
(Hardware
Solution)

www.tuv.com

- Place the screen 20 – 28 inches (50 – 70 cm) away from your eyes and a little below eye level.
- Consciously blinking the eyes every now and then will help to reduce eye strain after extended screen time.
- Take breaks for 20 minutes every 2 hours.
- Look away from the screen and gaze at a distant object for at least 20 seconds during breaks.
- Make stretches to relieve body fatigue or pain during breaks.
- Turn on the optional Low Blue Light function.

TÜV Rheinland Flicker Free Certification

- TÜV Rheinland has tested this product to ascertain whether the display produces visible and invisible flicker for the human eye and therefore strains the eyes of users.
- TÜV Rheinland has defined a catalogue of tests, which sets out minimum standards at various frequency ranges. The test catalogue is based on internationally applicable standards or standards common within the industry and exceeds these requirements.
- The product has been tested in the laboratory according to these criteria.
- The keyword "Flicker Free" confirms that the device has no visible and invisible flicker defined in this standard within the range of 0 - 3000 Hz under various brightness settings.
- The display will not support Flicker Free when Anti Motion Blur/MPRT is enabled. (The availability of Anti Motion Blur/MPRT varies by products.)



Flicker Free

www.tuv.com

Regulatory Notices

CE Conformity

This device complies with the requirements set out in the Council Directive on the Approximation of the Laws of the Member States relating to Electromagnetic Compatibility (2014/30/EU), Low-voltage Directive (2014/35/EU), ErP Directive (2009/125/EC) and RoHS directive (2011/65/EU). This product has been tested and found to comply with the harmonized standards for Information Technology Equipment published under Directives of Official Journal of the European Union.



FCC-B Radio Frequency Interference Statement

This equipment has been tested and found to comply with the limits for a Class B digital device, pursuant to Part 15 of the FCC Rules. These limits are designed to provide reasonable protection against harmful interference in a residential installation. This equipment generates, uses and can radiate radio frequency energy and, if not installed and used in accordance with the instruction manual, may cause harmful interference to radio communications. However, there is no guarantee that interference will not occur in a particular installation. If this equipment does cause harmful interference to radio or television reception, which can be determined by turning the equipment off and on, the user is encouraged to try to correct the interference by one or more of the measures listed below:



- Reorient or relocate the receiving antenna.
- Increase the separation between the equipment and receiver.
- Connect the equipment into an outlet on a circuit different from that to which the receiver is connected.
- Consult the dealer or an experienced radio/television technician for help.

Notice 1

The changes or modifications not expressly approved by the party responsible for compliance could void the user's authority to operate the equipment.

Notice 2

Shielded interface cables and AC power cord, if any, must be used in order to comply with the emission limits.

This device complies with Part 15 of the FCC Rules. Operation is subject to the following two conditions:

1. This device may not cause harmful interference, and
2. This device must accept any interference received, including interference that may cause undesired operation.

MSI Computer Corp.

901 Canada Court, City of Industry, CA 91748, USA

(626) 913-0828

www.msi.com

WEEE Statement

Under the European Union ("EU") Directive on Waste Electrical and Electronic Equipment, Directive 2012/19/EU, products of "electrical and electronic equipment" cannot be discarded as municipal waste anymore and manufacturers of covered electronic equipment will be obligated to take back such products at the end of their useful life.



Chemical Substances Information

In compliance with chemical substances regulations, such as the EU REACH Regulation (Regulation EC No. 1907/2006 of the European Parliament and the Council), MSI provides the information of chemical substances in products at: <https://csr.msi.com/global/index>

RoHS Statement

Japan JIS C 0950 Material Declaration

A Japanese regulatory requirement, defined by specification JIS C 0950, mandates that manufacturers provide material declarations for certain categories of electronic products offered for sale after July 1, 2006. <https://csr.msi.com/global/Japan-JIS-C-0950-Material-Declarations>

India RoHS

This product complies with the "India E-waste (Management and Handling) Rule 2016" and prohibits use of lead, mercury, hexavalent chromium, polybrominated biphenyls or polybrominated diphenyl ethers in concentrations exceeding 0.1 weight % and 0.01 weight % for cadmium, except for the exemptions set in Schedule 2 of the Rule.

Turkey EEE Regulation

Conforms to the EEE Regulations of the Republic Of Turkey

Ukraine Restriction of Hazardous Substances

The equipment complies with requirements of the Technical Regulation, approved by the Resolution of Cabinet of Ministry of Ukraine as of 10 March 2017, № 139, in terms of restrictions for the use of certain dangerous substances in electrical and electronic equipment.

Vietnam RoHS

As from December 1, 2012, all products manufactured by MSI comply with Circular 30/2011/TT-BCT temporarily regulating the permitted limits for a number of hazardous substances in electronic and electric products.

Green Product Features

- Reduced energy consumption during use and stand-by
- Limited use of substances harmful to the environment and health
- Easily dismantled and recycled
- Reduced use of natural resources by encouraging recycling
- Extended product lifetime through easy upgrades
- Reduced solid waste production through take-back policy

Environmental Policy

- The product has been designed to enable proper reuse of parts and recycling and should not be thrown away at its end of life.
- Users should contact the local authorized point of collection for recycling and disposing of their end-of-life products.
- Visit the MSI website and locate a nearby distributor for further recycling information.
- Users may also reach us at gpcontdev@msi.com for information regarding proper disposal, take-back, recycling, and disassembly of MSI products.



Warning!

Overuse of screens is likely to affect eyesight.

Recommendations:

1. Take a 10-minute break for every 30 minutes of screen time.
2. Children under 2 years of age should have no screen time. For children aged 2 years and over, screen time should be limited to less than one hour per day.

Copyright and Trademarks Notice

Copyright © Micro-Star Int'l Co., Ltd. All rights reserved. The MSI logo used is a registered trademark of Micro-Star Int'l Co., Ltd. All other marks and names mentioned may be trademarks of their respective owners. No warranty as to accuracy or completeness is expressed or implied. MSI reserves the right to make changes to this document without prior notice.



The terms HDMI™, HDMI™ High-Definition Multimedia Interface, HDMI™ Trade dress and the HDMI™ Logos are trademarks or registered trademarks of HDMI™ Licensing Administrator, Inc.

Technical Support

If a problem arises with your product and no solution can be obtained from the user's manual, please contact your place of purchase or local distributor. Alternatively, please visit <https://www.msi.com/support/> for further guidance.