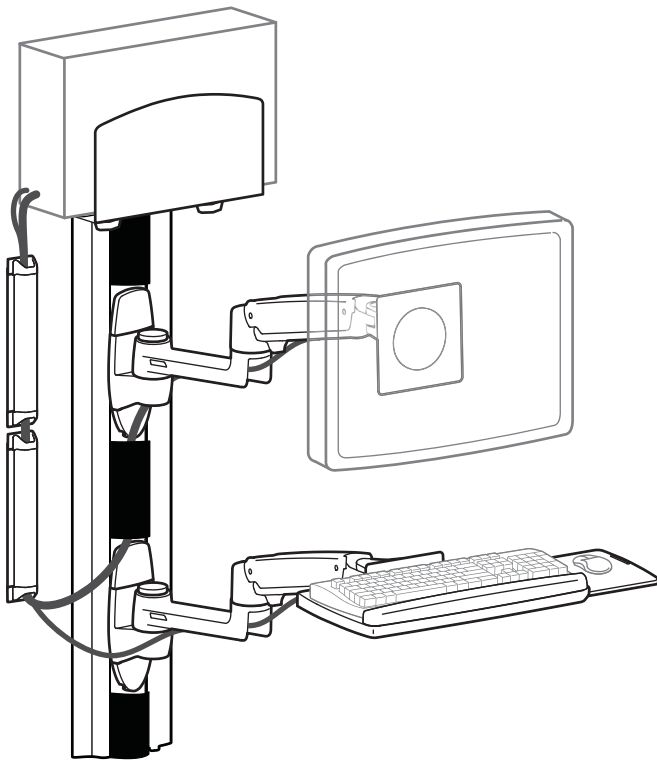
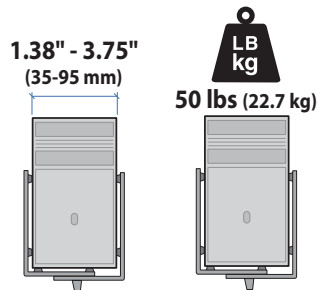


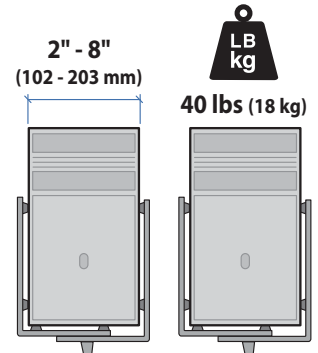
## LX Wall Mount System



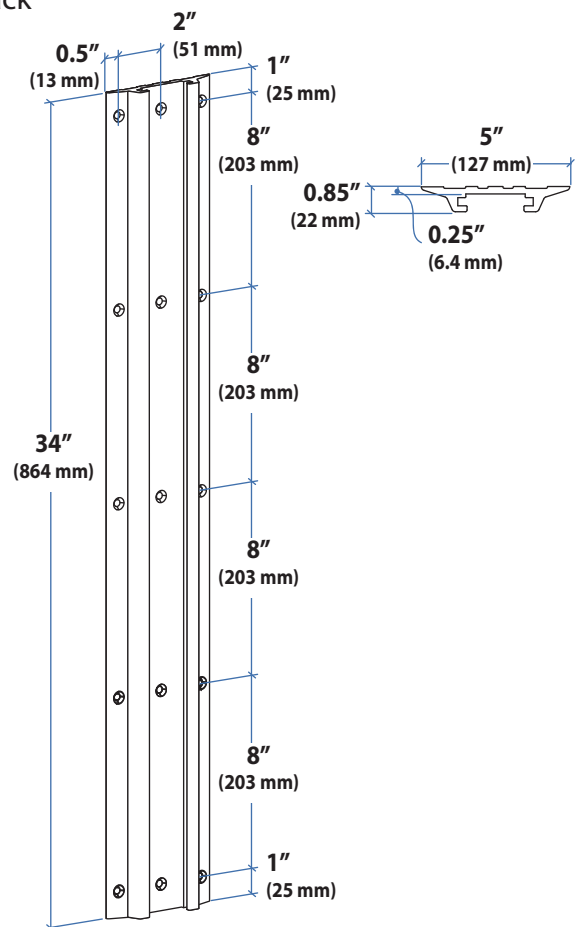
Small CPU Holder



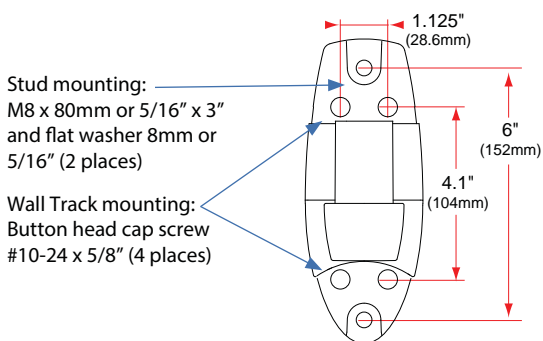
Medium CPU Holder



Wall Track



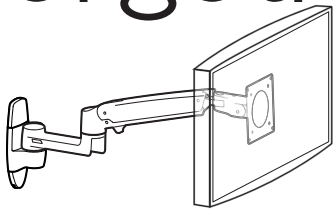
Wall Mount Bracket



Stud mounting:  
M8 x 80mm or 5/16" x 3"  
and flat washer 8mm or  
5/16" (2 places)

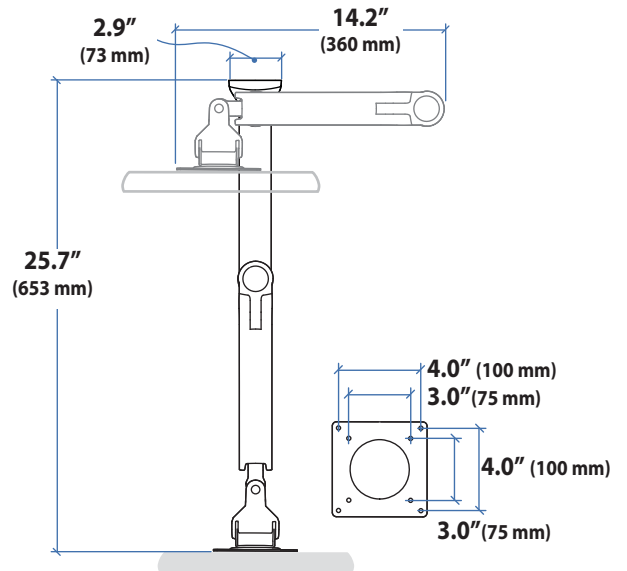
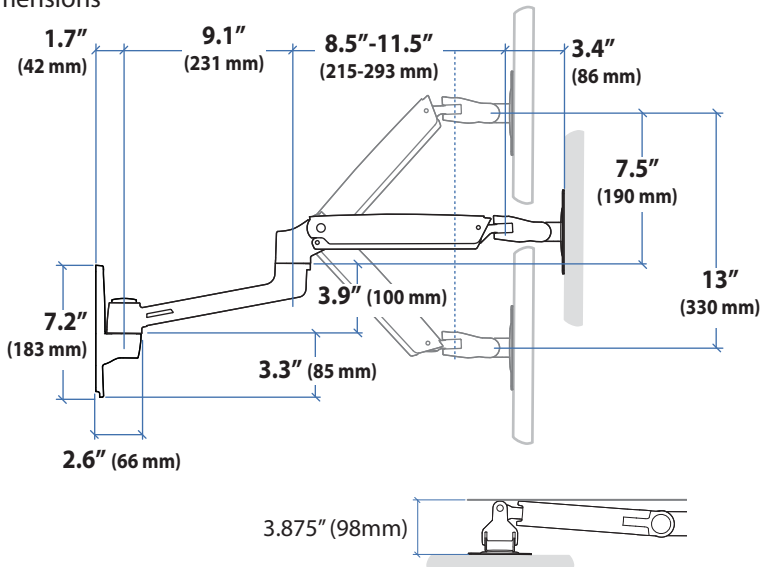
Wall Track mounting:  
Button head cap screw  
#10-24 x 5/8" (4 places)

## LX Wall Mount System

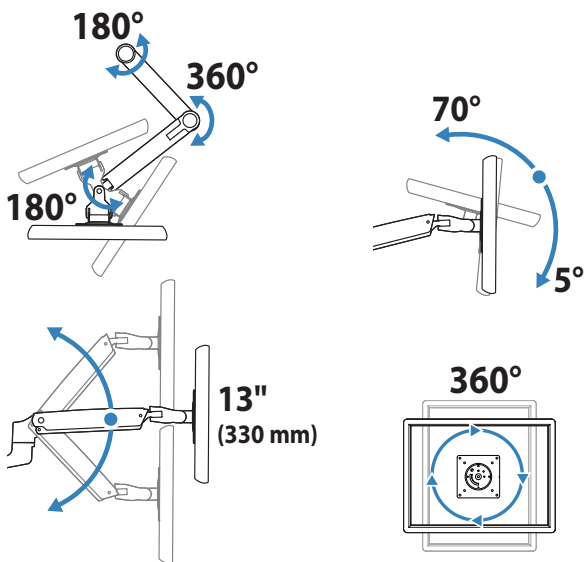


LCD Arm

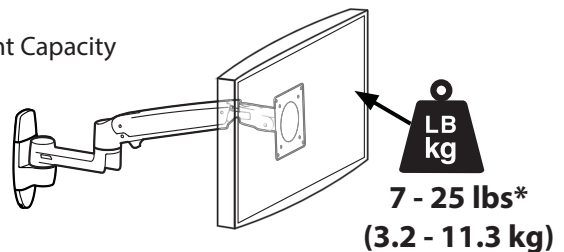
### Dimensions



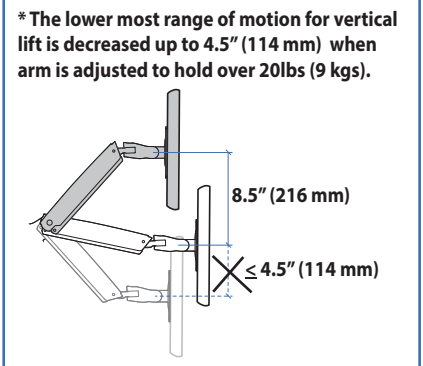
### Range of Motion



### Weight Capacity



Monitor depth greater than 2.5" (64 mm) may diminish capacity. Call Ergotron for more information.



© 2014 Ergotron, Inc. rev. 12/17/2018 DIM-LXWMSYSTEM Content is subject to change without notification

#### Americas Sales and Corporate Headquarters

St. Paul, MN USA  
(800) 888-8458  
+1-651-681-7600  
www.ergotron.com  
sales@ergotron.com

#### EMEA Sales

Amersfoort, The Netherlands  
+31 33 45 45 600  
www.ergotron.com  
info.eu@ergotron.com

#### APAC Sales

Tokyo, Japan  
www.ergotron.com  
japansupport@ergotron.com

#### Worldwide OEM Sales

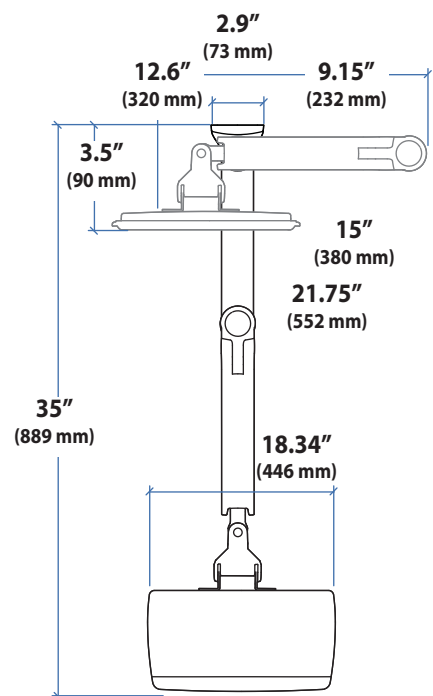
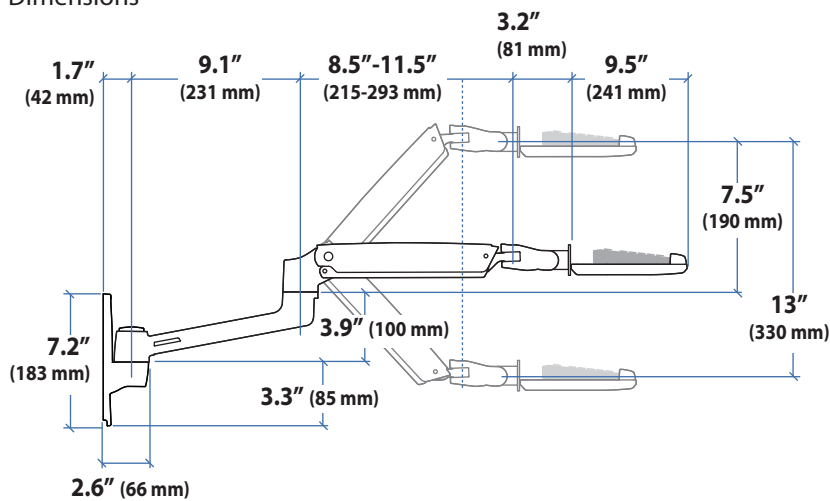
www.ergotron.com  
info.oem@ergotron.com



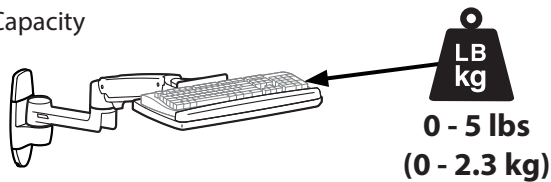
Keyboard Arm

## LX Wall Mount System

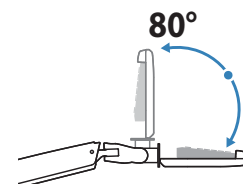
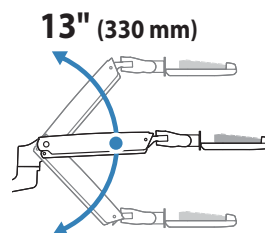
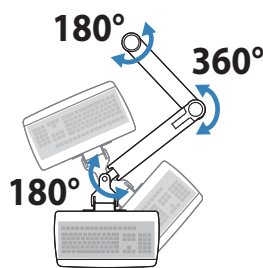
### Dimensions



### Weight Capacity



### Range of Motion



© 2014 Ergotron, Inc. rev. 12/17/2018 DIM-LXWMSYSTEM Content is subject to change without notification

#### Americas Sales and Corporate Headquarters

St. Paul, MN USA  
 (800) 888-8458  
 +1-651-681-7600  
[www.ergotron.com](http://www.ergotron.com)  
[sales@ergotron.com](mailto:sales@ergotron.com)

#### EMEA Sales

Amersfoort, The Netherlands  
 +31 33 45 45 600  
[www.ergotron.com](http://www.ergotron.com)  
[info.eu@ergotron.com](mailto:info.eu@ergotron.com)

#### APAC Sales

Tokyo, Japan  
[www.ergotron.com](http://www.ergotron.com)  
[japansupport@ergotron.com](mailto:japansupport@ergotron.com)

#### Worldwide OEM Sales

[www.ergotron.com](http://www.ergotron.com)  
[info.oem@ergotron.com](mailto:info.oem@ergotron.com)