



# Lexmark CX727de



CX727de

## Production-class speed with built-in business solutions

The Lexmark CX727de delivers print speeds up to 47 pages per minute and scan speeds up to 56 sides or images per minute. With built-in business solutions, maximum input capacity of up to 2300 sheets, a recommended monthly print volume up to 20.000 pages, stunning PANTONE®-calibrated colour and large touch screen, the CX727de provides production-level capabilities in a compact footprint.

## Quad-core processing power

Printing graphics-intensive colour files can be a challenge for any MFP. However, with its powerful print controller (1,2 GHz quad-core processor, up to 4 GB upgradable memory and optional hard disk), the CX727de can easily power through complex documents. Time to first colour page is as quick as 5,5 seconds.

Lexmark colour-matching tools and PANTONE calibration deliver rich, consistent colour printing so you can save time and money by producing your colour documents and prints in-house.



Colour



Solutions



Up to 47 ppm



17,8 cm colour touch screen



Security



Network



Mobility



RADF (reversing duplex)

## Security. Confidential Print.

Extensive network security features and protocols protect your device, information and network from unauthorised access.

Keep your sensitive documents safe by enabling the Confidential Print feature, which requires entering a customised, unique PIN on the device's keypad before the document can be printed.

## Compatible with leading mobile print platforms

Print from mobile devices using an optional Wi-Fi adapter or Lexmark's free Mobile Print app. The CX727de is AirPrint®-certified and includes support for iOS, Android and Microsoft® Windows Mobile printing. It is also Mopria®-certified and Google Cloud Print™ ready.



## 4-year Guarantee

Given the choice, wouldn't you prefer to buy a device that protects your investment with a guarantee? The Lexmark CX727de is so well made, we back it with a guarantee that covers repair actions including the cost of spare parts if they are needed in the first four years\*. The guarantee also offers you free 24-hour online support and access to technical support by phone during working hours.

\*Offer applies if the product is registered within 90 days from the date of purchase. Supplies and/or consumable parts, such as fuser or transfer unit, are excluded. Please refer to the detailed terms and conditions available at [www.lexmark.com/myguarantee](http://www.lexmark.com/myguarantee)

## Large colour touch screen can be customised for each user

The interface transforms the CX727de into your own personal gateway to use time-saving solutions, customised shortcuts and workflows.

Simply log in at the device and you immediately see your own personalised 17,8 cm screen with all of the one-touch shortcuts you've created to scan, print, copy or send faxes, emails and other documents using your preferred settings.

Monitor jobs and supplies on the touch screen or from a remote location via the CX727de's web interface.

## Software solutions increase productivity and save money

Lexmark's Embedded Solutions Framework (eSF) allows the CX727de to load and run software solutions tailored to your specific need or industry, to avoid having to develop and host your own applications.

The CX727de runs a wide range of optional applications created by Lexmark, its partners and customers to solve specific challenges. Simply select and load an app and run it directly on the device, eliminating the need to manage server-based applications.

## User-friendly

The CX727de is simple to install, easy to use and offers full compatibility with nearly every operating system and network, so you'll be up and running in minutes. It's built to last, so you'll easily be able to print up to 20.000 pages per month, thanks to our state-of-the-art paper handling technology and long-life consumables.

The Lexmark print system and Unison™ toner ensure consistent print quality throughout the life of the cartridge to prevent wasted prints.

Lexmark's Mobile Print app for iOS and Android devices provides a simple and consistent user experience for printing from mobile devices. It features simple printer discovery and mobile print options.

A front USB port lets you print PDF and other image files directly from a USB key and store scanned documents.

## Eco-friendly

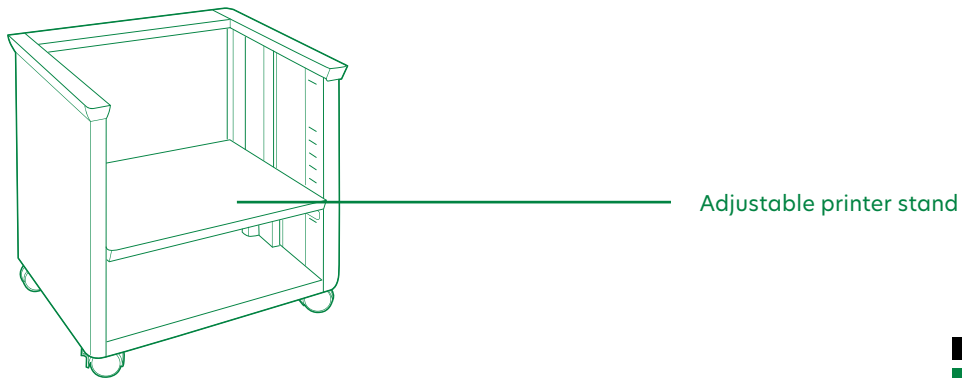
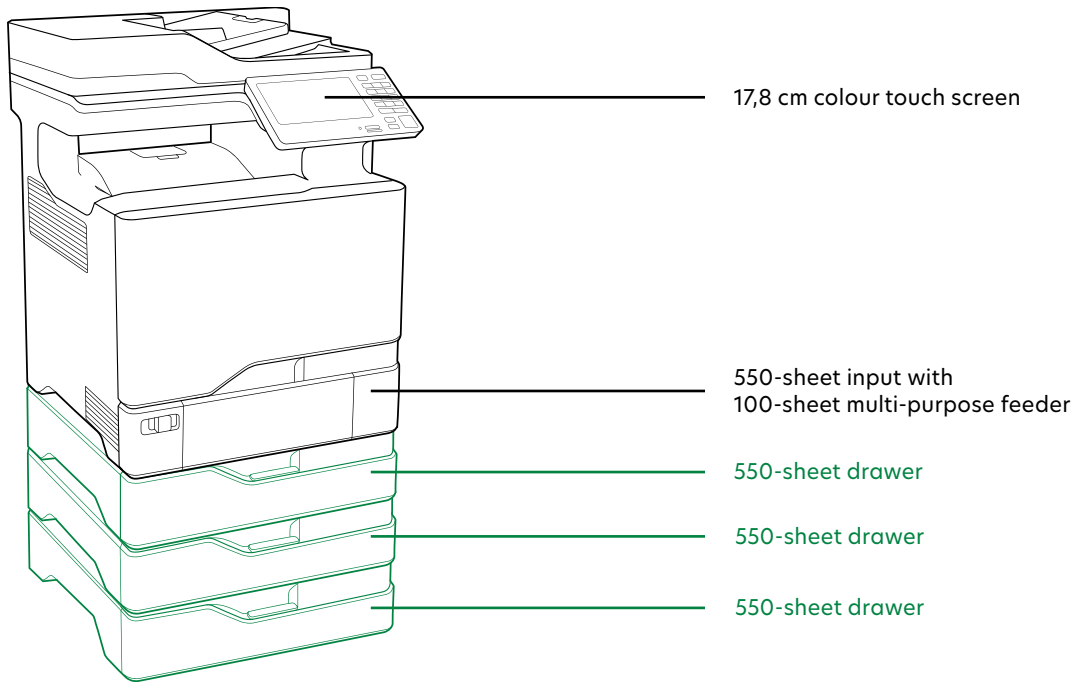
Built-in two-sided printing reduces paper use. The instant warm-up fuser saves energy and delivers the first printed page as fast as 5,5 seconds. Select an energy-saving mode (Quiet, Hibernate or Eco) to automatically minimise noise and energy consumption.

Through LCCP, the Lexmark Cartridge Collection Programme, Lexmark offers a free and easy way for you to return your empty cartridges for sustainable recycling or remanufacturing. Learn more at [www.lexmark.com/recycling](http://www.lexmark.com/recycling)

Product specifications	Lexmark CX727de
<b>Print</b>	
Display	Lexmark e-Task 17,8 cm colour touch screen with audible feedback
Print speed: up to <sup>6</sup>	black: 47 ppm / colour: 47 ppm
Time to first page: as fast as	black: 5,0 seconds / colour: 5,5 seconds
Print resolution	black: 1200 x 1200 dpi, 4800 Color Quality (2400 x 600 dpi) / colour: 1200 x 1200 dpi, 4800 Color Quality (2400 x 600 dpi)
Memory	standard: 2048 MB / maximum: 4096 MB
Hard Disk	Option available
Recommended monthly page volume <sup>3</sup>	2000 - 20.000 pages
Maximum monthly duty cycle: up to <sup>2</sup>	150.000 pages per month
<b>Copy</b>	
Copy speed: up to <sup>6</sup>	black: 47 cpm / colour: 47 cpm
Time to first copy: as fast as	black: 6,5 seconds / colour: 7,0 seconds
<b>Scan</b>	
Scanner type / ADF scan	Flatbed scanner with ADF / RADF (reversing duplex)
Duplex scan speed: up to	black: 26 spm / colour: 26 spm
Simplex scan speed: up to	black: 56 spm / colour: 56 spm
<b>Fax</b>	
Modem speed	ITU T.30, V.34 Half-Duplex, 33,6 kbps
<b>Supplies<sup>8</sup></b>	
Cartridge yields: up to <sup>1</sup>	13.000-page black cartridge, 10.000-page colour (CMY) cartridges
Imaging unit yield: up to <sup>7</sup>	150.000 pages, based on average 3 pages per print job and 5% coverage
Cartridge(s) shipped with product <sup>1</sup>	3000-page colour (CMY) starter Return Program toner cartridges, 7000-page black starter Return Program toner cartridge
<b>Paper Handling</b>	
Standard paper handling	550-Sheet Input, 100-Sheet Multipurpose Feeder, Integrated Duplex, 300-sheet output bin
Optional paper handling	550-Sheet Tray
Paper input capacity: up to	standard: 650 pages / maximum: 2300 pages
Paper output capacity: up to	standard: 300 pages / maximum: 300 pages
Media types supported	Card Stock, Envelopes, Paper labels, Plain Paper, Vinyl Labels, Refer to the Card Stock & Label Guide., Banner Paper
Media sizes supported	10 Envelope, 7 3/4 Envelope, 9 Envelope, A4, A5, B5 Envelope, C5 Envelope, DL Envelope, Executive, Folio, JIS-B5, Legal, Letter, Statement, Universal, Oficio, A6
<b>General<sup>4</sup></b>	
Standard connectivity	One Internal Card Slot, USB 2.0 Specification Hi-Speed Certified (Type B), Gigabit Ethernet (10/100/1000), Front USB 2.0 Specification Hi-Speed Certified port (Type A), Rear Hi-Speed USB port (compatible with USB 2.0 specification, type A)
Optional network ports	Internal MarkNet N8360 802.11b/g/n Wireless, NFC
Noise Level: Operating	Print: 53 dBA / Copy: 56 dBA / Scan: 53 dBA
Specified operating environment	Humidity: 8 to 80% relative humidity, Temperature: 10 to 32°C (50 to 90°F), Altitude: 0 - 2896 Meters (9,500 Feet)
Product guarantee <sup>5</sup>	4 year on-site repair guarantee (after registration)
Size / Weight	HxWxD: 648 x 505 x 533 mm / 44,9 kg
Part Number	40CC554

<sup>1</sup>Average continuous black or continuous composite CMY declared cartridge yield up to this number of standard pages in accordance with ISO/IEC 19798. <sup>2</sup>"Maximum Monthly Duty Cycle" is defined as the maximum number of pages a device could deliver in a month using a multishift operation. This metric provides a comparison of robustness in relation to other Lexmark printers and MFPs. <sup>3</sup>"Recommended Monthly Page Volume" is a range of pages that helps customers evaluate Lexmark's product offerings based on the average number of pages customers plan to print on the device each month. Lexmark recommends that the number of pages per month be within the stated range for optimum device performance, based on factors including: supplies replacement intervals, paper loading intervals, speed, and typical customer usage. <sup>4</sup>Printers are sold subject to certain license/agreement conditions. See [www.lexmark.com/printerlicense](http://www.lexmark.com/printerlicense) for details. <sup>5</sup>Offer applies if the product is registered within 90 days from the date of purchase. Supplies and/or consumable parts, such as fuser or transfer unit, are excluded. Please refer to the detailed terms and conditions available at [lexmark.com/myguarantee](http://lexmark.com/myguarantee). <sup>6</sup>Print and copy speeds measured in accordance with ISO/IEC 24734 and ISO/IEC 24735 respectively (ESAT). For more information see: [www.lexmark.com/ISOspeeds](http://www.lexmark.com/ISOspeeds). <sup>7</sup>Actual Yield may vary based on other factors such as device speed, paper size and feed orientation, toner coverage, tray source, percentage of black-only printing and average print job complexity. <sup>8</sup>Product functions only with replacement cartridges designed for use in a specific geographical region. See [www.lexmark.com/regions](http://www.lexmark.com/regions) for more details.

## Lexmark CX727de features



■ Standard  
■ Optional