



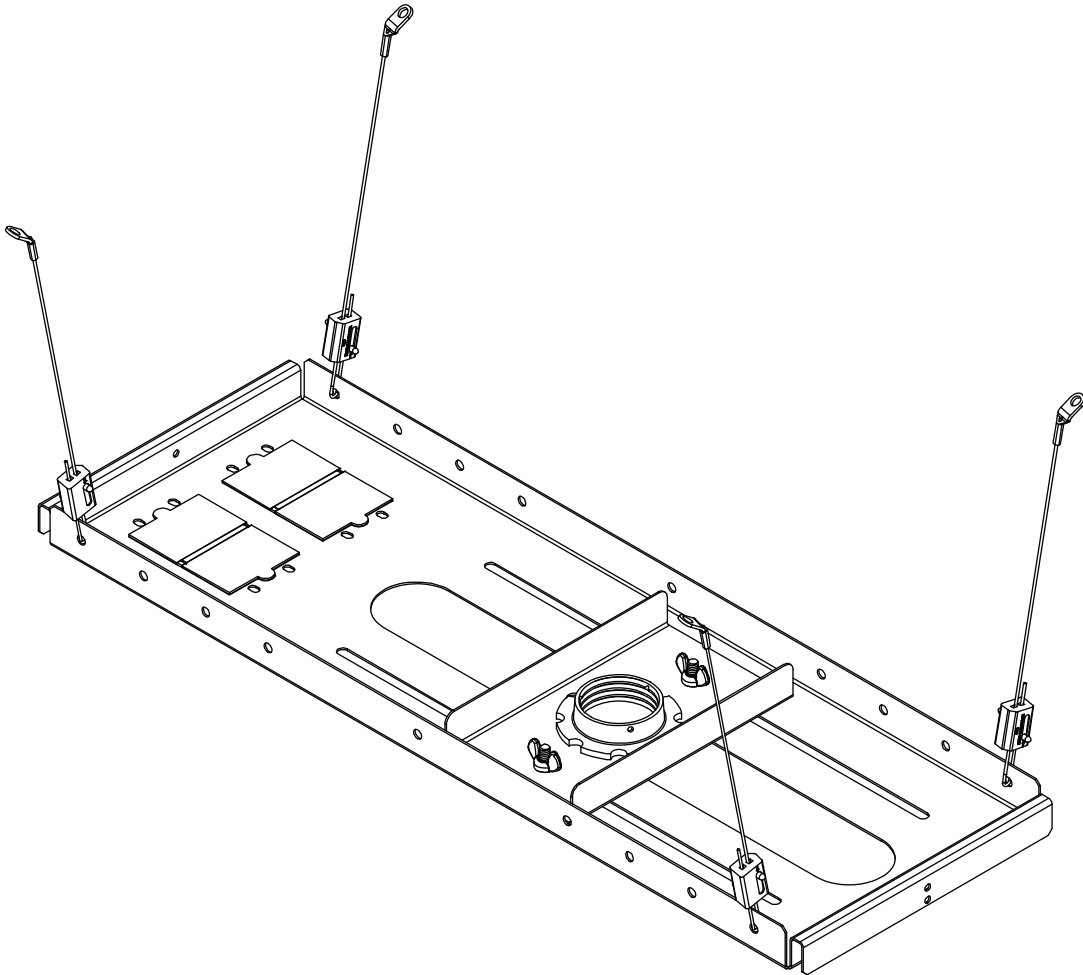
NEC DISPLAY SOLUTIONS OF AMERICA, INC.

Installation and Assembly: Lightweight Adjustable Suspended Ceiling Plate for Projector Mounts

Model: SCP200



Maximum Load UL Capacity: 60 lb (27.2 kg)



NOTE: Read entire instruction sheet before you start installation and assembly.

⚠ WARNING

- Do not begin to install your product until you have read and understood the instructions and warnings contained in this Installation Sheet. If you have any questions regarding any of the instructions or warnings, call Peerless customer care at 1-800-729-0307.
- This product should only be installed by someone of good mechanical aptitude, has experience with basic building construction, and fully understands these instructions.
- Make sure that the supporting surface will safely support the combined load of the equipment and all attached hardware and components.
- Never exceed the Maximum UL Load Capacity.
- Always use an assistant or mechanical lifting equipment to safely lift and position equipment.
- Tighten screws firmly, but do not overtighten. Overtightening can damage the items, greatly reducing their holding power. See suggested torque values where applicable within these instructions.
- This product is intended for indoor use only. Use of this product outdoors could lead to product failure and personal injury.
- When installing or adjusting the ceiling mount, do not use adhesives, lubricants or oils to prevent the screws from loosening. If you use adhesives, lubricants, or oils to prevent the screws from loosening, the casing may crack and the projector may fall, causing serious injury and damage to the projector.

Tools Needed for Assembly

- stud finder ("edge to edge" stud finder is recommended)
- phillips screwdriver
- hammer
- wire cutters
- drill
- 5/16" bit for concrete surface
- 5/32" bit for wood studs

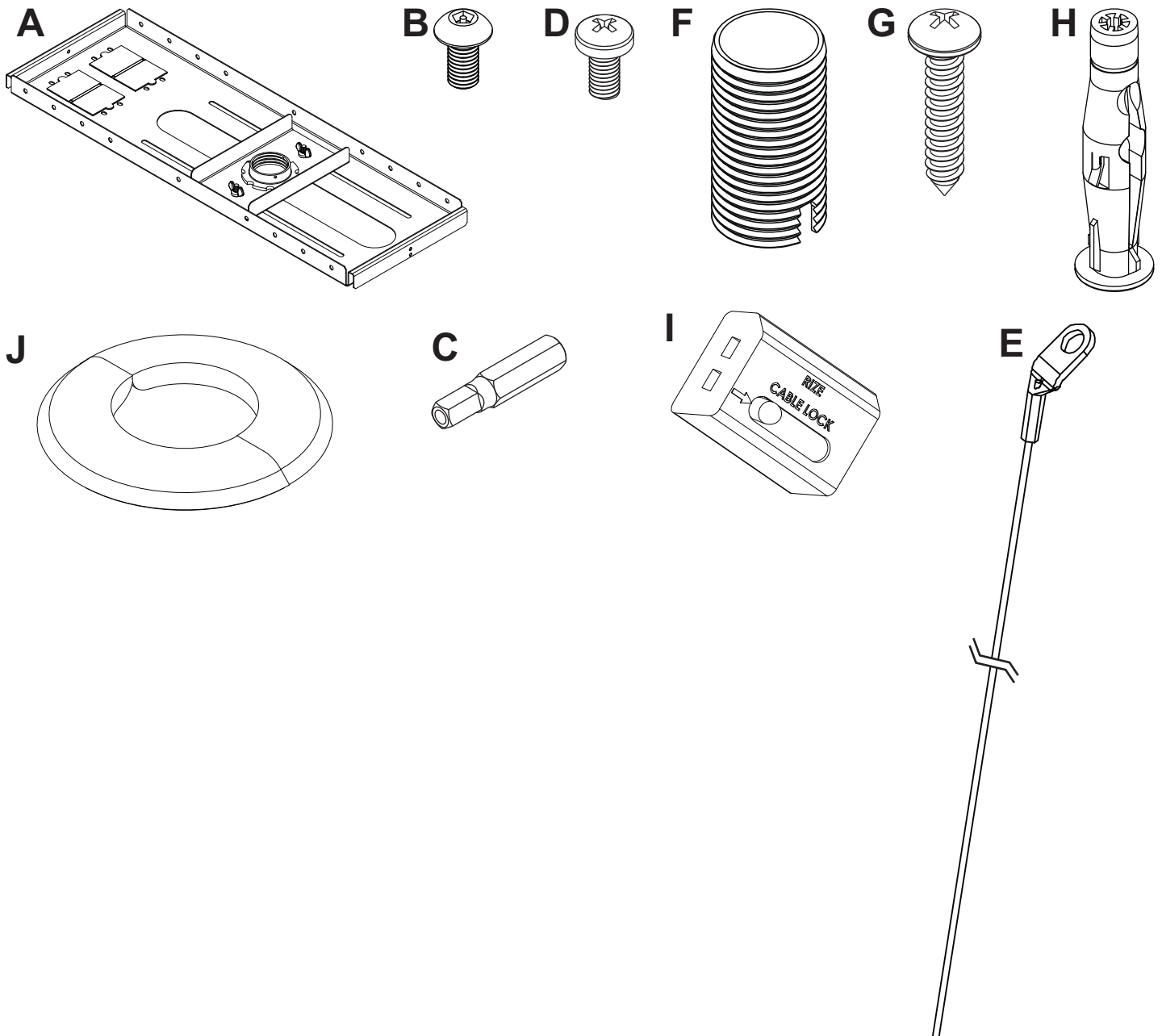
Table of Contents

Parts List.....	3
Installation to Suspended Ceiling	4
Anchoring Ceiling Plate	5
Warranty Information	6

Before you start check the parts list to insure all of the parts shown are included.
NOTE: You may not need all hardware provided.

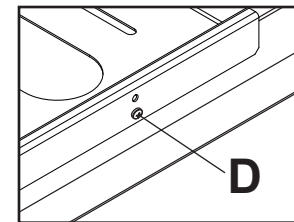
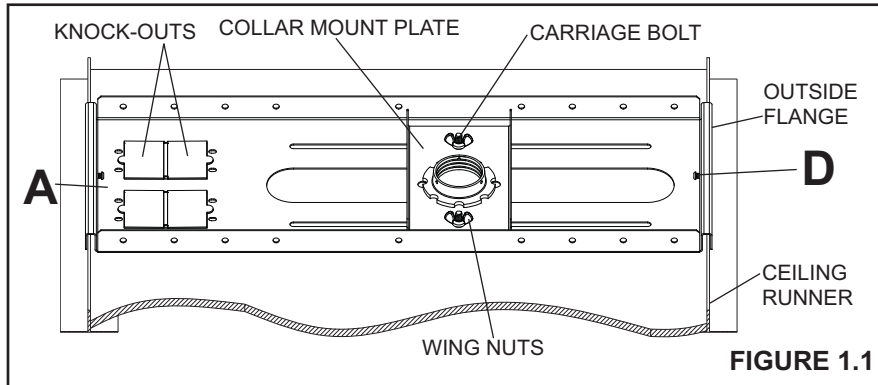
Parts List		
Description	Qty.	Part #
A ceiling plate	1	055-2983
B M5 x 10 mm penta pin screw	1	505-9010
C M5 penta pin driver	1	520-9249
D M5 x 10 mm self tapping screw	2	520-9250
E steel cable	4	560-0757
F flush mount tube	1	1446-014
G wood screw	4	510-9157
H concrete anchor	4	590-0320
I cable lock	4	560-0756
J escutcheon plate	1	1418-001A

NOTE: Some parts may appear slightly different than illustrated.



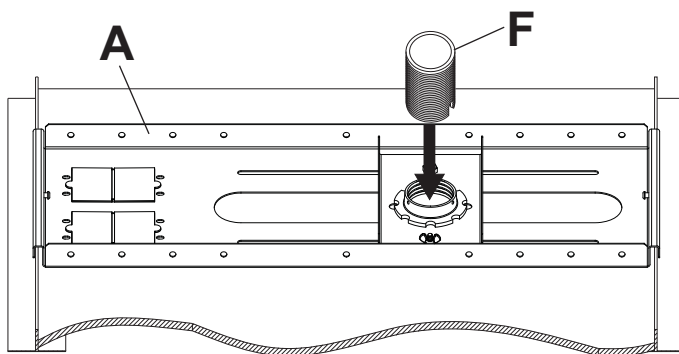
IMPORTANT: Ceiling Tray (A) is designed to fit above a 24" (610 mm) x 24" (610 mm) section of a conventional suspended ceiling system. It may also be mounted above 24" x 48" conventional suspended ceiling. Ceiling runners (see figure 1.1) should have a "T" cross section and a minimum height of 1.5" (38 mm).

- Place ceiling tray (A) in grid above 24" x 24" or 24" x 48" false ceiling tile so that lip of ceiling tray (A) rests on ceiling runners as shown in figure 1.1. Place in desired position and install 1/4-20 self tapping screws (D) into sides of ceiling tray (A). **NOTE:** If collar mount plate is positioned to the right, screw (D) can be installed into holes of outside flange on ceiling tray (A). If ceiling runner height is low install screw (D) into lower hole as shown in figure 1.2. Slide collar mount plate to desired position. Using hole in collar mount plate, mark false ceiling tile where hole will be cut. Slide collar mount plate out of the way. Cut out 2.25" hole in false ceiling tile. Slide collar mount plate back into position and tighten all carriage bolts and wing nuts. Remove knock-outs before installing electrical box.



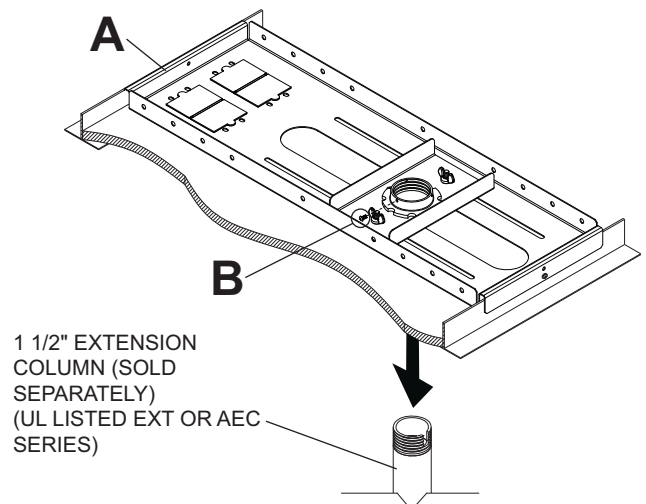
For Flush Mounting Applications

- From the top down, thread flush mount tube (F) down through retaining collar in adjustable collar mount plate. Snap escutcheon plate (J) around flush mount tube or extension column and slide up until flush with ceiling tile. Skip to step 3.



For Extension Column Applications

- From the bottom up, thread extension column (not included) up through retaining collar in adjustable collar mount plate. Align notch in extension column with hole in collar and fasten with M5 x 10 mm penta pin screw (B) using penta pin driver (C). Snap escutcheon plate (J) around flush mount tube or extension column and slide up until flush with ceiling tile.

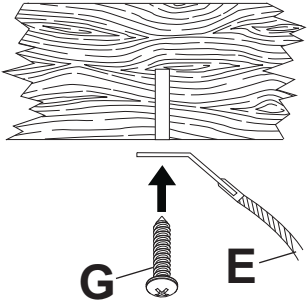


- 4** Drill holes for four ceiling anchors (**detail 2**). Position the holes so that when the steel cables (**E**) are attached and taut they will angle out at 15°.

DETAIL 2

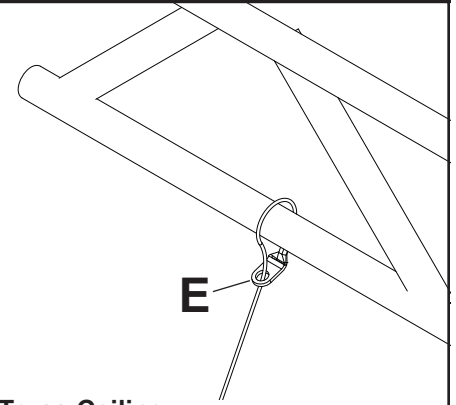
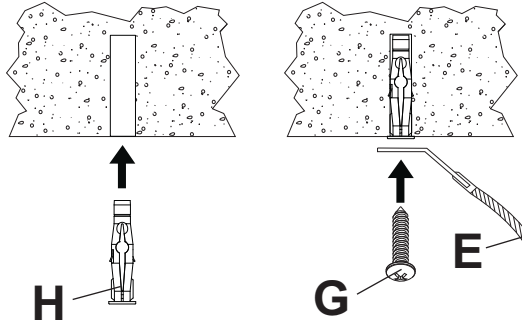
Wood Joists or Beams

Drill 5/32" (4 mm) dia. holes to a minimum depth of 1.5" (38 mm). Secure steel cables (**E**) using wood screw (**G**)



Solid Concrete

Drill 5/16" (8 mm) dia. holes to a minimum depth of 2.25" (57 mm). Hammer in concrete anchors (**H**) and secure steel cables (**E**) with wood screw (**G**)



Truss Ceiling

No anchor required. Loop upper end of steel cable (**E**) around ceiling truss and down into hole of cable loop. Pull steel wire tight.

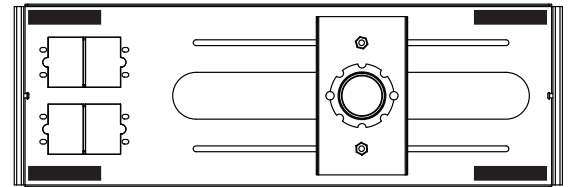
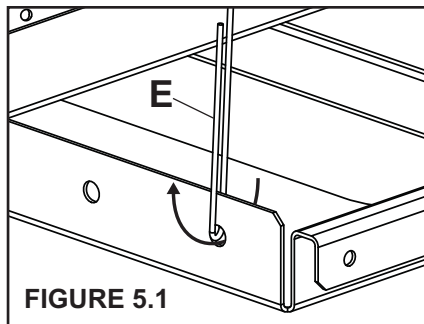
⚠ WARNING

- It is the responsibility of the installer to verify that the ceiling to which the suspended ceiling kit is anchored will safely support the combined load of all attached components (Projector Mount, Extension Column, etc.) and equipment.

- 5** Insert loose end of steel wire (**E**) through one end of cable lock (**I**) as shown below. **NOTE:** Steel wires can only insert one way through cable lock as shown in **figure 5.2**.

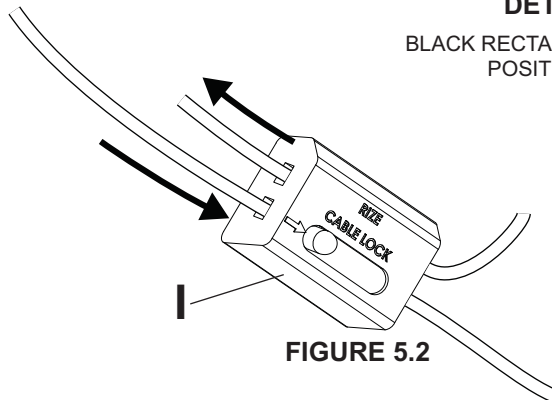
Route steel wires through hole of ceiling tray as shown in **figure 5.1**. Loop steel cables through ceiling tray (**A**) where indicated by black rectangles in **detail 3**. Finish by routing loose end of steel cable through other end of cable lock. Feed cable through cable lock until all cables are taut.

When this step is complete, the weight of the ceiling tray should be supported by the steel cables.



DETAIL 3 - TOP VIEW

BLACK RECTANGLES REPRESENT CORRECT POSITIONS FOR STEEL WIRE



LIMITED FIVE-YEAR WARRANTY

Peerless Industries, Inc. establishes a warranty period of five years for products manufactured or supplied by Peerless. This period commences from the date of sale of the product to the original consumer, but will in no case last for more than six years after the date of the product's manufacture. During the warranty period such products will be free from defects in material and workmanship, provided they are installed and used in compliance with the instructions established by Peerless Industries, Inc. Subject to applicable legal requirements, during the warranty period Peerless will repair or replace, or refund the purchase price of, any such product which fails to conform with this warranty.

Any other warranties prescribed by the law which may apply with respect to such products also are limited in duration to the warranty period specified in this Limited Five-Year Warranty.

This warranty does not cover damage caused by (a) service or repairs by the customer or a person who is not authorized for such service or repairs by Peerless Industries, Inc., (b) the failure to utilize proper packing when returning the product, (c) incorrect installation or the failure to follow Peerless' instructions or warnings when installing, using or storing the product, or (d) misuse or accident, in transit or otherwise, including in cases of third party actions and force majeure.

In no event shall Peerless be liable for incidental or consequential damages or damages arising from the theft of any product, whether or not secured by a security device which may be included with the product.

This Limited Five-Year Warranty is in lieu of all other warranties, expressed or implied, and is the sole remedy with respect to product defects. No retailer, dealer, distributor, installer or other person is authorized to modify or extend this warranty or impose any obligation on Peerless in connection with the sale of any product manufactured or supplied by Peerless.

This warranty gives specific legal rights, and you may also have other rights provided by the national legislation of the country in which you purchased such product.

peerless[®]

www.peerlessmounts.com

© 2008 Peerless Industries, Inc.