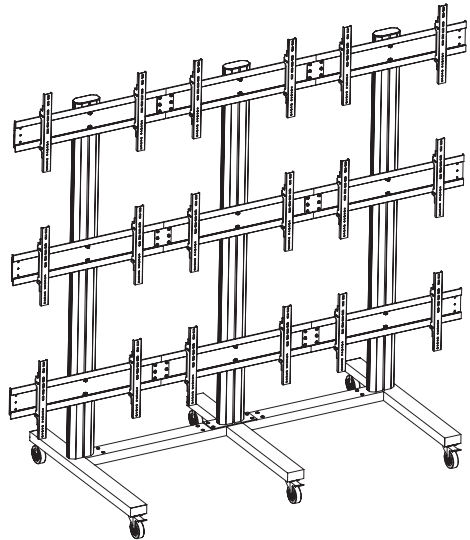


Installation manual

M Public Video Wall Stand 9-Screens 40-55"

EAN: 7350022739734

- ar تېنېتتال لىلدا
- cz Instalační manuál
- de Installationsmanual
- de Installationsanleitung
- eo Paigaldusjuhend
- el Οδηγίες εγκατάστασης
- es Manual de instalación
- fi Asennusohje
- fr Installation Manuel
- he הנקתה יירדמ
- hu Szerelési kézikönyv
- it Manuale di installazione
- jp 取り付け説明書
- kr 설치 설명서
- li Montavimo instrukcija
- lv Uzstādīšanas rokasgrāmata
- nl Installatie handleiding
- no Installasjonshåndbok
- pl Instrukcja instalacji
- pt Manual de instalação
- ro Manual de instalare
- ru Инструкция по установке
- sk Inštalacný manuál
- sl Navodila za montažo
- sv Installationsmanual
- tr Montaj kılavuzu
- zh 安装手册



**Warning!**

Always check the depth of the holes before starting an installation.

التحذير

الرجاء دائما التحقق من عمق الثقوب قبل أن تبدأ في عملية التركيب.

ADVARSEL!

Kontroller alltid hullernes dybde, før du går i gang med en installation.

WARNING!

Vor Beginn des Einbaus immer die Tiefe der Bohrungen überprüfen.

ΠΡΟΕΙΔΟΠΟΙΗΣΗ!

Ελέγξτε πάντοτε το βάθος των οπών προτού ξεκινήσετε την εγκατάσταση.

WARNING!

Always check the depth of the holes before starting an installation.

¡AVISO!

Compruebe siempre la profundidad de los agujeros antes de iniciar una instalación.

VAROITUS!

Selvitä reikien syvyyt ennen asentamisen aloittamista.

ATTENTION !

Vérifiez toujours la profondeur des trous avant de commencer l'installation.

ATTENZIONE!

Verificare sempre la profondità dei fori prima dell'installazione.

Varovani!

Před začátkem instalace vždy zkontrolujte potřebnou hloubku všech otvorů.

ADVARSEL!

Sjekk alltid hvor dype hullene er før du begynner å montere.

OSTRZEŻENIE!

Przed przystąpieniem do montażu należy koniecznie sprawdzić głębokość otworów.

ПРЕДУПРЕЖДЕНИЕ!

Перед установкой всегда проверяйте глубину отверстий.

WARNING!

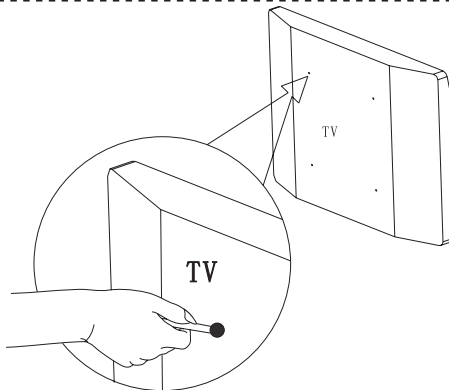
Kontrollera alltid hållens djup innan en installation påbörjas.

UYARI!

Montaja başlamadan önce daima deliklerin derinliğini kontrol edin.

警告!

请始终在安装前检查孔洞的深度。

**WARRANTY CARD**

MULTIBRACKETS.COM

MULTIBRACKETS™ Limited Warranty

Multibrackets warrants its products to be free of defects in material and workmanship for the product's Warranty Period. The Warranty Period commences on the original purchase date of the product.

All Multibrackets products are covered by a limited product warranty.

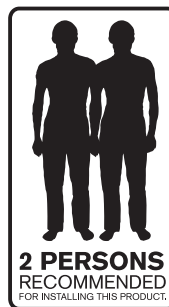
- **FIVE (5) years** for metal video monitor mounts; all racks and non-electrical rack accessories
- **TWO (2) years** for gaslifts and sit-stand workstations
- **ONE (1) year** for all motorized and/or automated products, plastic speaker mounts; all speaker stands; all furniture; all wood (MDF) accessories

For warranty claims made during the Warranty Period, MULTIBRACKETS will replace any defective product part free of charge. Should a part on your Multibrackets product fail, please create an RMA case on www.multibrackets.com/support to make a warranty claim. We will await your documentation and then discuss the problem with you and once we confirm the product is under warranty, we will ship replacement parts to you. This Limited Warranty does not cover the costs of removing and replacing defective parts from your Multibrackets product. So, if your problem requires a repair technician, you must pay any labor charges.

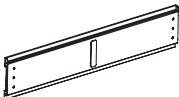

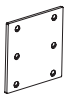

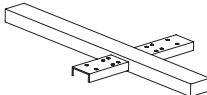
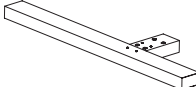
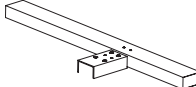
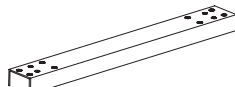
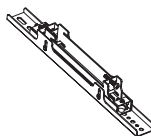




This Limited Warranty extends only to the original purchaser of the product and is automatically void if your Multibrackets product is modified in any way, improperly installed, taxed beyond its stated weight capacity or otherwise misused or abused. All Multibrackets products are intended for indoor use only and any























outdoor use voids this Limited Warranty. The Limited Warranty for wall and ceiling mounts is void if the mount is moved from its initial installation. To the maximum extent permitted by applicable law, Multibrackets disclaims any other warranties, express or implied, including warranties of fitness for a particular purpose and warranties of merchantability. Multibrackets will not be liable for any damages whatsoever arising out of the use or inability to use its products, even if Multibrackets has been advised of the possibility of such damages. To the maximum extent permitted by applicable law, Multibrackets disclaims any responsibility for incidental or consequential damages.

Multibrackets™ Stockholm Sweden 2016.
www.multibrackets.com

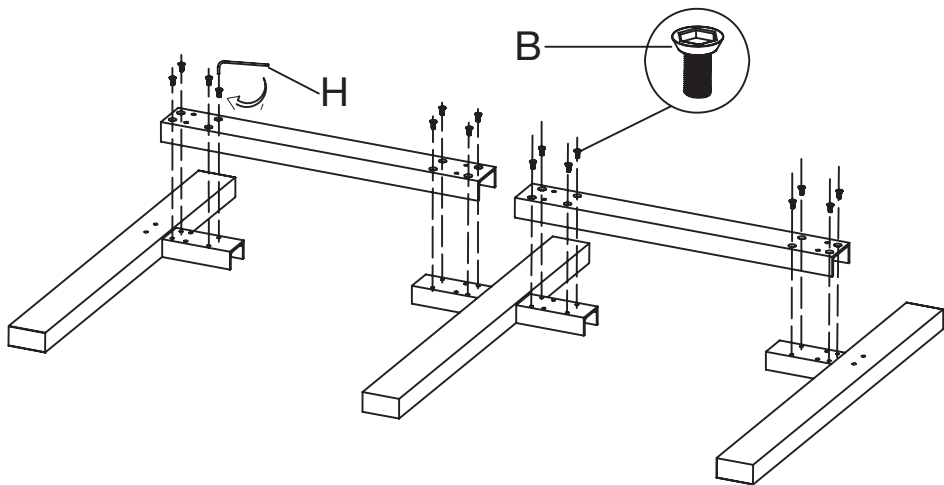


2 PERSONS
RECOMMENDED
FOR INSTALLING THIS PRODUCT.

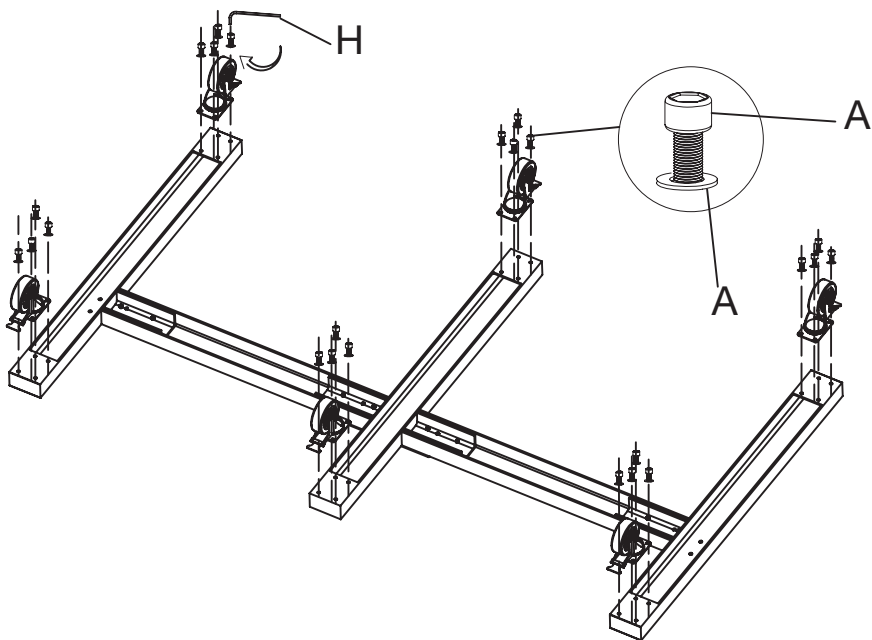
			
9PCS	6PCS	6PCS	3PCS
			
1PCS	1PCS	1PCS	2PCS
			
18PCS	1PCS	6PCS	3PCS
			
15PCS			

A		B		C		D		E		F			
													
M8x15	M8	M8x25	M8	M8x35	M8	M8x20	M8	M8	M8x25	M6x25	M5x15	M4x15	
24PCS	24PCS	20PCS	20PCS	8PCS	8PCS	36PCS	36PCS	36PCS	36PCS	36PCS	36PCS	36PCS	
G				H				I					
													
M8	M6	M5	M4	6mm	5mm	4mm	3mm	M8x35					
36PCS	36PCS	36PCS	36PCS	2PCS	2PCS	2PCS	2PCS	4PCS					

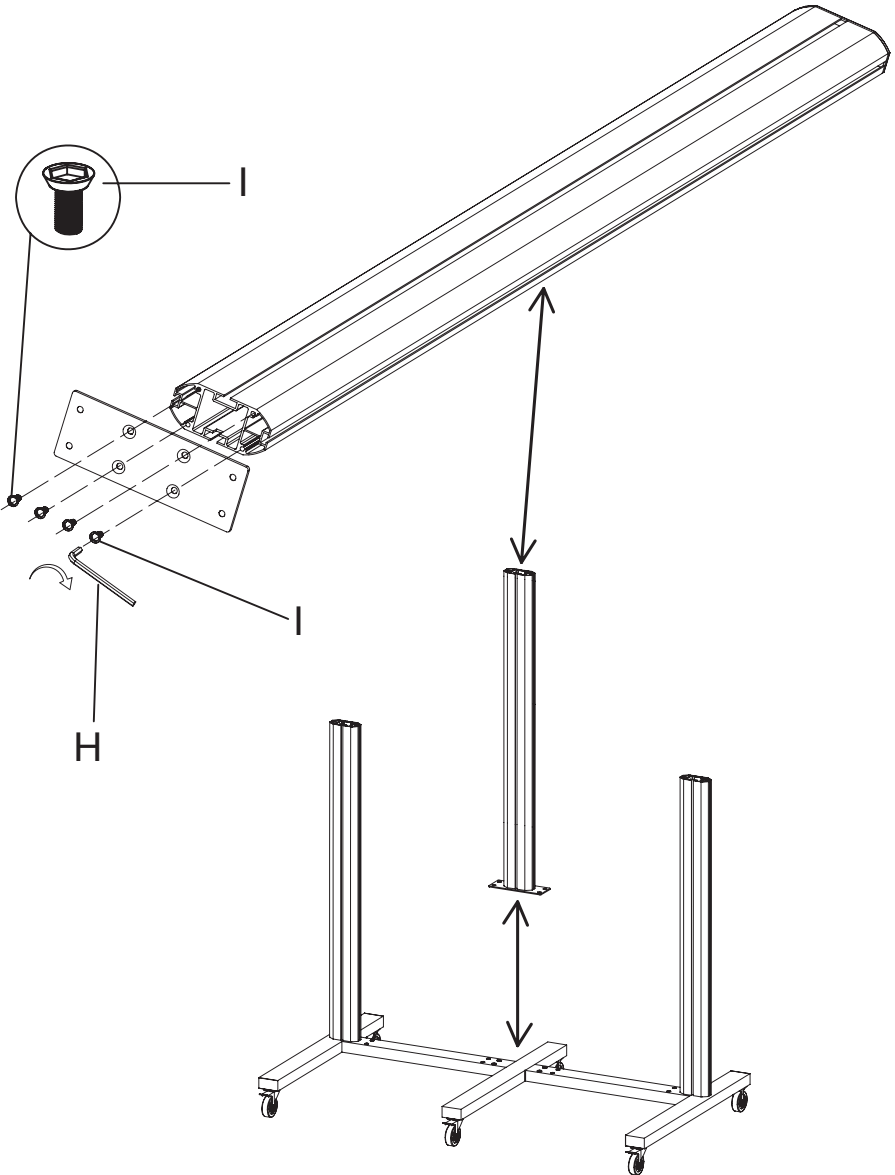
1



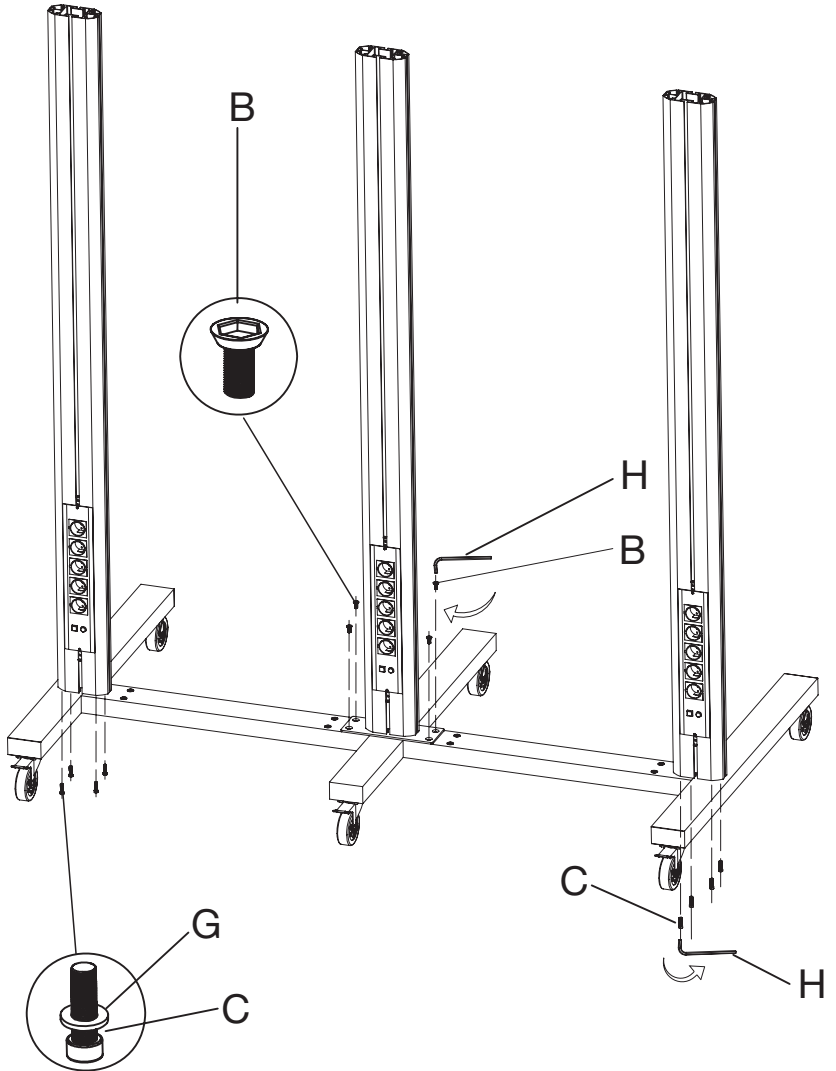
2



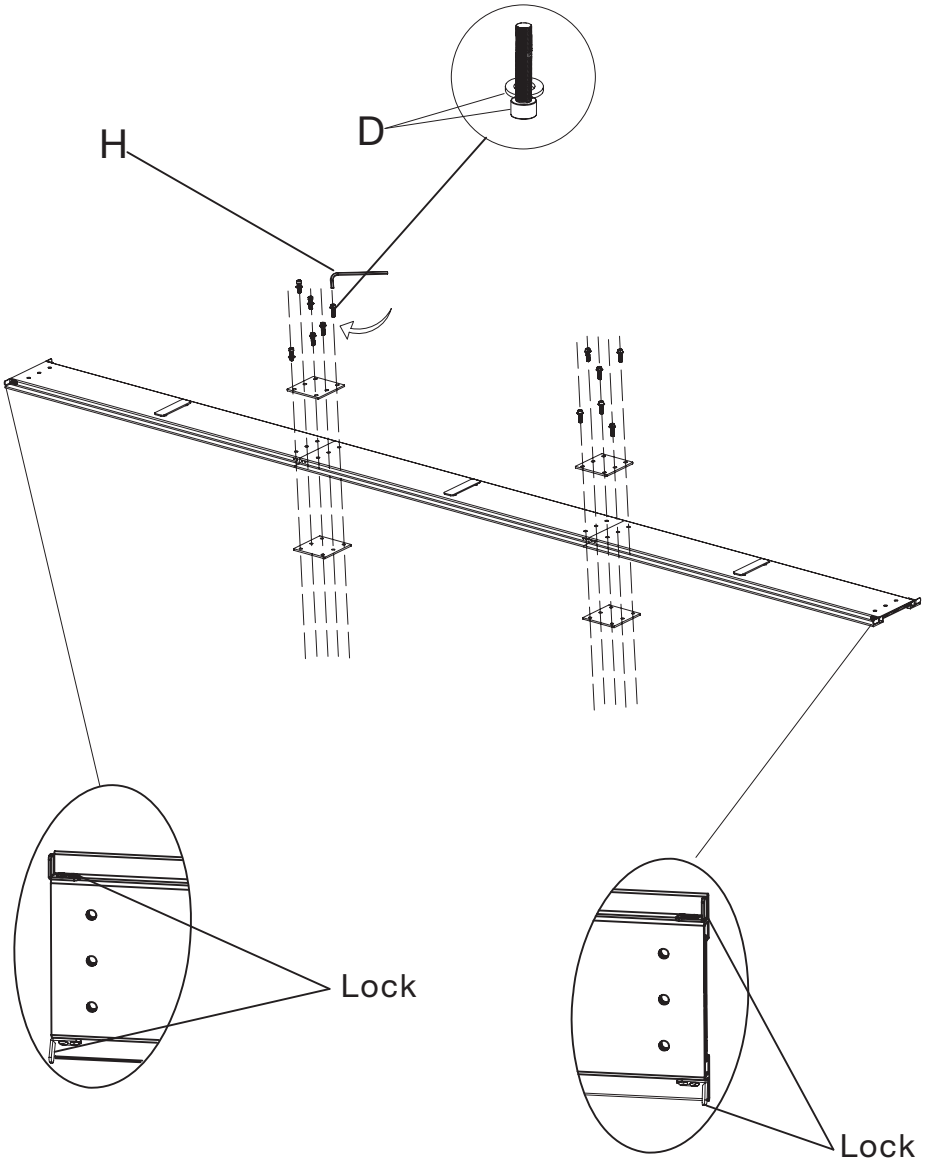
3



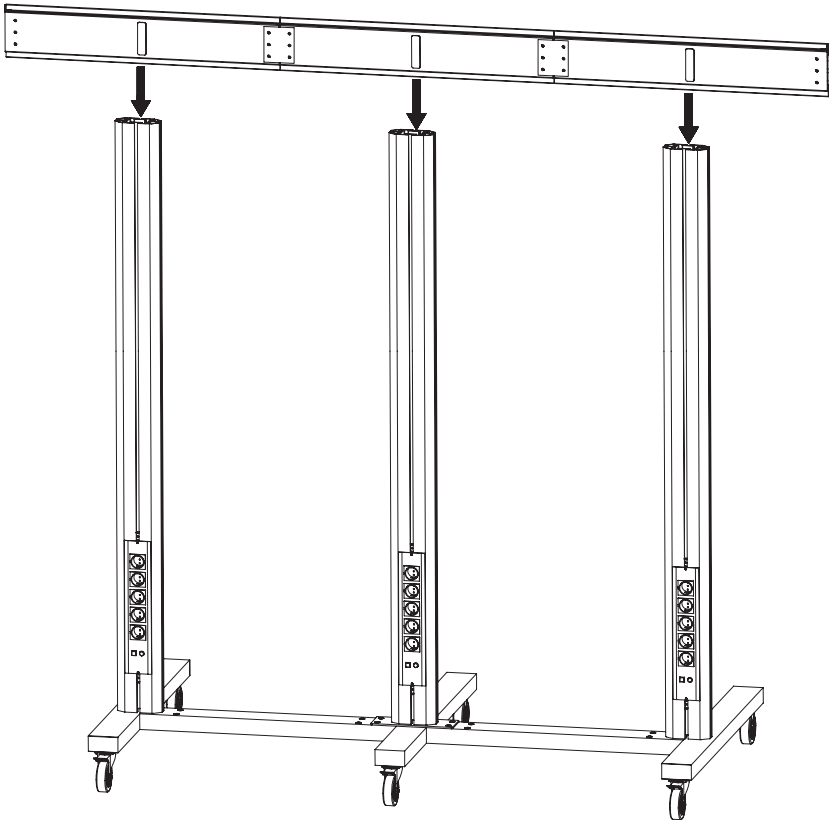
4



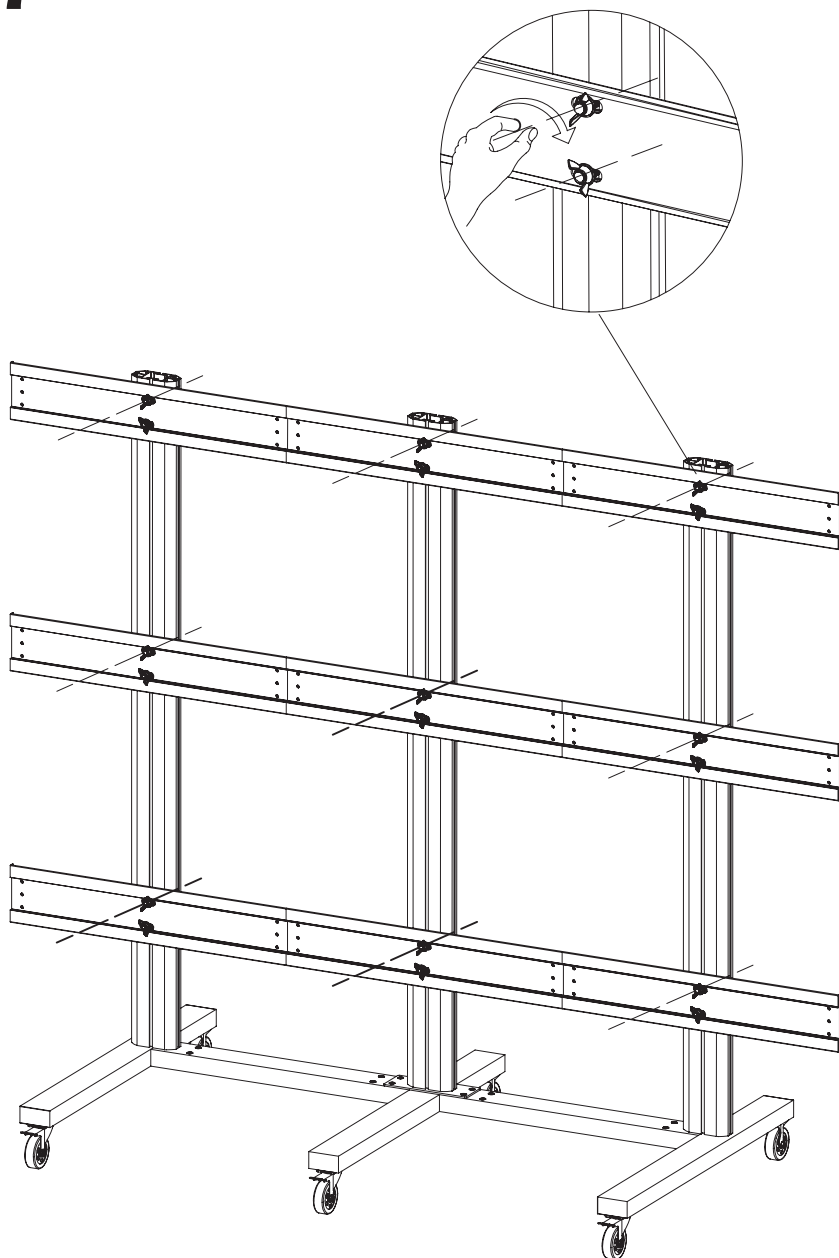
5



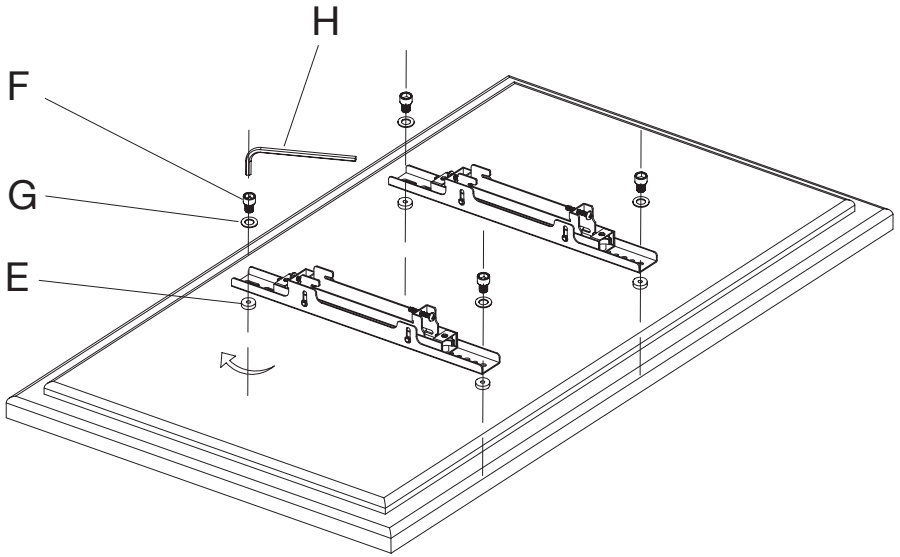
6



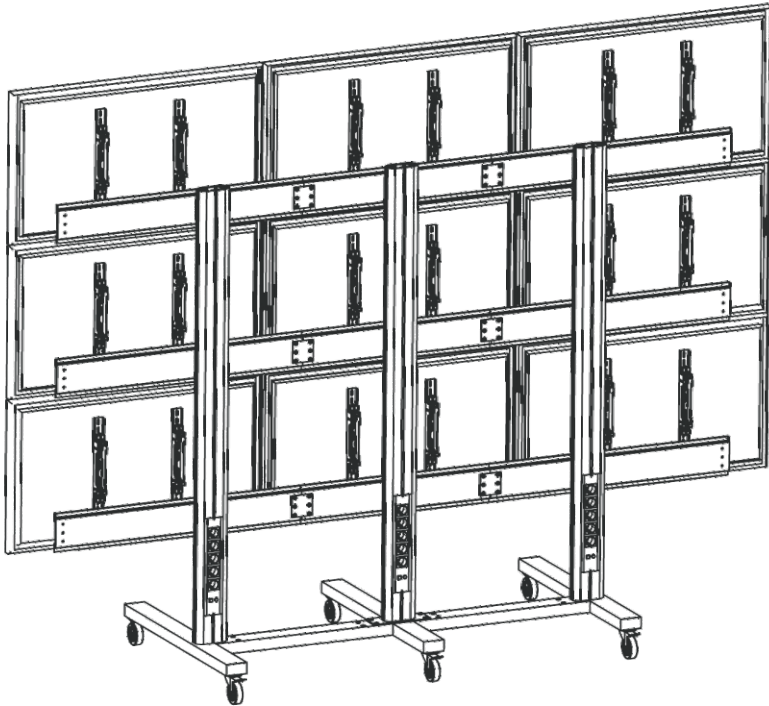
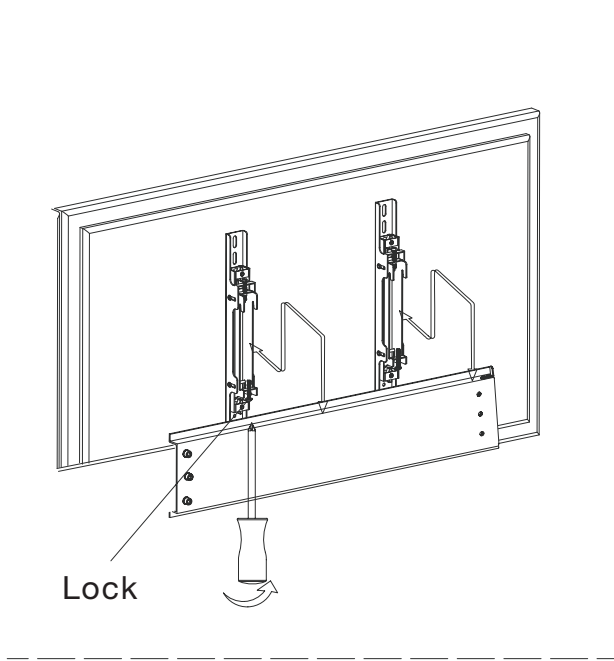
7



8



9



10

