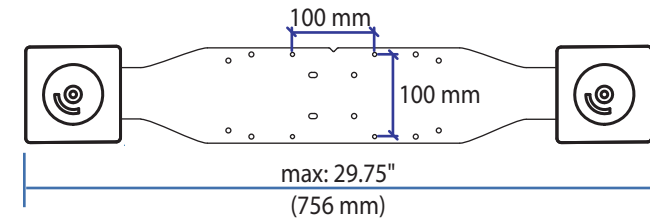
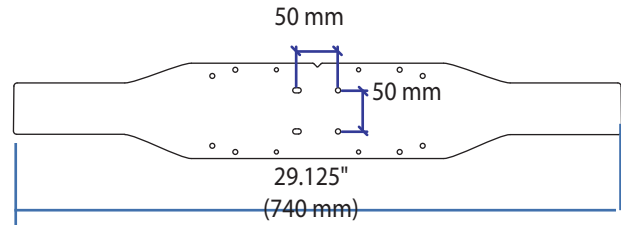


## Dual Monitor and Handle Kit

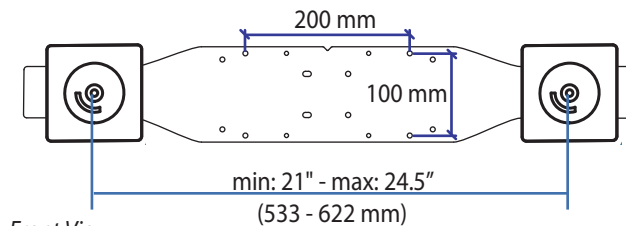
### Dimensions



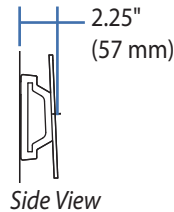
Front View



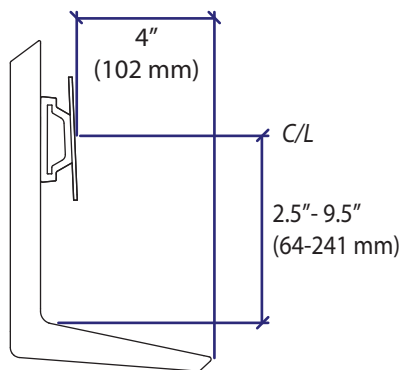
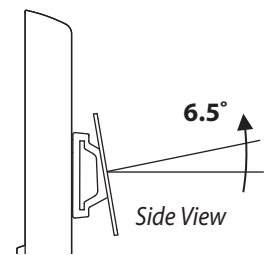
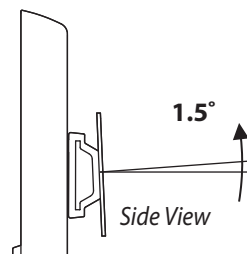
Front View



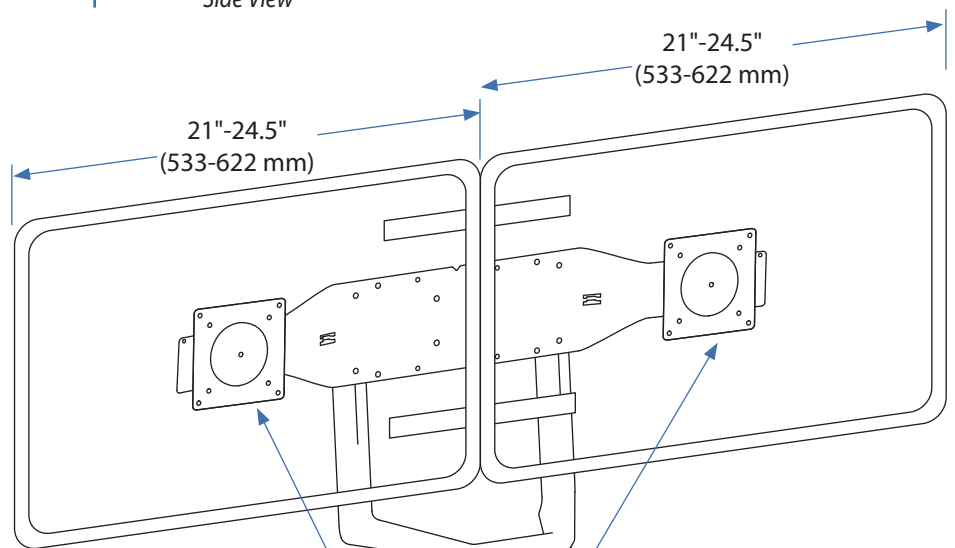
Front View



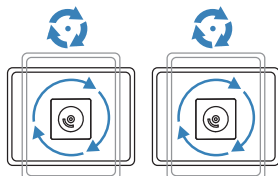
Side View



Side View

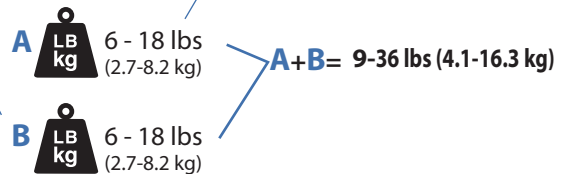


### Range of Motion



Front View

### Weight Capacity



This product adds an additional 6 lbs (2.7 kg) to your mounting solution. Your mounting solution's monitor weight capacity must be reduced by 6 lbs (2.7 kg) when using standard monitors less than or equal to 2.5" (64 mm) thick. Additional reduction will be required if monitors are greater than 2.5" (64 mm) thick.