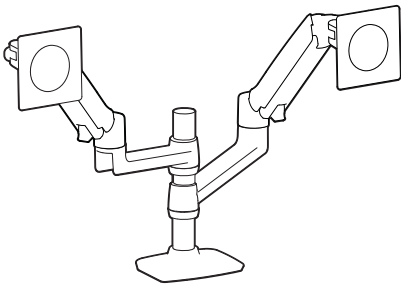
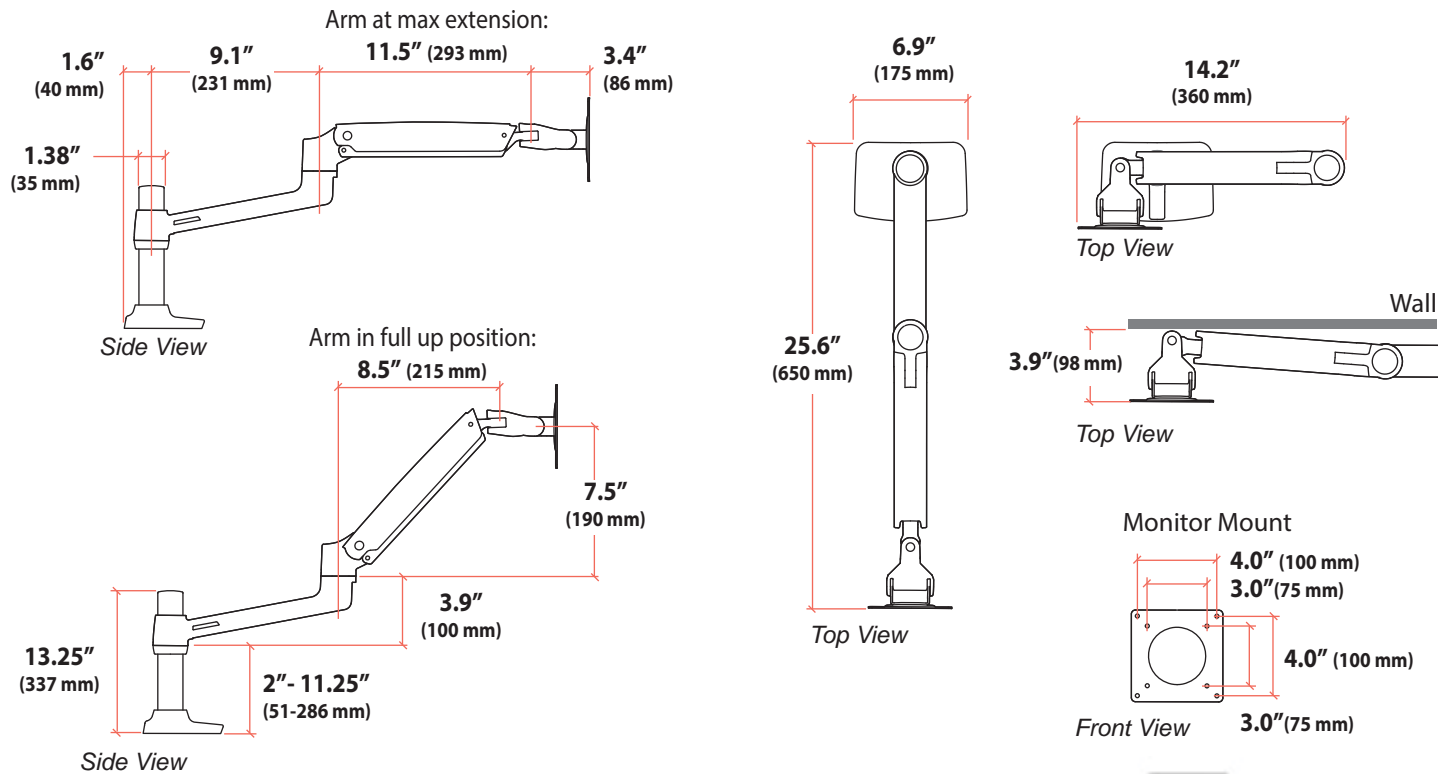


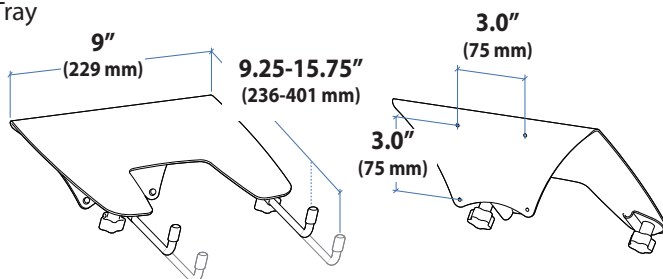
## LX Dual Stacking Arm



### Dimensions

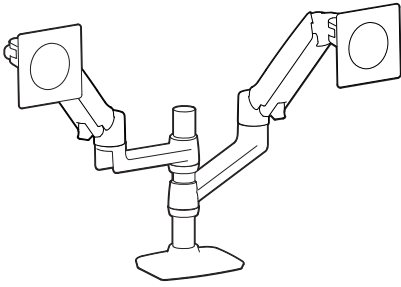


### Laptop Tray

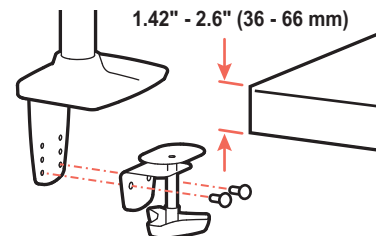
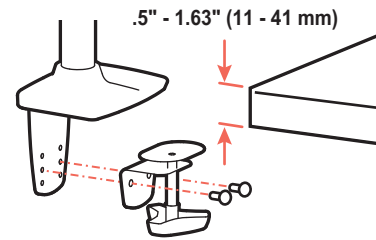
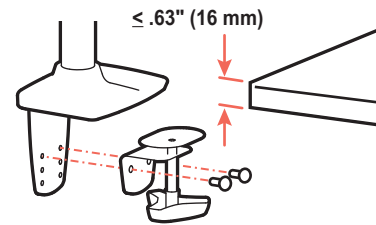
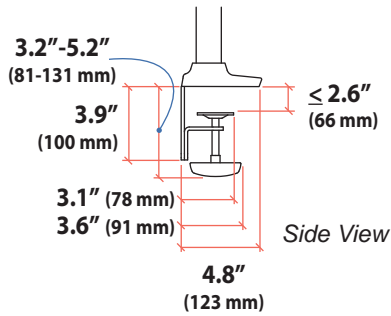
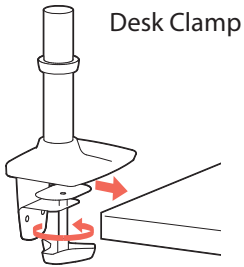


LCD Size  
≤ 24"

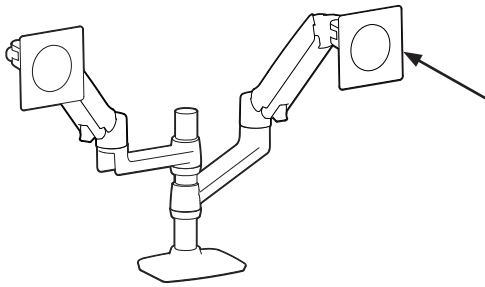
## LX Dual Stacking Arm



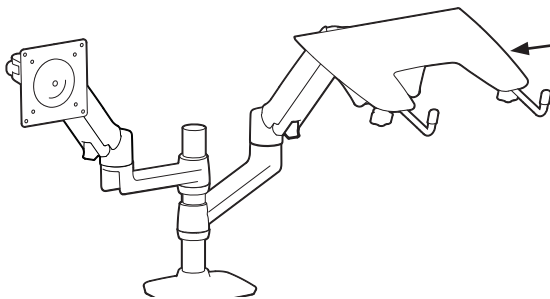
### Dimensions



## LX Dual Stacking Arm



**Weight Capacity per Monitor**  
 7 - 20 lbs (3.2 - 9.1 kg)  
 Monitor depth greater than 2.5" (64 mm) may diminish capacity.  
 Call Ergotron for more information.



**Weight Capacity for Laptop Tray**  
 0.5 - 12 lbs (0.23 - 5.4 kg)

### Range of Motion

