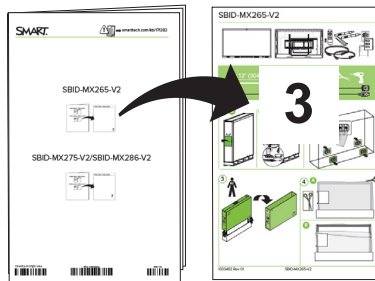
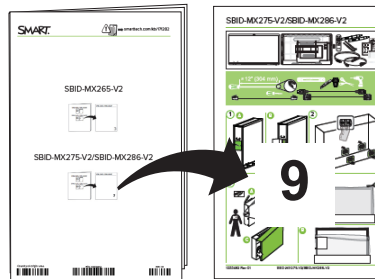


SMART Board MX-V3 series interactive displays

Models:
SBID-MX255-V3 | SBID-MX265-V3



Models:
SBID-MX275-V3 | SBID-MX286-V3





Do not move or mount the interactive flat panel by connecting rope or wire to its handles. Because the interactive flat panel is heavy, rope, wire or handle failure could lead to personal injury. Use only VESA®-approved mounting hardware.

Flyt eller monter ikke den interaktive fladskærm ved at binde reb eller wire til håndtagene. Da den interaktive fladskærm er tung, kan der ske personskade, hvis rebet, wiren eller håndtagene svigter. Brug kun VESA-godkendt monteringshardware.

Bewegen oder montieren Sie das Interactive Flat Panel nicht, indem Sie ein Seil oder einen Draht an dessen Handgriffen befestigen. Da das Interactive Flat Panel schwer ist, kann ein Versagen des Seils oder ein Brechen der Griffe zu Verletzungen führen. Verwenden Sie ausschließlich von VESA genehmigte Montageelemente.

No mueva ni monte la pantalla plana interactiva utilizando cuerdas o alambre en sus asas. Como la pantalla plana interactiva es pesada, si se rompe o daña la cuerda o el alambre, se podrían producir lesiones personales. Utilice únicamente herramientas de montaje aprobadas por VESA.

Älä siirrä tai kiinnitä interaktiivista laajakuvanäyttöä yhdistämällä köyttä tai vajjeria sen kahvoihin. Koska interaktiivinen laajakuvanäyttö on painava, köyden, vajjerin tai kahvan rikkoutuminen saattaa aiheuttaa henkilövahinkoja. Käytä vain VESA-hyväksytyjä kiinnitysvälineitä.

Ne déplacez pas et ne fixez pas l'écran plat interactif en attachant des cordes ou des câbles à ses poignées. Étant donné le poids de l'écran plat interactif, si une corde, un câble ou une poignée lâche, vous risquez de vous blesser. Utilisez uniquement des équipements de fixation approuvés par VESA.

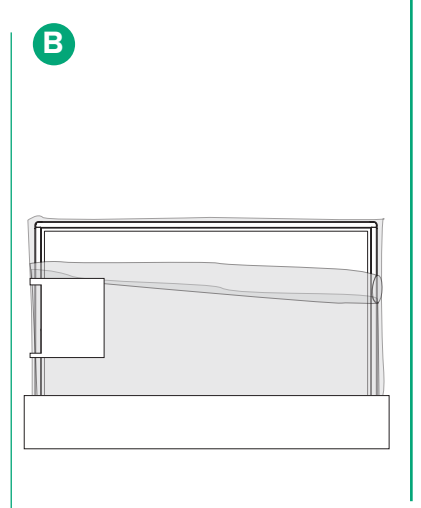
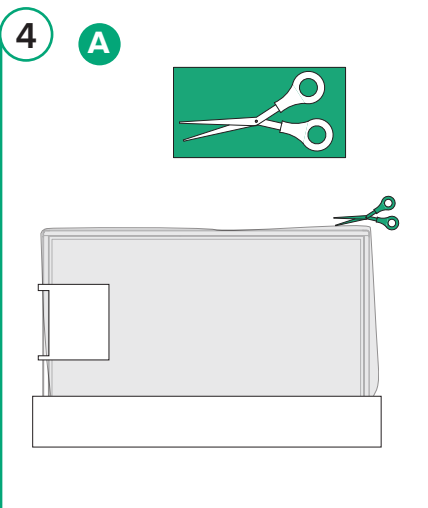
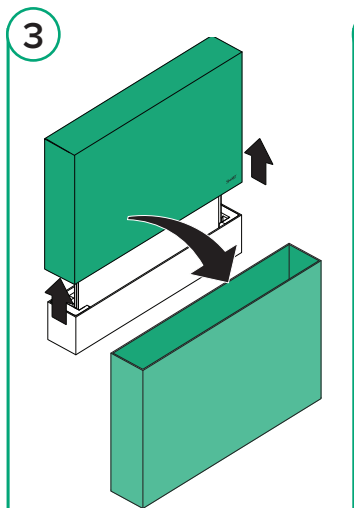
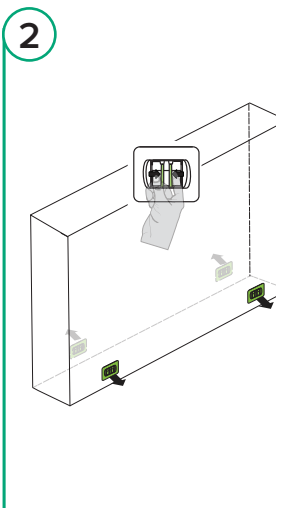
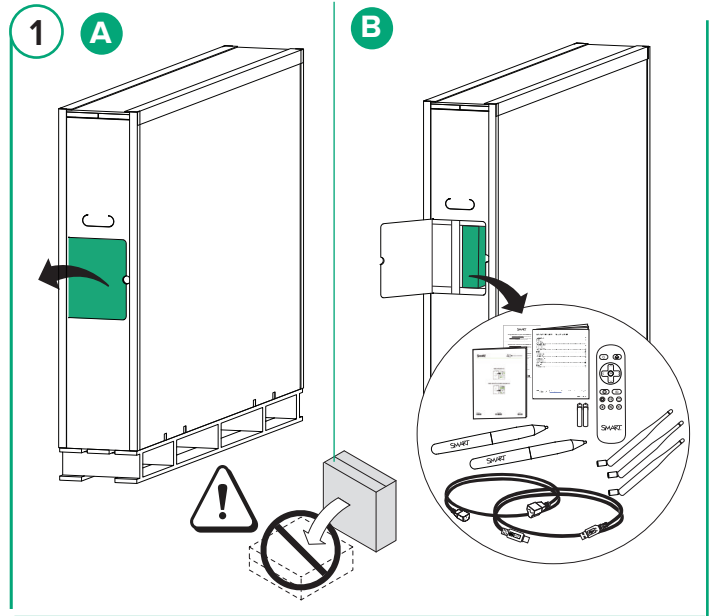
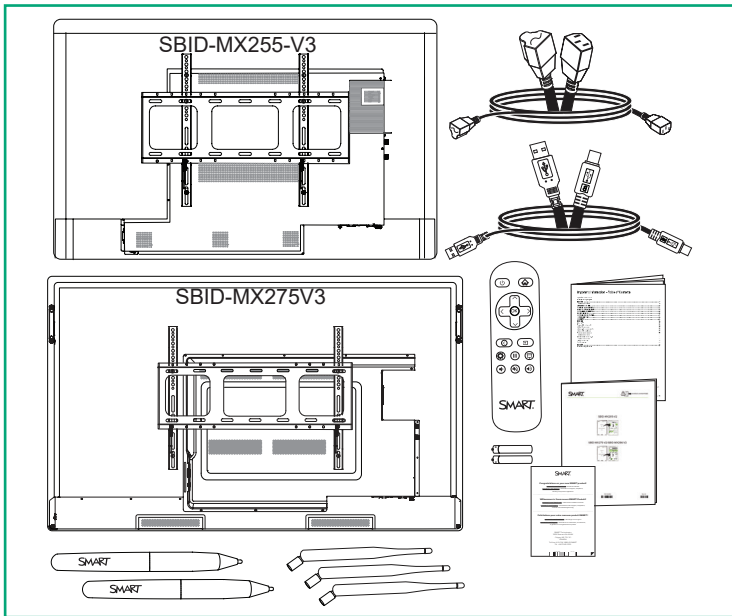
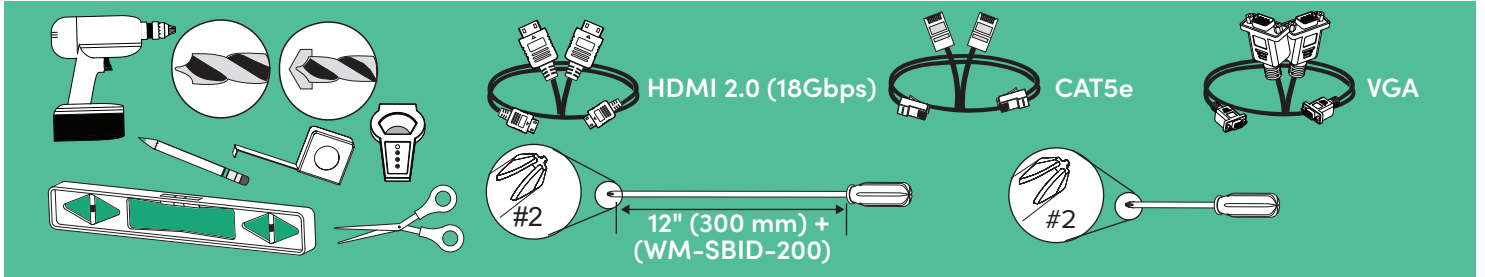
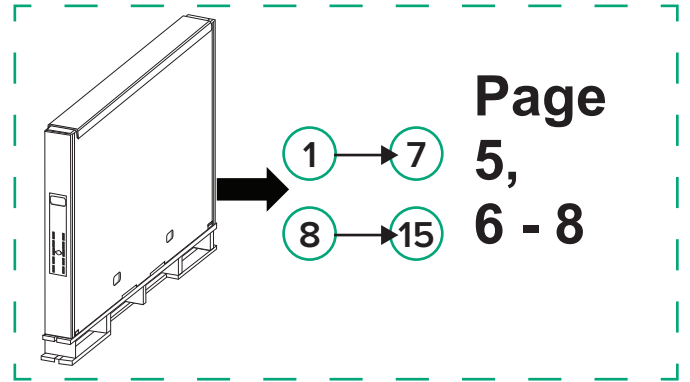
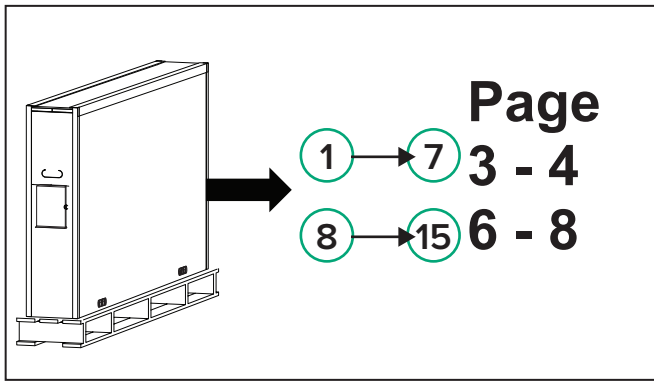
Non spostare o montare lo schermo piatto interattivo agganciando una corda o un cavo alle maniglie. Poiché lo schermo piatto interattivo è pesante, la rottura della corda, del cavo o della maniglia potrebbe provocare lesioni personali. Utilizzare solo componenti di montaggio con approvazione VESA.

Bevestig geen touw of draad aan de handvatten om het interactieve flatpanel te verplaatsen of bevestigen. Omdat het interactieve flatpanel zwaar is, kunt u door het breken van het touw of draad letsel oplopen. Gebruik alleen VESA-goedgekeurde apparatuur.

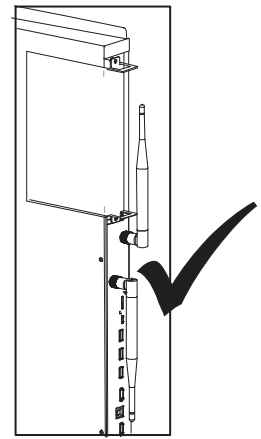
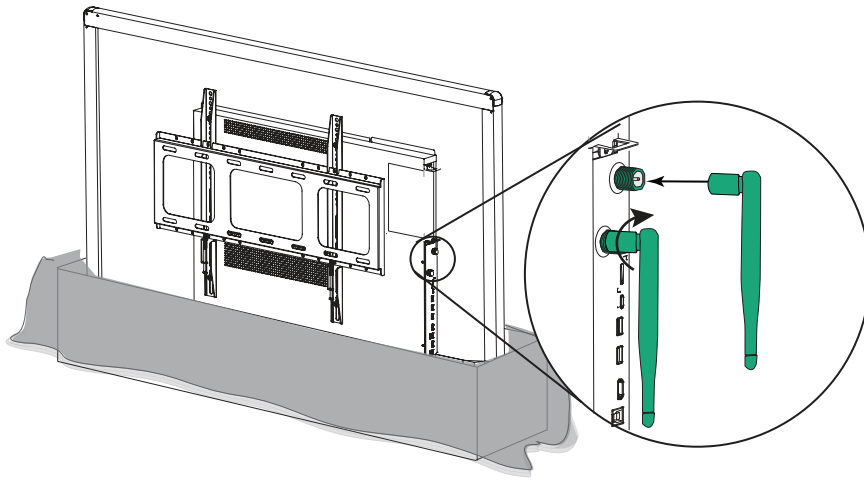
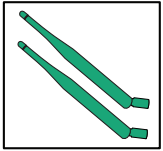
Du må ikke flytte eller montere det interaktive flatpanelet ved å feste et tau eller en vaier i håndtakene. Fordi det interaktive flatpanelet er tungt, kan svikt i tauet, vaieren eller håndtaket føre til personskader. Bruk kun VESA-godkjent monteringsutstyr.

Не перемещайте и не устанавливайте интерактивный дисплей с помощью каната или провода, продетого в его ручки. Несоблюдение этих инструкций может привести к травмам и повреждению оборудования, поскольку интерактивный дисплей очень тяжелый. Используйте одобренное компанией VESA оборудование для монтажа.

Flytta eller montera inte den interaktiva platta skärmen genom att fästa ett rep eller ståltråd i dess handtag. Eftersom den interaktiva platta skärmen är tung, kan repet, ståltråden och handtaget lossna och leda till personskada. Använd endast VESA-godkänd monteringshårdvara.

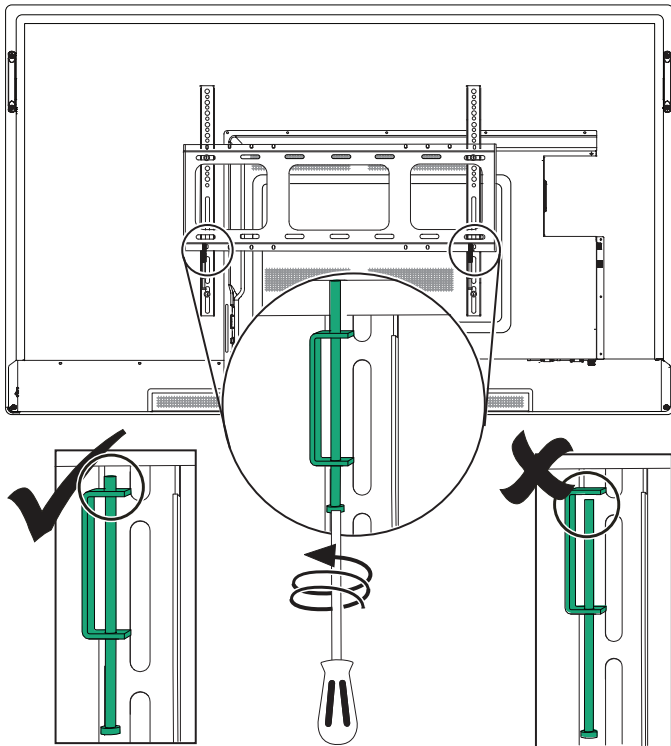


5

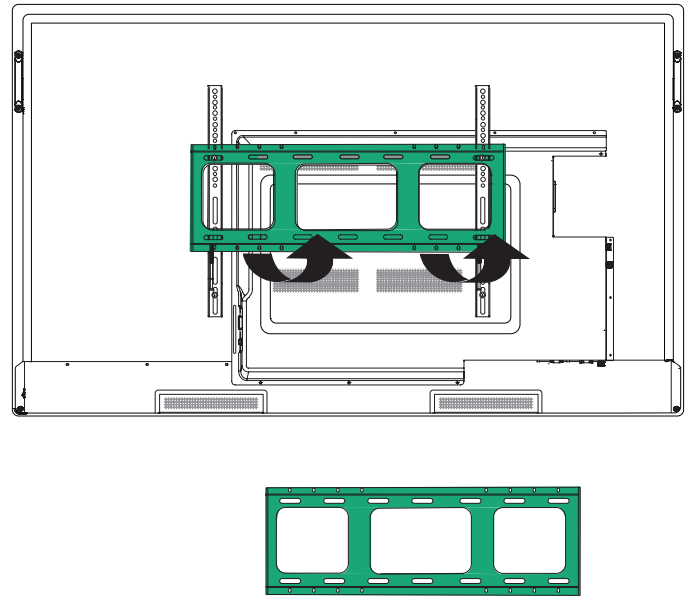


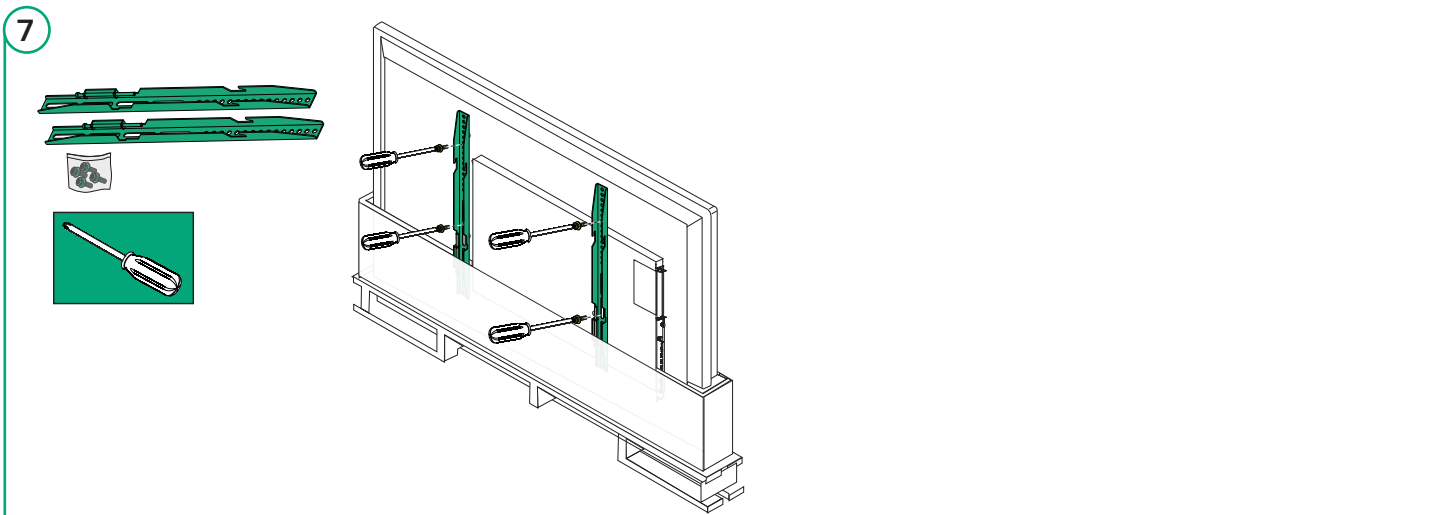
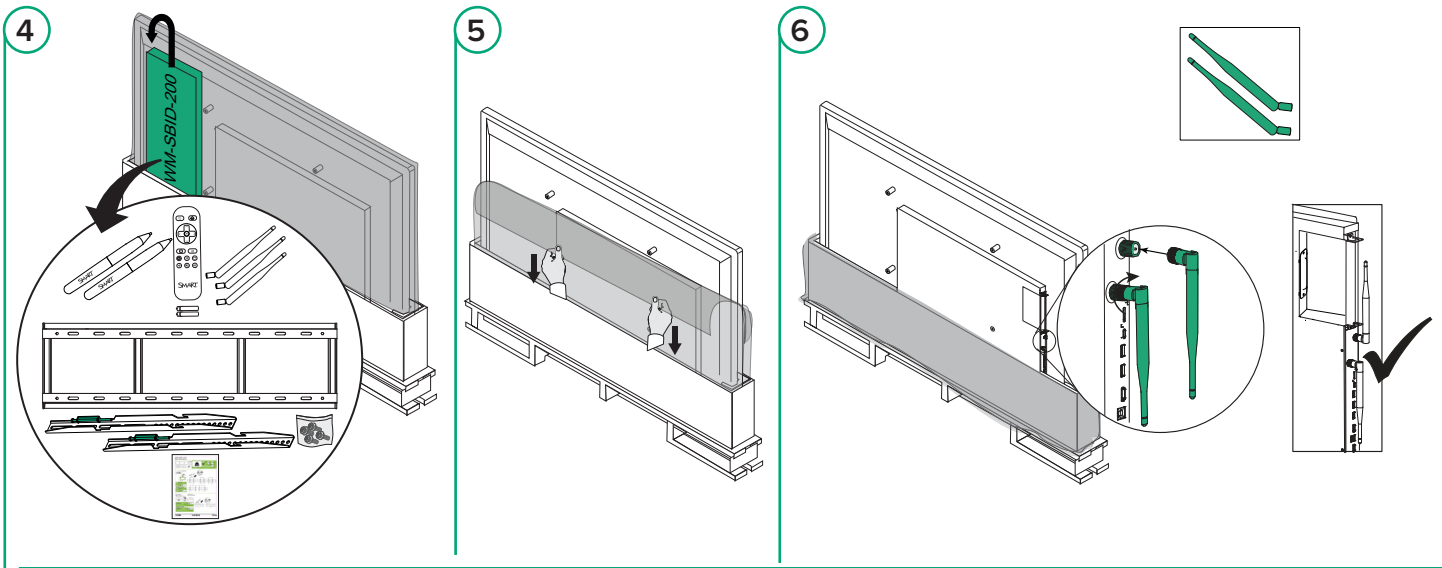
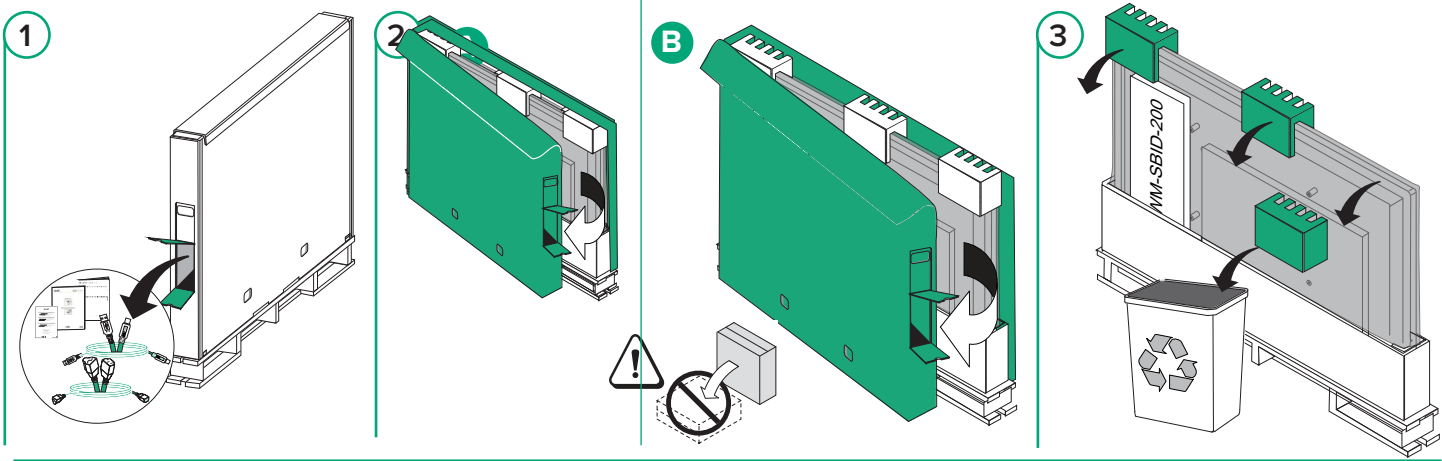
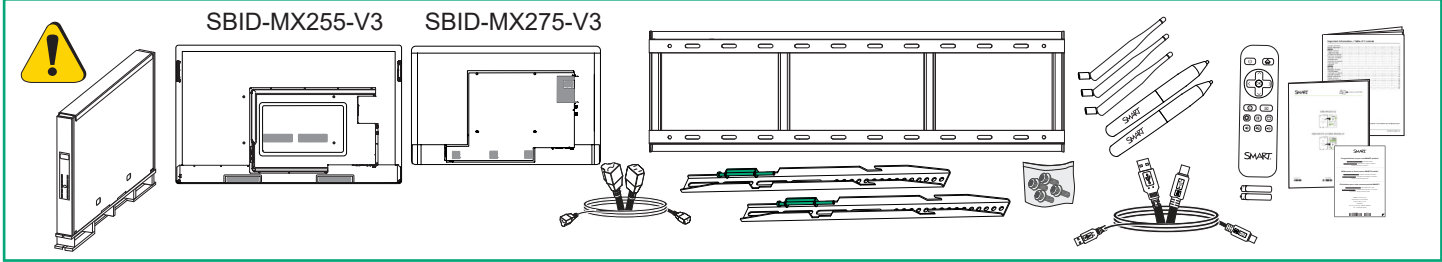
6

A

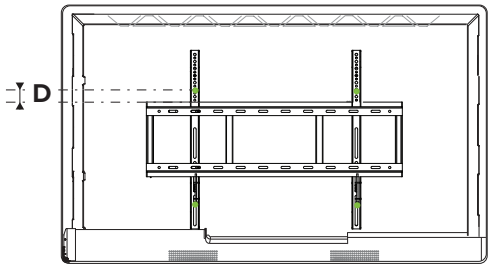
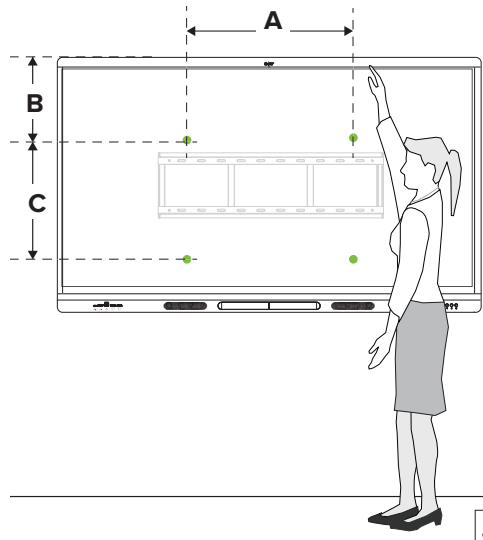
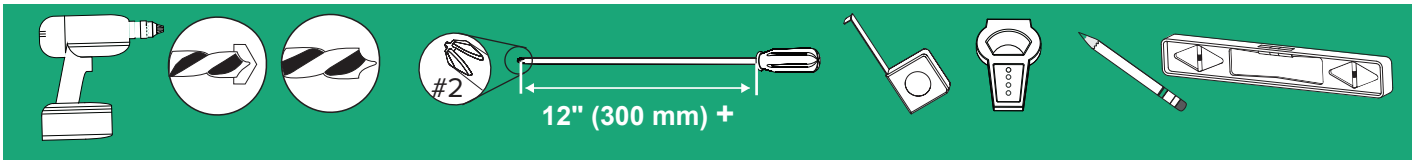


7





8

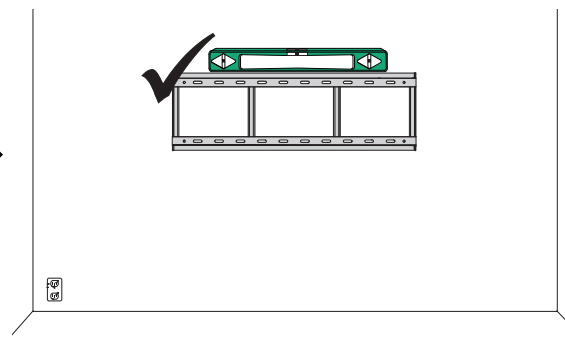
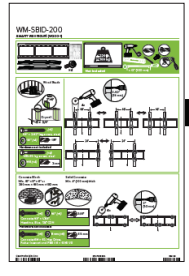
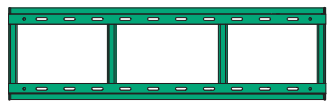


SBID-MX255-V3

A	15 3/4" (40 cm)
B	7 1/2" (19 cm)
C	15 3/4" (40 cm)
D	2 3/8" (6 cm)

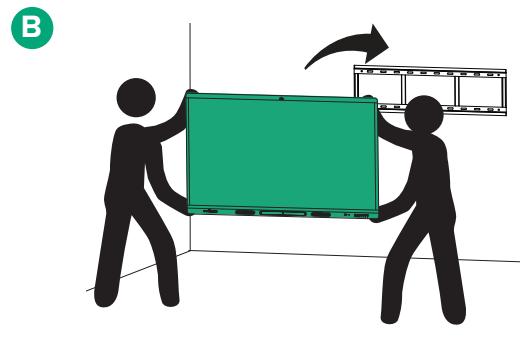
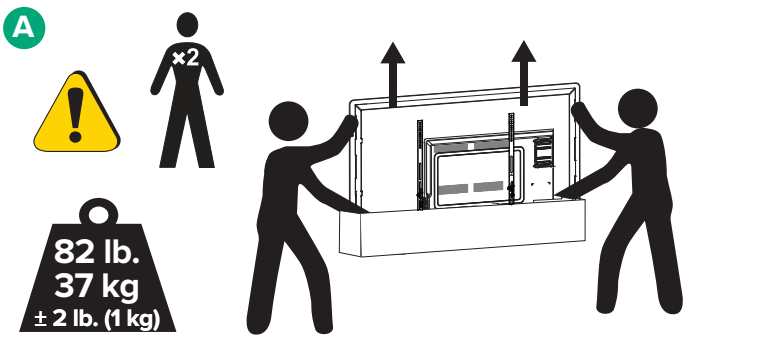
SBID-MX265-V3

A	23 5/8" (60 cm)
B	15" (38 cm)
C	15 3/4" (40 cm)
D	2 3/4" (7 cm)

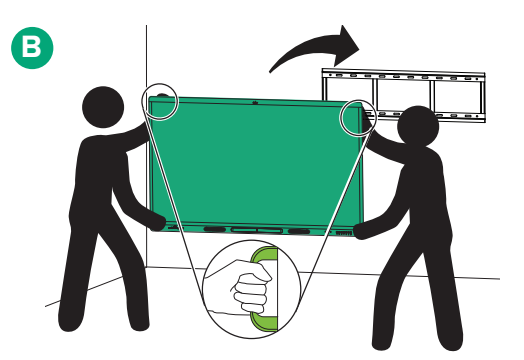
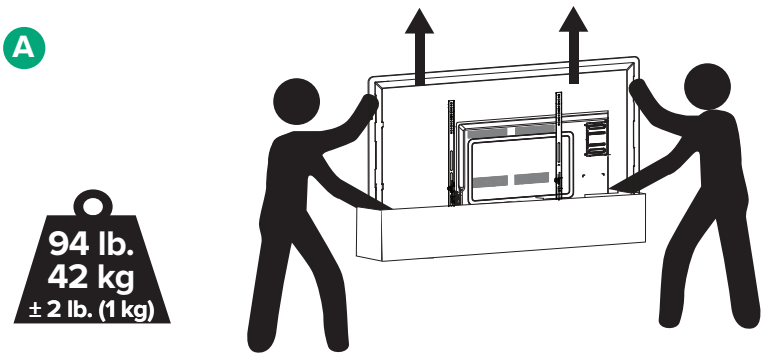


9

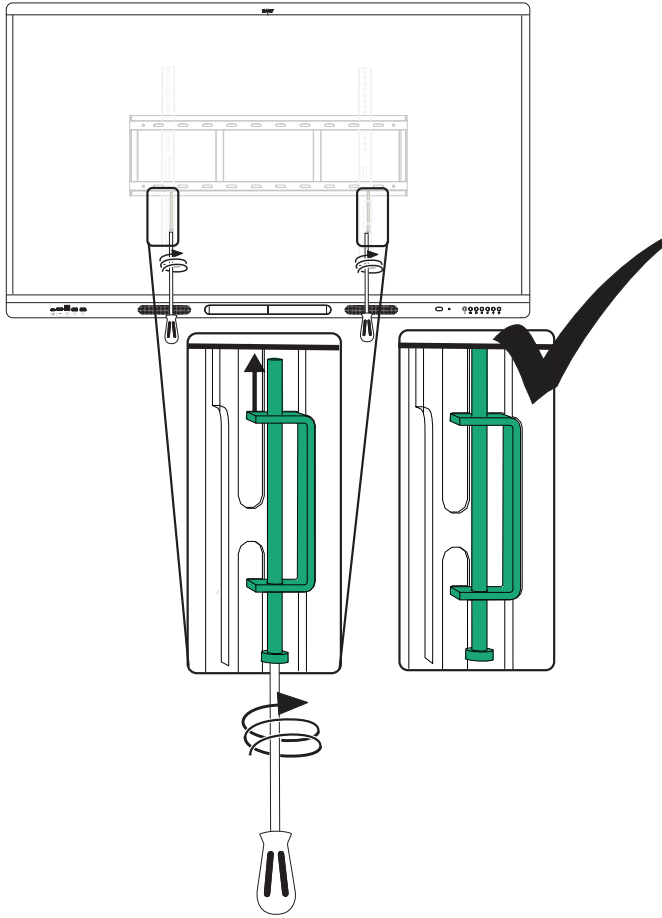
SBID-MX255-V3



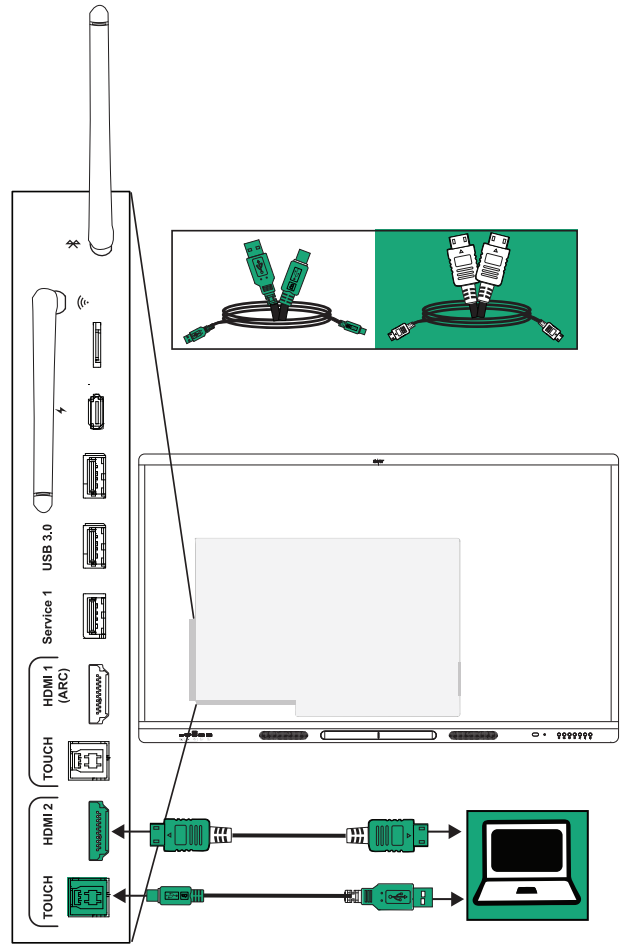
SBID-MX265-V3



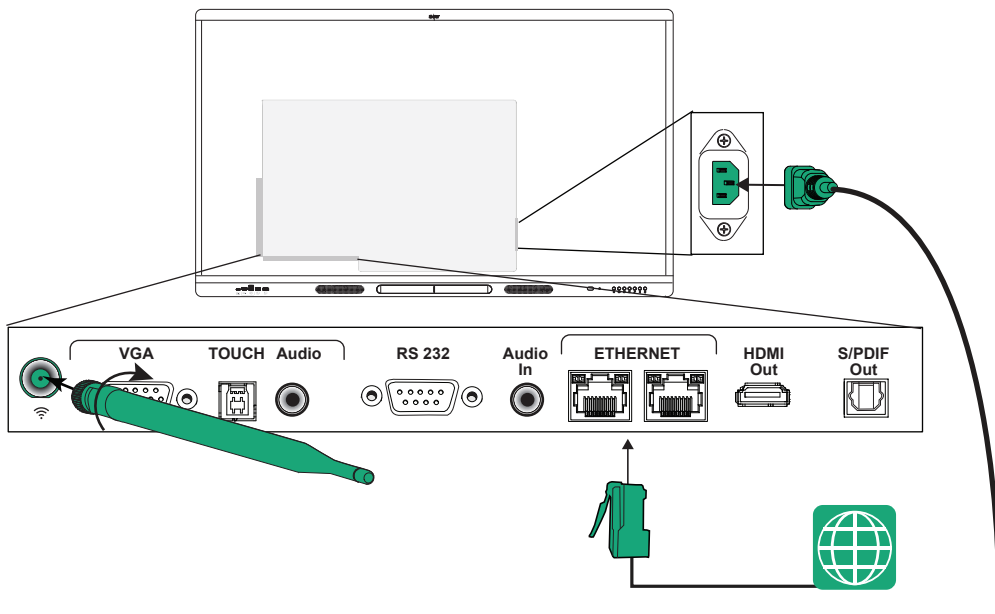
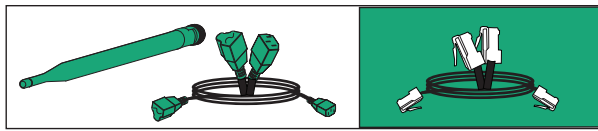
10



11

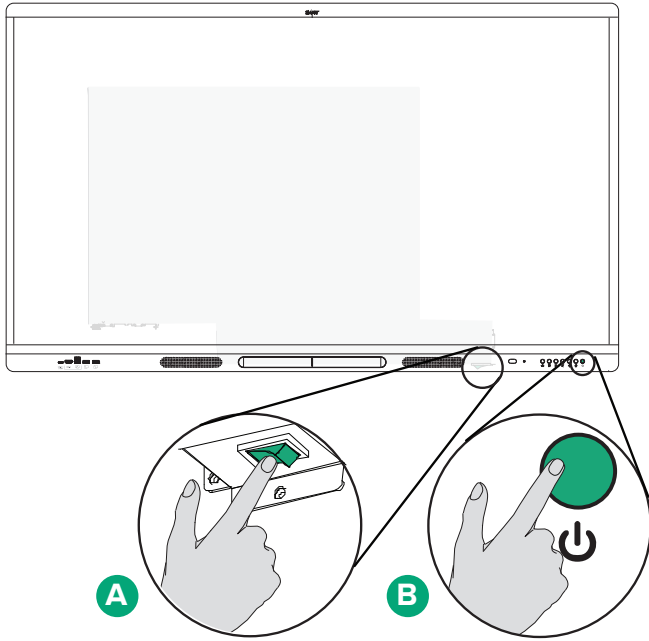


12

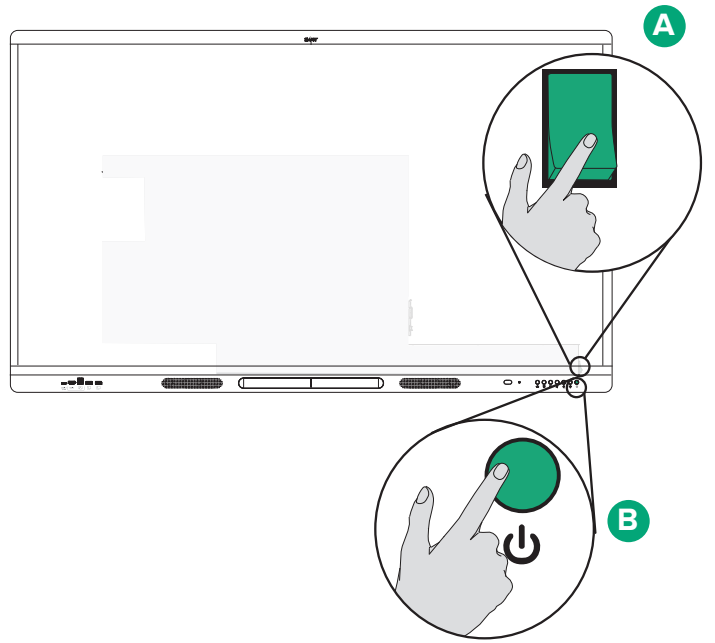


13

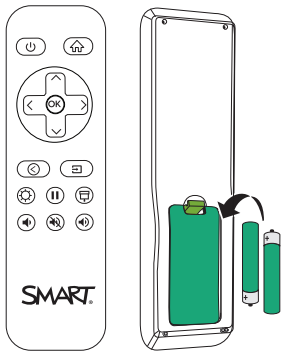
SBID-MX255-V3



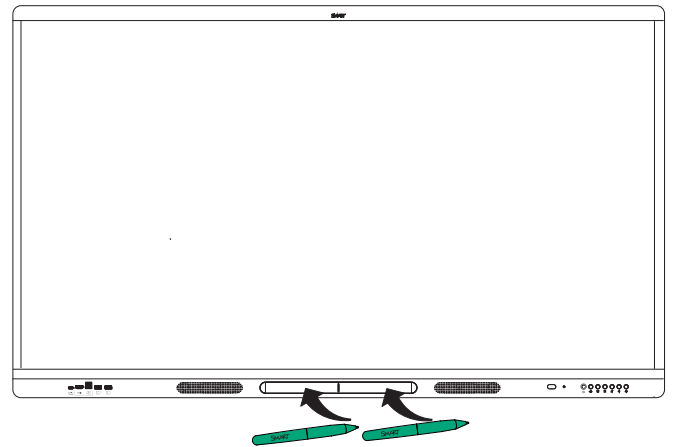
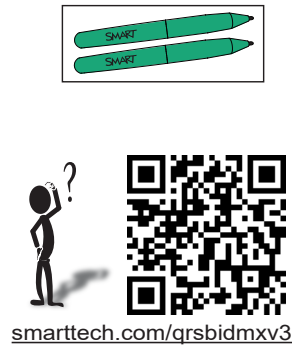
SBID-MX265-V3

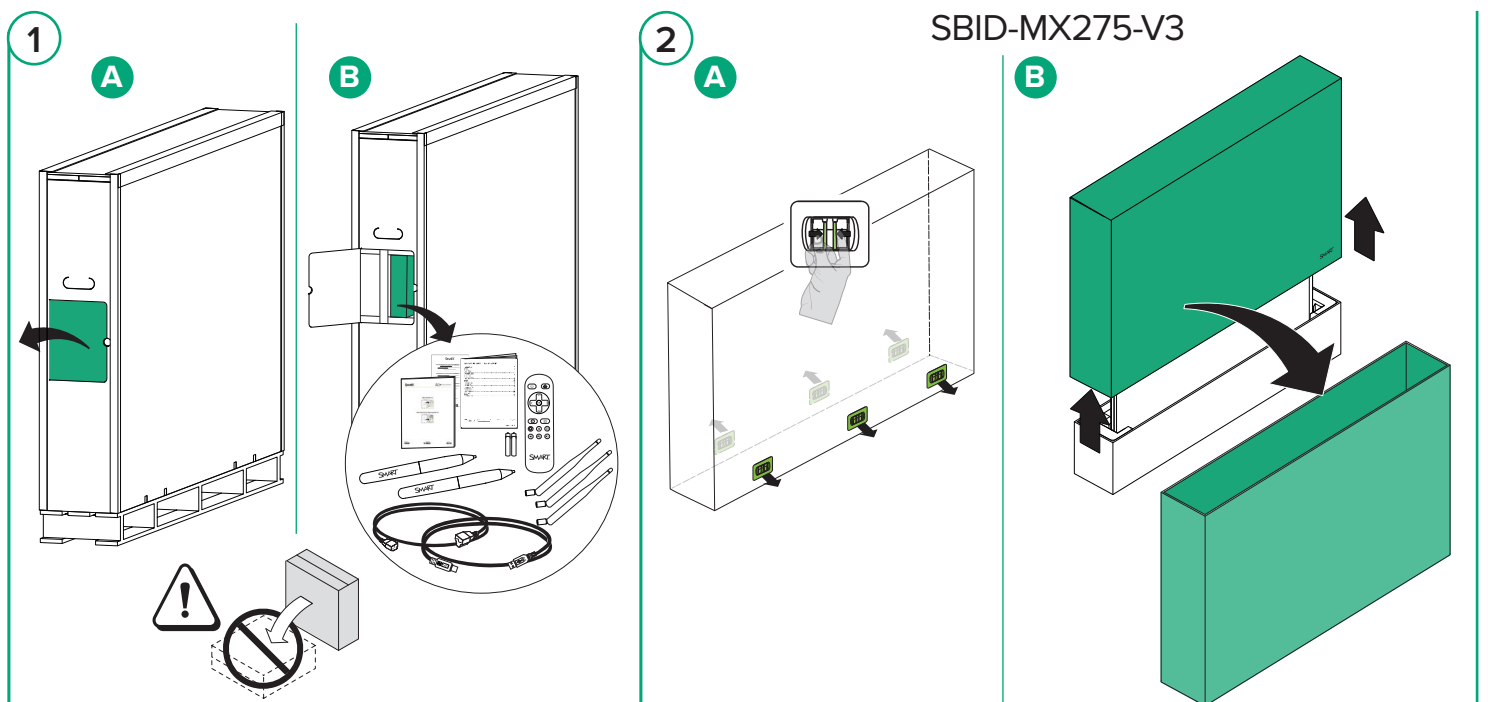
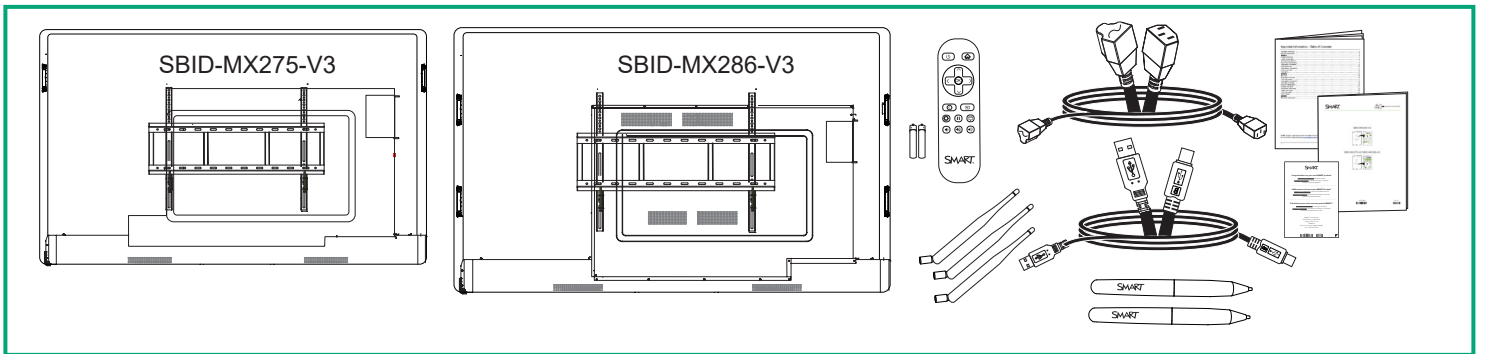
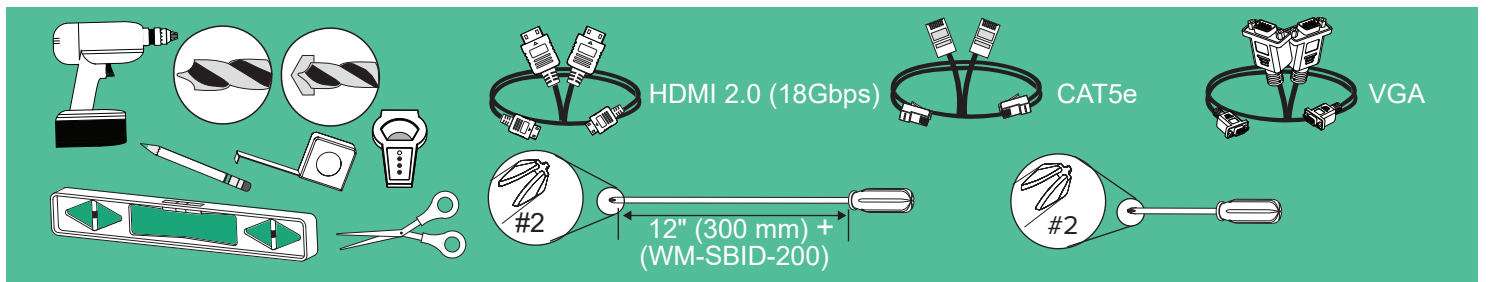
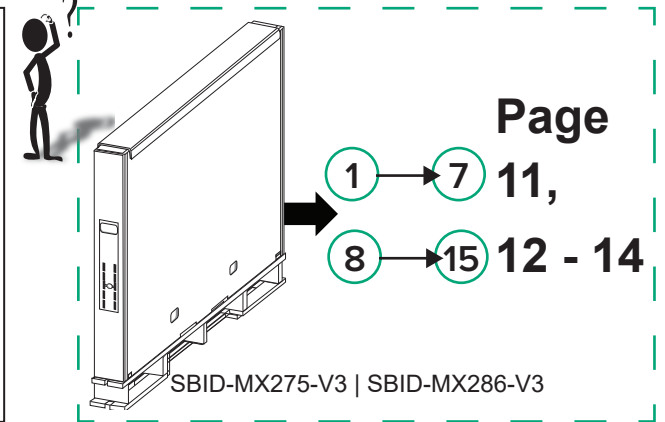
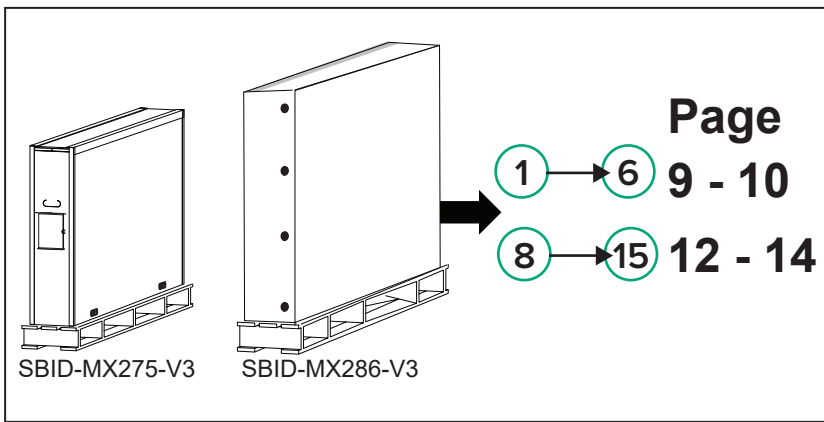


14



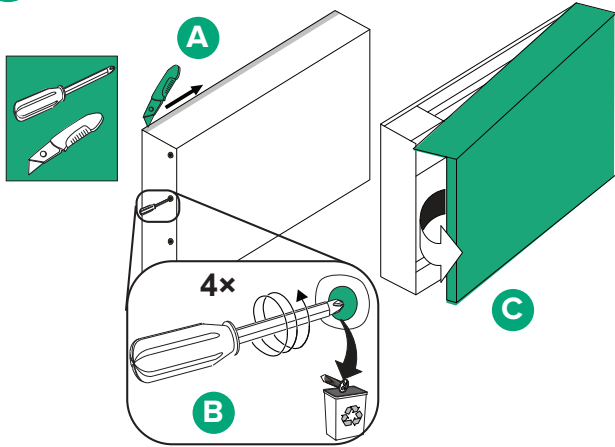
15





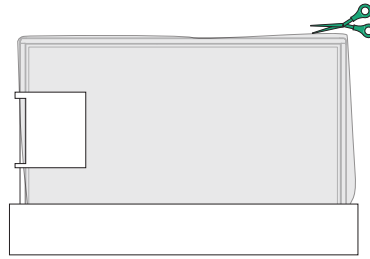
2

SBID-MX286-V3

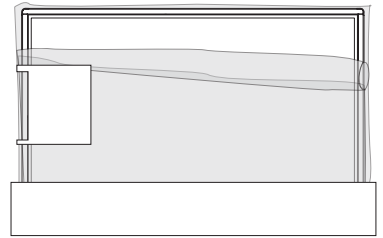


3

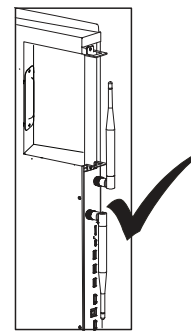
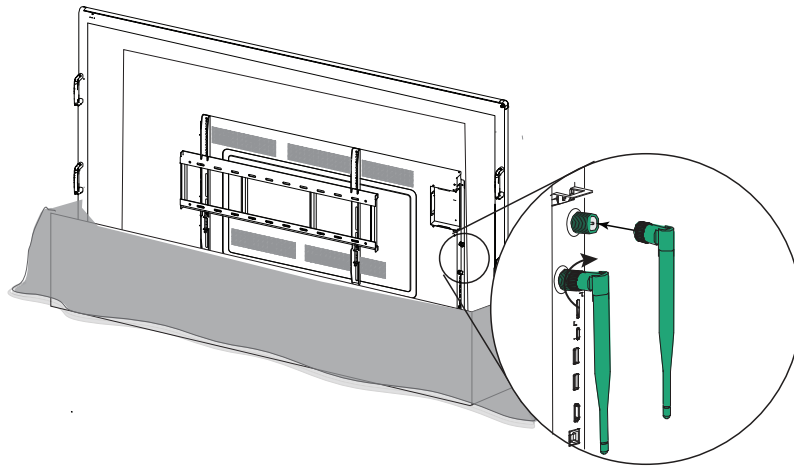
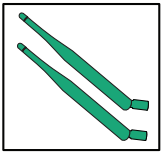
A



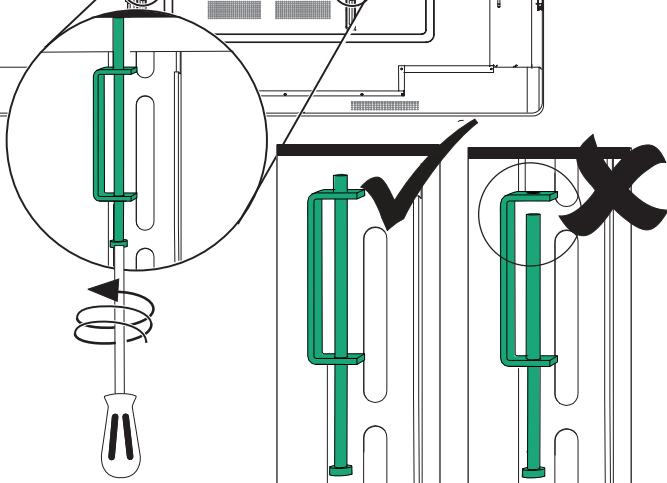
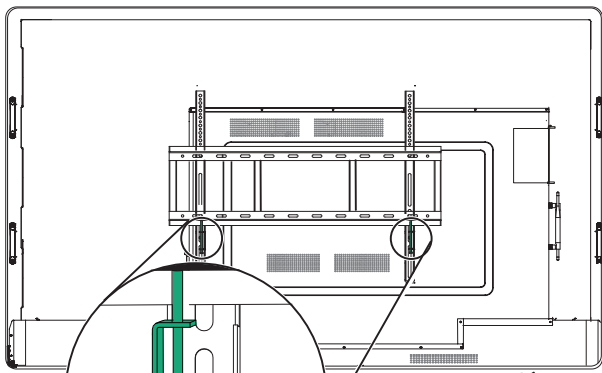
B



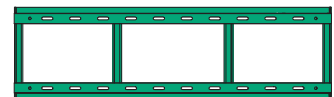
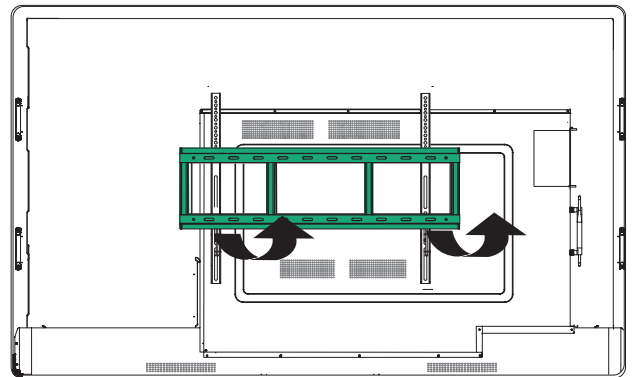
4

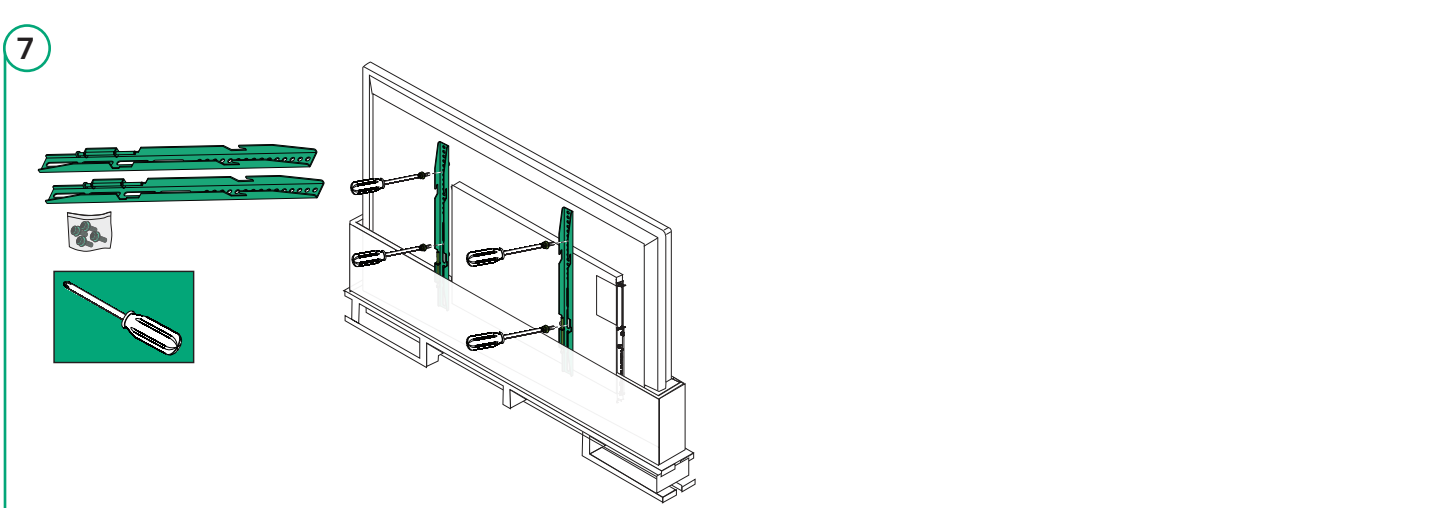
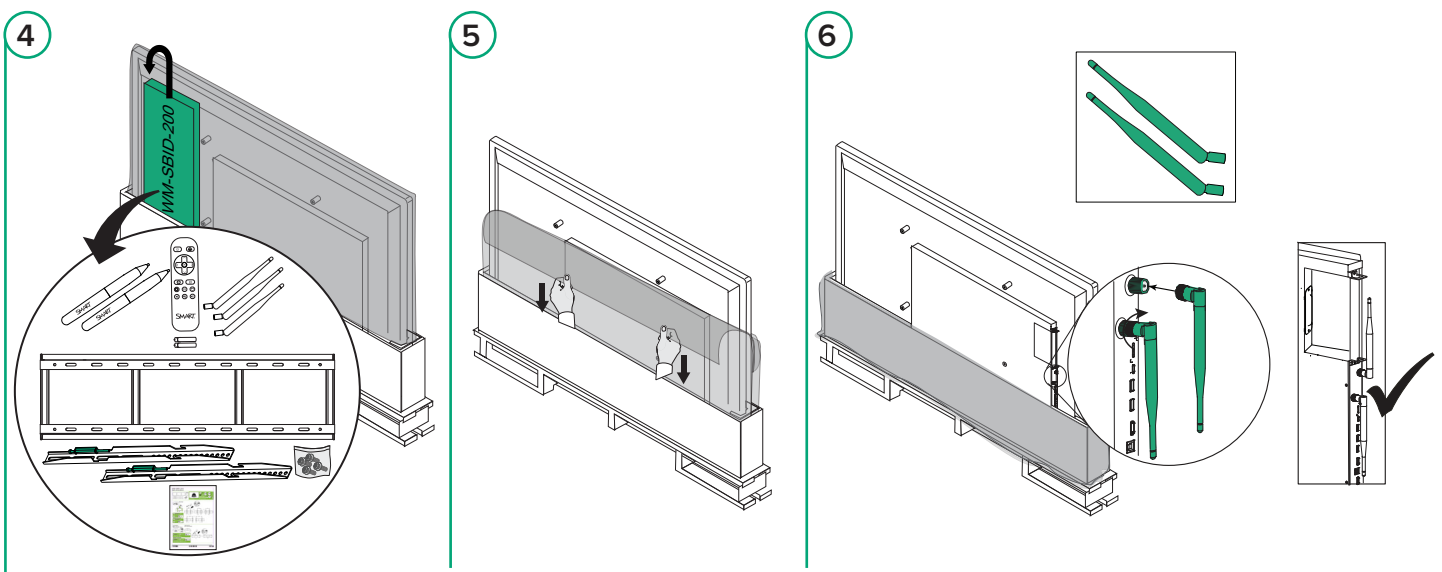
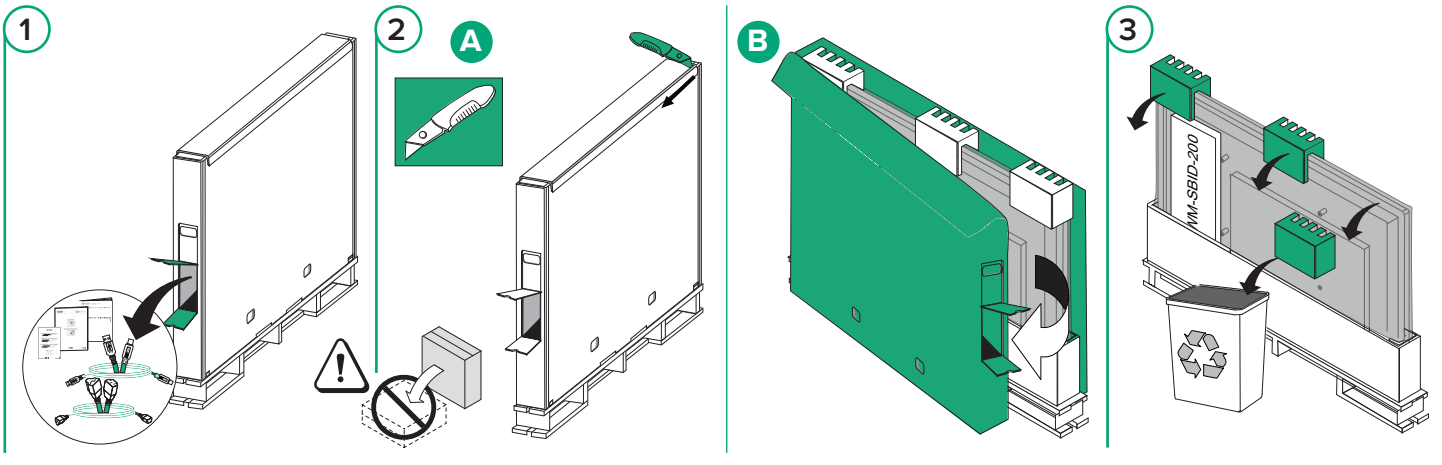
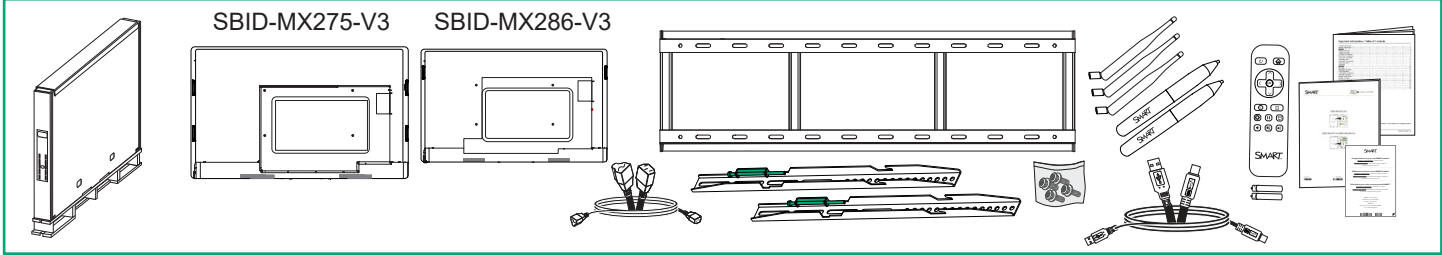


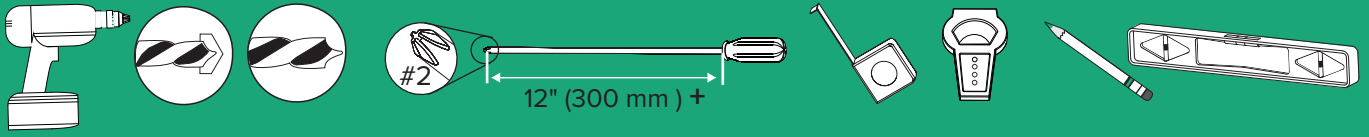
5



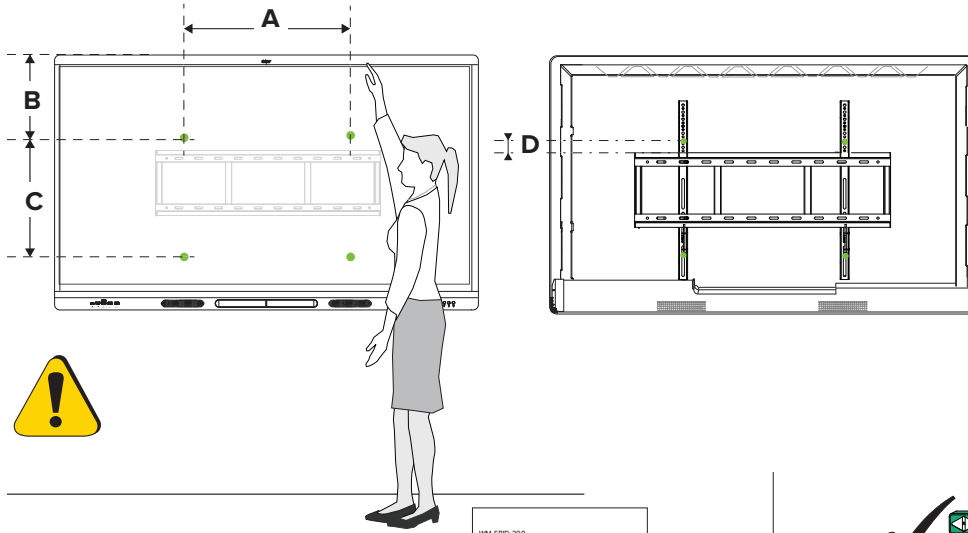
6







8

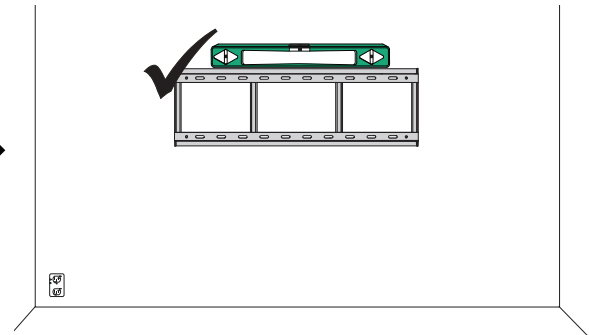
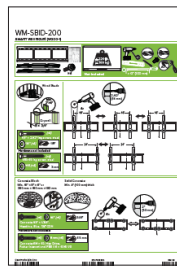
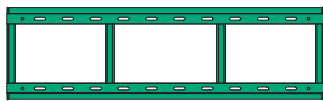


SBID-MX275-V3

A	23 5/8" (60 cm)
B	11 7/8" (30 cm)
C	15 3/4" (40 cm)
D	3 3/4" (9.5 cm)

SBID-MX286-V3

A	27 5/8" (70 cm)
B	15" (38 cm)
C	15 3/4" (40 cm)
D	4 3/4" (12 cm)



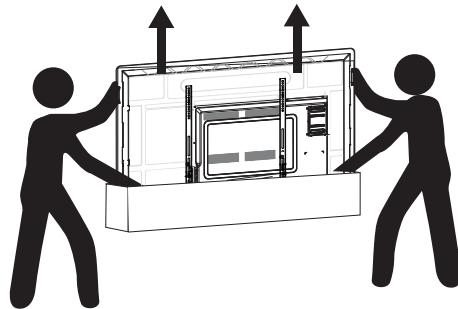
9

SBID-MX275-V3

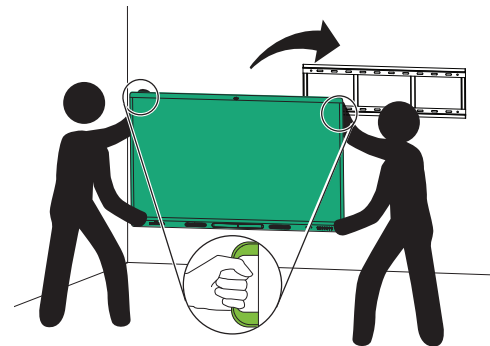
A



**127 lb.
58 kg
± 2 lb. (1 kg)**



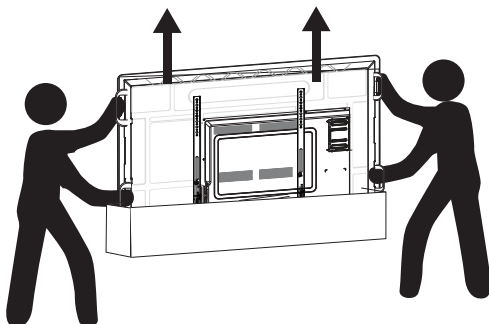
B



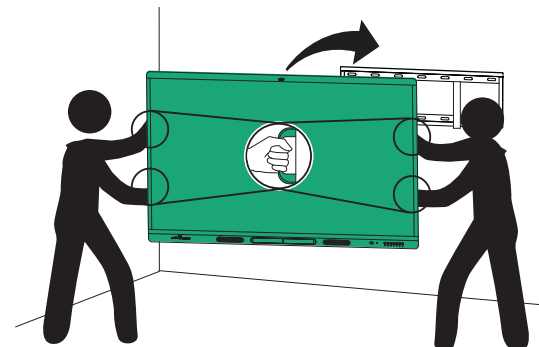
SBID-MX286-V3

A

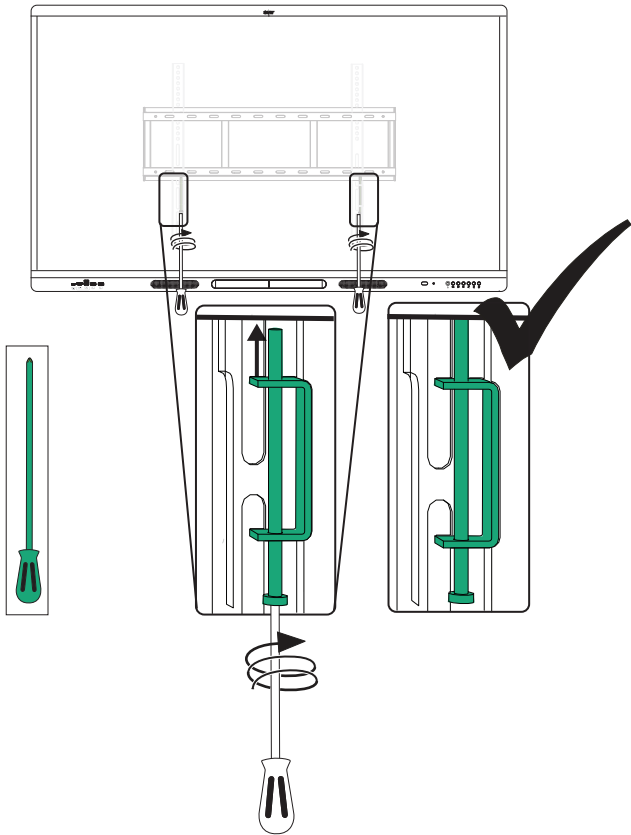
**163 lb.
74 kg
± 2 lb. (1 kg)**



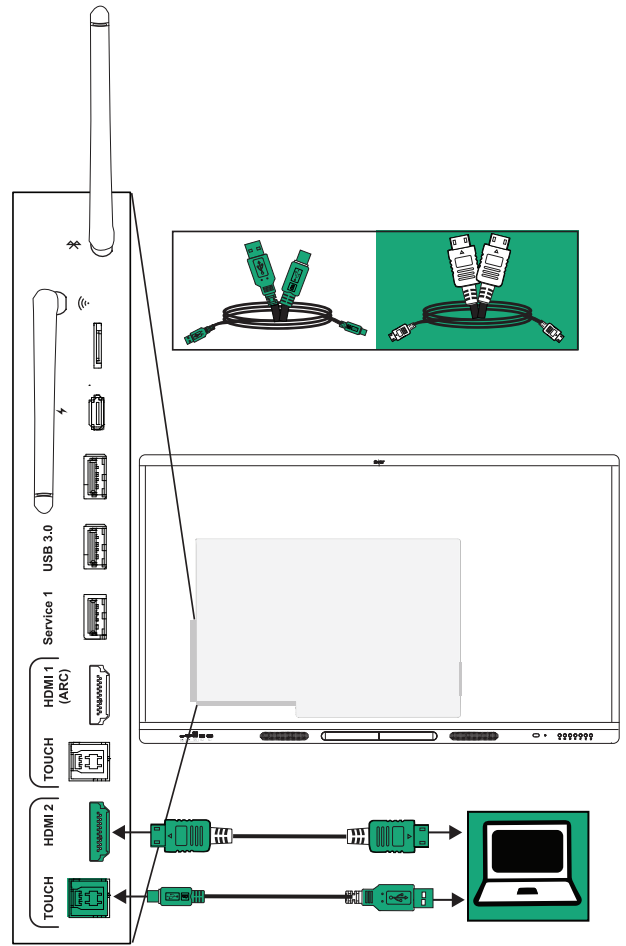
B



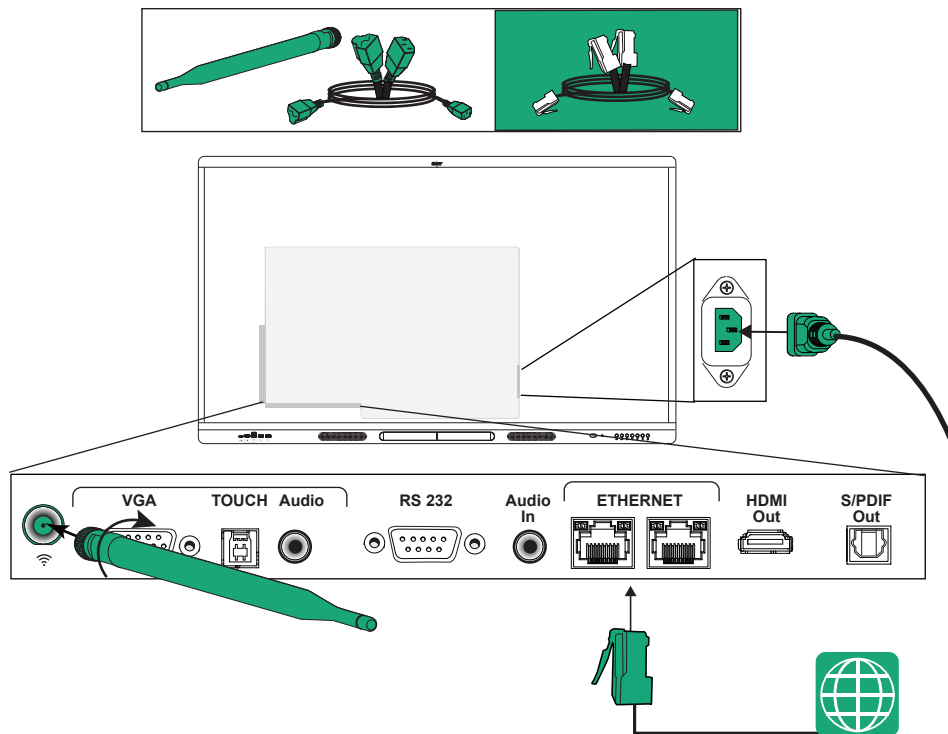
10



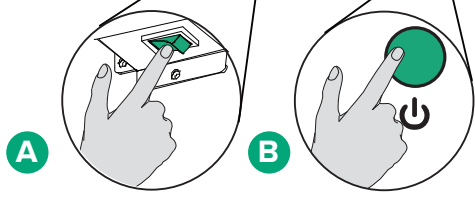
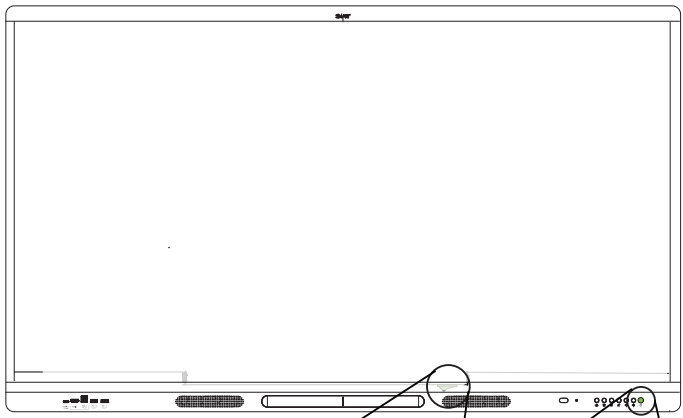
11



12

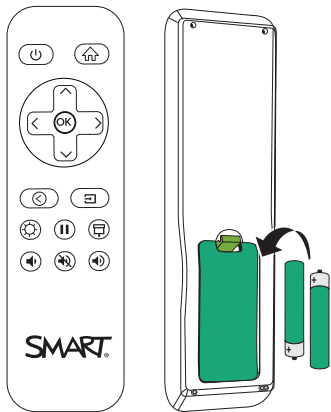


13

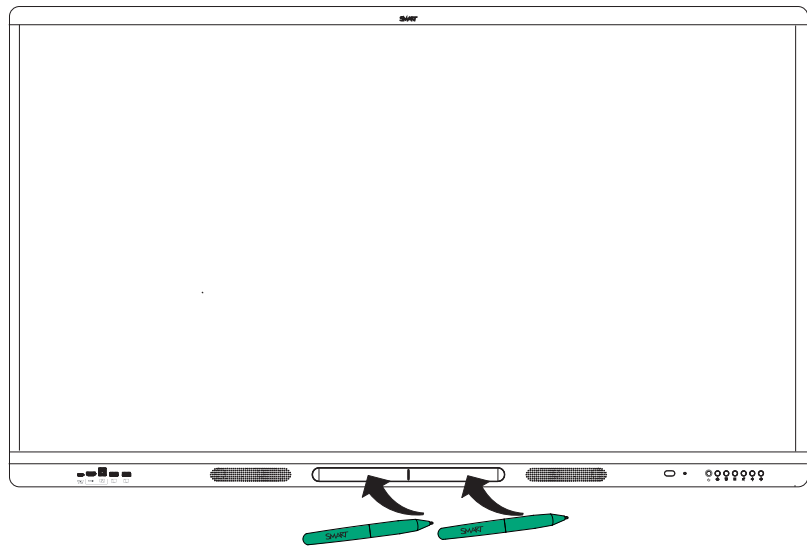
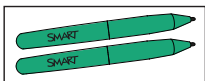


smarttech.com/qrsbidmxv3

14



15



Was this document helpful? smarttech.com/docfeedback/171585

EUROPE

EU Declaration of Conformity

Hereby, SMART Technologies ULC declares that the radio equipment type Interactive Displays (Model: IDX55-3, IDX65-2, IDX75-3, IDX86-3) and OPS (Model: PCM8) is in compliance with Directive 2014/53/EU. The full text of the EU declaration of conformity is available at the following internet address: www.smarttech.com/compliance

The frequency band and the maximum transmitted power in EU are: 2400MHz – 2483.5MHz: 20dBm (EIRP) 5150MHz – 5825MHz: 23dBm (EIRP)

Restrictions in

AT/BE/BG/CZ/DK/EE/FR/DE/IS/IE/IT/EL/ES/CY/LV/LI/LT/LU/HU/MT/NL/NO/PL/PT/RO/SI/SK/TR/FI/SE/CH/UK/HR. 5150MHz-5350MHz is for indoor use only.



The terms HDMI, HDMI High-Definition Multimedia Interface, HDMI trade dress and the HDMI Logos are trademarks or registered trademarks of HDMI Licensing Administrator, Inc.

Hardware environmental compliance

SMART Technologies supports global efforts to ensure that electronic equipment is manufactured, sold and disposed of in a safe and environmentally friendly manner.

Waste Electrical and Electronic Equipment and Battery regulations (WEEE and Battery Directives)



Electrical and electronic equipment contain substances that can be harmful to the environment and to human health. The crossed-out wheeled bin symbol indicates that products should be disposed of in the appropriate recycling stream and not as regular waste. See smarttech.com/compliance for more information.

Batteries



The interactive display contains a CR1220 coin cell battery. The Appliance Module contains a CR2032 coin cell battery. The remote contains two AAA batteries. Recycle or dispose of batteries properly.

Perchlorate material

The interactive display and Appliance Module batteries contain perchlorate material. Special handling may apply. See dtsc.ca.gov/hazardouswaste/perchlorate.

危险材料表 (Hazardous Materials Table) 按照以SJ/T 11364的规定 · 请访问

查阅本产品有害物质表 smarttech.com/compliance

In accordance with the provisions of SJ/T 11364, please visit smarttech.com/compliance for this product hazardous materials table.



support.smarttech.com

support.smarttech.com/contact-support

SMART Board® SMART®

smarttech.com/kb/171785