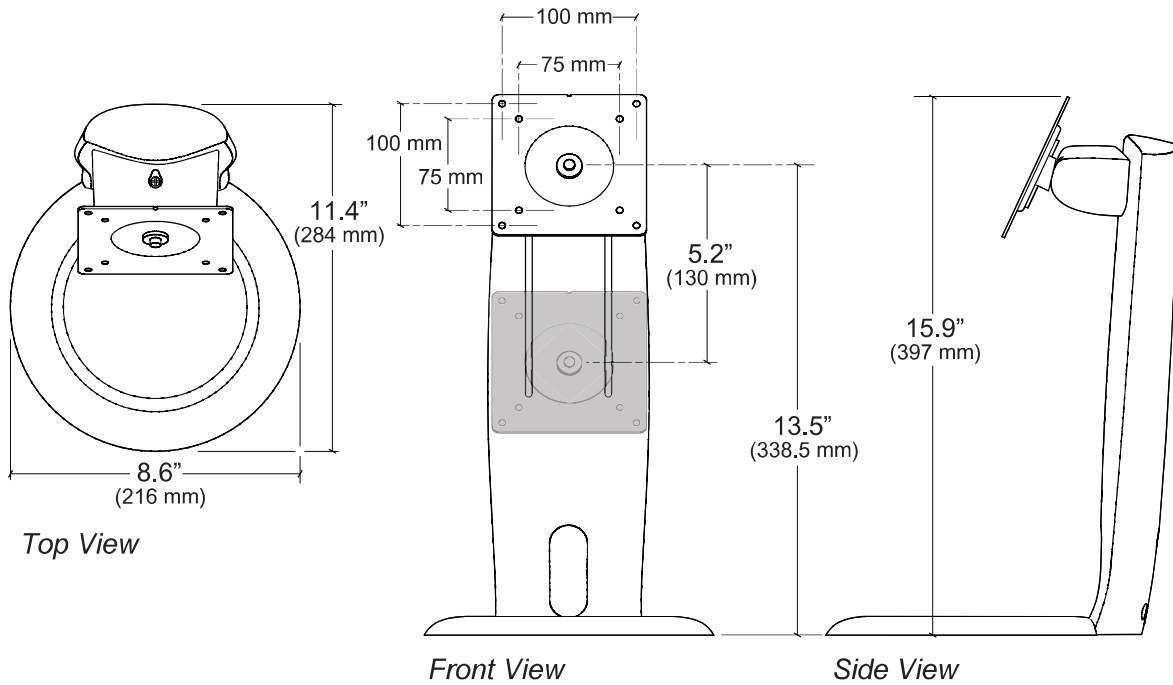
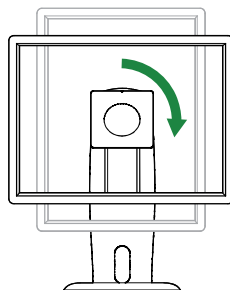
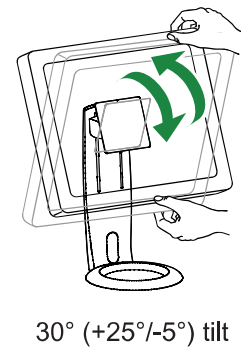
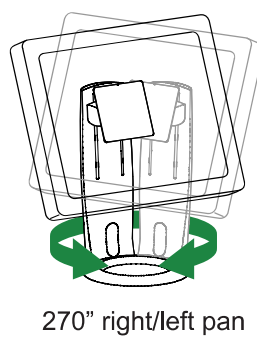
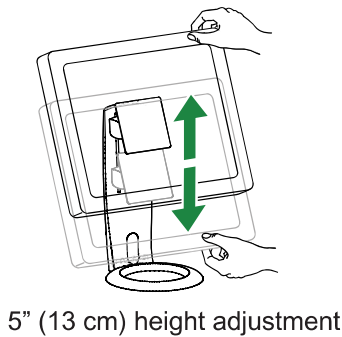


LCD Stand



Range of Motion



© 2013 Ergotron, Inc. rev. 06/11/21 DIM-067 Content is subject to change without notification.

**Americas Sales and Corporate Headquarter**

St. Paul, MN USA  
 (800) 888-8458  
 +1-651-681-7600  
 www.ergotron.com  
 inc@americas.ergotron.com

**EMEA Sales**

Amersfoort, The Netherlands  
 +31 33 45 45 600  
 www.ergotron.com  
 info.eu@ergotron.com

**APAC Sales**

Sydney, Australia  
 www.ergotron.com  
 apaccustomerservice@ergotron.com

**Worldwide OEM Sales**

www.ergotron.com  
 info.oem@ergotron.com

