

# Small Touch Display for Customer Engagement

## 23SE3TE

The 23SE3TE is a small digital signage that supports two-way communication with high touch performance. It effectively engages customers in various venues, such as in retail stores as a promotional board or in government/business offices as a reception device.



Sao Paulo



Seoul



# Small Touch Display for Customer Engagement

## 23SE3TE

### The Ultimate Touch Experience

#### Multi Touch for Versatile Uses

LG's cutting edge P-Cap touch technology enables the display to recognize up to 10 simultaneous touches. As a means of communication with customers, the 23SE3TE is the optimal choice for various applications.



#### Compatibility with Windows 8 Touch Driver

Compatible with all PCs and laptops in which a Windows 8 OS is installed, the touch function is easily implemented using USB plug-and-play. Users are able to apply their Windows-based solutions without difficulties.



# Small Touch Display for Customer Engagement

## 23SE3TE

### User Convenience

#### Landscape & Portrait Mode

The 23SE3TE supports both landscape and portrait mode, allowing it to be oriented in the desired position.



#### Easy Wall Mounting

Based on VESA™ standards, it can be easily attached to the wall using a dedicated wall bracket without the need for additional wall mount casing.



# Small Touch Display for Customer Engagement

## 23SE3TE

### Reliable Operation

#### Super Energy Saving

The LG's Super Energy Saving feature ensures the lower power consumption by controlling the backlight and adjusting screen brightness.

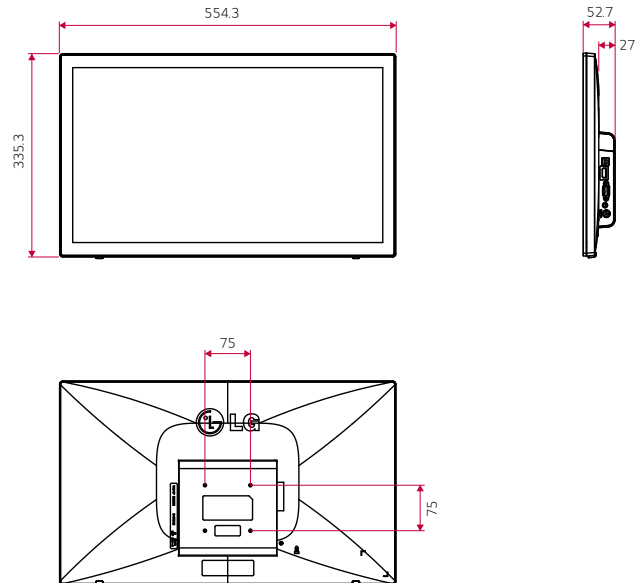
#### 16/7 days Operation

The display supports 16/7 operation, which enables reliable and effective operation.

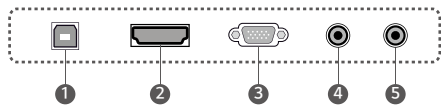


## Dimension (Unit: mm)

23"



## Connectivity



- 1 USB UP
- 2 HDMI IN
- 3 D-Sub (RGB) IN
- 4 Headphone OUT
- 5 DC-IN



## Specifications

23SE3TE

PANEL	Screen Size	23"
	Panel Technology	IPS
	Aspect Ratio	16:9
	Native Resolution	1,920 × 1,080 (FHD)
	Brightness	250 cd/m <sup>2</sup>
	Viewing Angle (H x V)	178 x 178
	Response Time	5 ms (G to G BW)
	Surface Treatment (Haze)	Hard Coating (3H), Anti-glare
	Life time (Typ.)	30,000 Hrs
	Operation Hours	16 Hrs
Orientation	Landscape & Portrait	
CONNECTIVITY	Input	HDMI, RGB, USB (UP, for Touch)
	Output	Headphone Out
PHYSICAL SPECIFICATION	Bezel Color	Black
	Bezel Width (On Bezel)	22.9 mm (T), 23.8 mm (B), 21.5 mm (L/R)
	Monitor Dimension (W x H x D)	555 × 335 × 53 mm
	Weight (Head)	3.9 kg
	Carton Dimensions (W x H x D)	631 × 120 × 412 mm
	Packed Weight	5.2 kg
	VESA™ Standard Mount Interface	75 × 75 mm
SPECIAL FEATURES	Power Indicator, Local Key Operation (Touch Key), Power Management (DPM, Energy Saving)	
ENVIRONMENT CONDITIONS	Operation Temperature Range	10°C to 35°C
	Operation Humidity Range	10% to 80%
POWER	Power Supply	100-240V~, 50/60Hz
	Power Type	Adapter
	Power Consumption	Typ. / Max. 25 W / 30 W
CERTIFICATION	Safety	CB
	EMC	FCC Class "A" / CE
	ErP / Energy Star	Yes / No
MEDIA PLAYER COMPATIBILITY	OPS Type Compatible	No
	External Media Player Attachable	No
ACCESSORIES	Basic	Adapter, USB Cable, RGB Cable, Easy Setup Guide, Warranty Card, Product Fiche, Regulatory
	Touch type	P-Cap (Ag Metal Mesh)
TOUCH	Interface	USB (UP)
	Operating System Support	Windows 8, Windows 10
	Multi touch point	Max 10 Points

Download LG Commercial Display Mobile App



- [www.lg.com/b2b](http://www.lg.com/b2b)
- [youtube.com/c/LGCommercialDisplay](https://www.youtube.com/c/LGCommercialDisplay)
- <https://www.facebook.com/LGInformationDisplay/>
- <https://www.linkedin.com/company-beta/16235211/>

LG may make changes to specifications and product descriptions without notice.  
Copyright © 2018 LG Electronics Inc. All rights reserved. "LG Life's Good" is a registered trademark of LG Corp.  
The names of products and brands mentioned here may be the trademarks of their respective owners.

